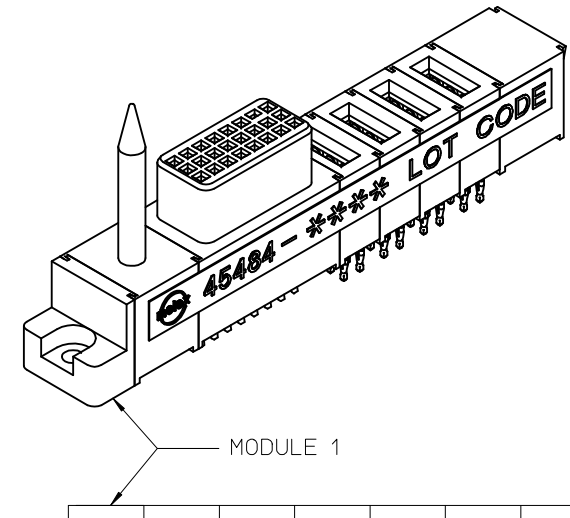
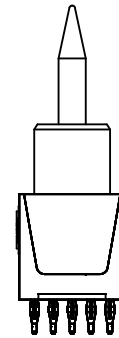


NOTES:

1. MATERIAL: LCP, GLASS FILLED, UL94V-0, BLACK.
CONTACTS: COPPER ALLOY
2. FINISH: SELECT GOLD: 30 MI MIN.
SELECT TIN: 100 MI MIN.
BOTH OVER NICKEL.
3. PRODUCT SPECIFICATION: PS-45424-001.
4. PACKAGING SPECIFICATION: PK-45484-001.
5. PCB HOLE SPECIFICATION: PS-45424-001.



PCB LAYOUT: COMPONENT SIDE
PCB THICKNESS: 2.36/.093
PCB TOLERANCE: ±0.05/.002

ADDED STANDOFF	DESCRIPTION
EC NO: UCP2006-0614	
DRWN: ADRTNOL 2005/09/27	
CHKD: KSAWIEC 2005/09/30	
APPR: APATEL 2005/09/30	
B	REV

GENERAL TOLERANCES (UNLESS SPECIFIED)

	mm	INCH
4 PLACES	± ---	± ---
3 PLACES	± ---	± .010
2 PLACES	± 0.25	± .015
1 PLACE	± 0.38	± ---

ANGULAR ±1/2°

DRAFT WHERE APPLICABLE
MUST REMAIN
WITHIN DIMENSIONS

DIMENSION STYLE
MM/IN

DRAWN BY	DATE
DRATNOL	2004/11/11
CHECKED BY	DATE
SAMIEC	2004/11/11
APPROVED BY	DATE
MARGULIS	2004/11/11

MATERIAL NO.
45484-0105

SIZE
A

SCALE
1:1

DESIGN UNITS
METRIC

THIRD ANGLE
PROJECTION

TITLE
POWER DOCK ASSEMBLY
SOCKET
VERTICAL CPI

MOLEX MOLEX INCORPORATED

DOCUMENT NO. SD-45484-105 SHEET NO. 1 OF 1