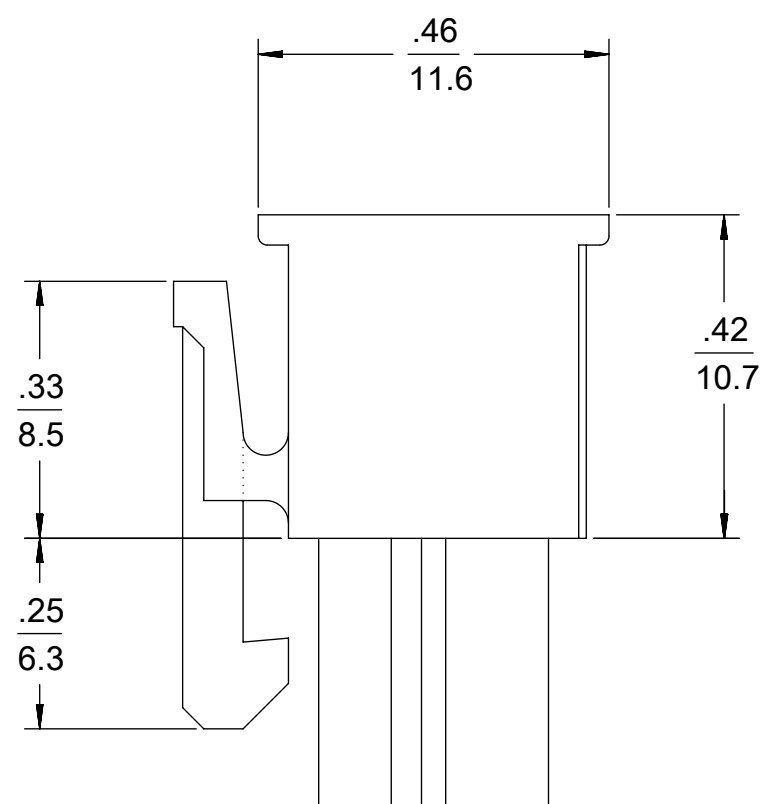
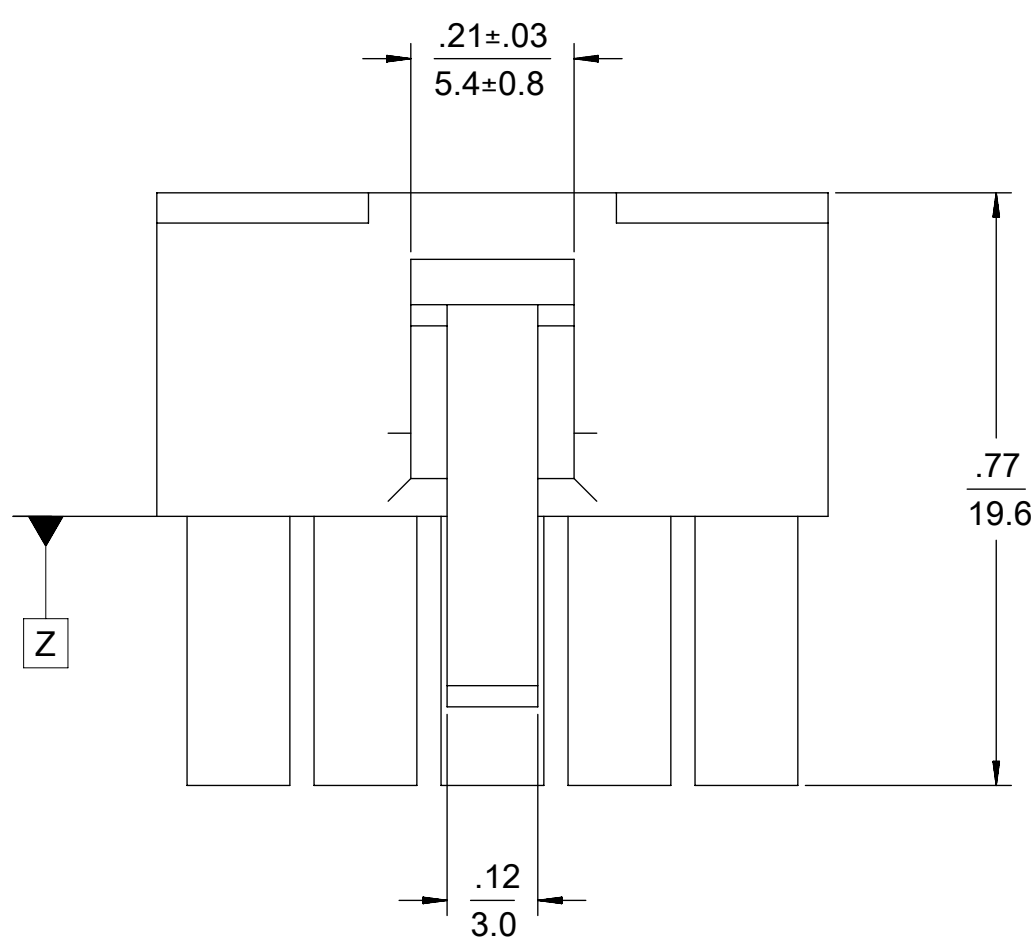


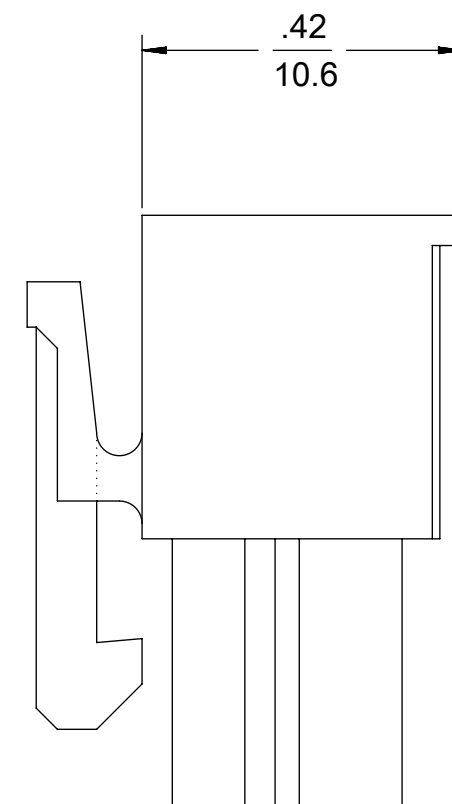
4 CKT SHOWN

NOTES:

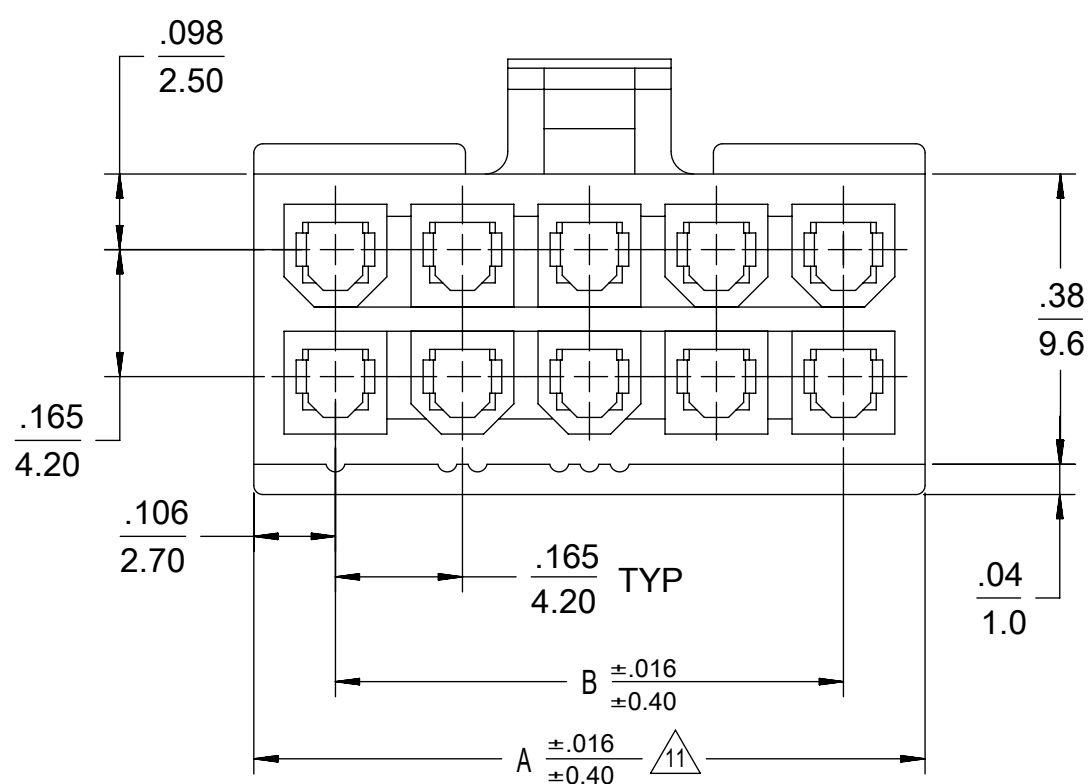
- 1) MATERIAL:
 - "BLANK" = NYLON 6/6, UNFILLED UL94V-2, COLOR: NATURAL.
 - "BL" = NYLON 6/6, UNFILLED UL94V-2, COLOR: BLACK.
 - "BU" = NYLON 6/6, UNFILLED UL94V-2, COLOR: BLUE.
 - "RE" = NYLON 6/6, UNFILLED UL94V-2, COLOR: RED.
 - "YE" = NYLON 6/6, UNFILLED UL94V-2, COLOR: YELLOW.
 - "GRE" = NYLON 6/6, UNFILLED UL94V-2, COLOR: GREEN.
 - "210" = NYLON 6/6, UNFILLED UL94V-0, COLOR: NATURAL.
 - "400" = NYLON 6/6, UNFILLED UL94V-0, COLOR: BLACK.
- 2) FINISH: NOT APPLICABLE
- 3) PRODUCT SPECIFICATION: PS-5556-001
- 4) PACKAGING: BULK PACKED PER PK-5557-002
- 5) PART MATES WITH MOLEX PLUG #5559 AND HEADERS #5566, #5569.
- 6) PART TO BE USED WITH MOLEX FEMALE TERMINAL #5556.
- 7) PART IS NOT DESIGNED FOR CURRENT SHARING.
- 8) CONNECTORS ARE NOT TO BE MATED OR UNMATED WHILE CIRCUITS ARE LIVE.
- 9) WIRES ARE TO BE DRESSED IN SUCH A MANNER TO ALLOW THE TERMINALS TO FLOAT FREELY IN THE POCKET.
- 10) PART CONFORMS TO CLASS "B" REQUIREMENTS OF COSMETIC SPECIFICATION PS-45499-002 WITH THE EXCEPTION OF DISCOLORATION, FLASH AND SINK MEET CLASS "C" REQUIREMENTS.
- 11) TO BE MEASURED AT SURFACE Z
- 12) TEXT ON PART IS FOR REFERENCE ONLY. TEXT AND TEXT LOCATION MAY VARY DEPENDING ON PART NUMBER AND/OR TOOL.
- 13) BUBBLE IS ACCEPTABLE ON LATCH AREA.



4-24 CKT



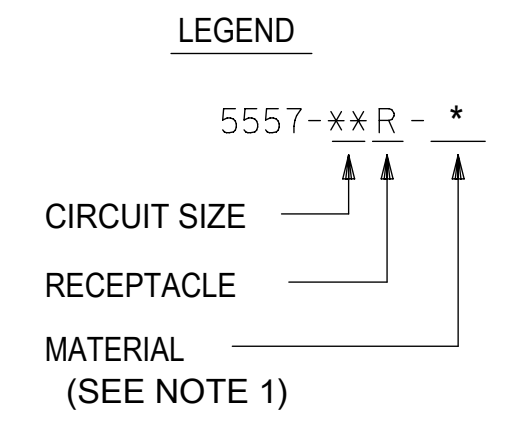
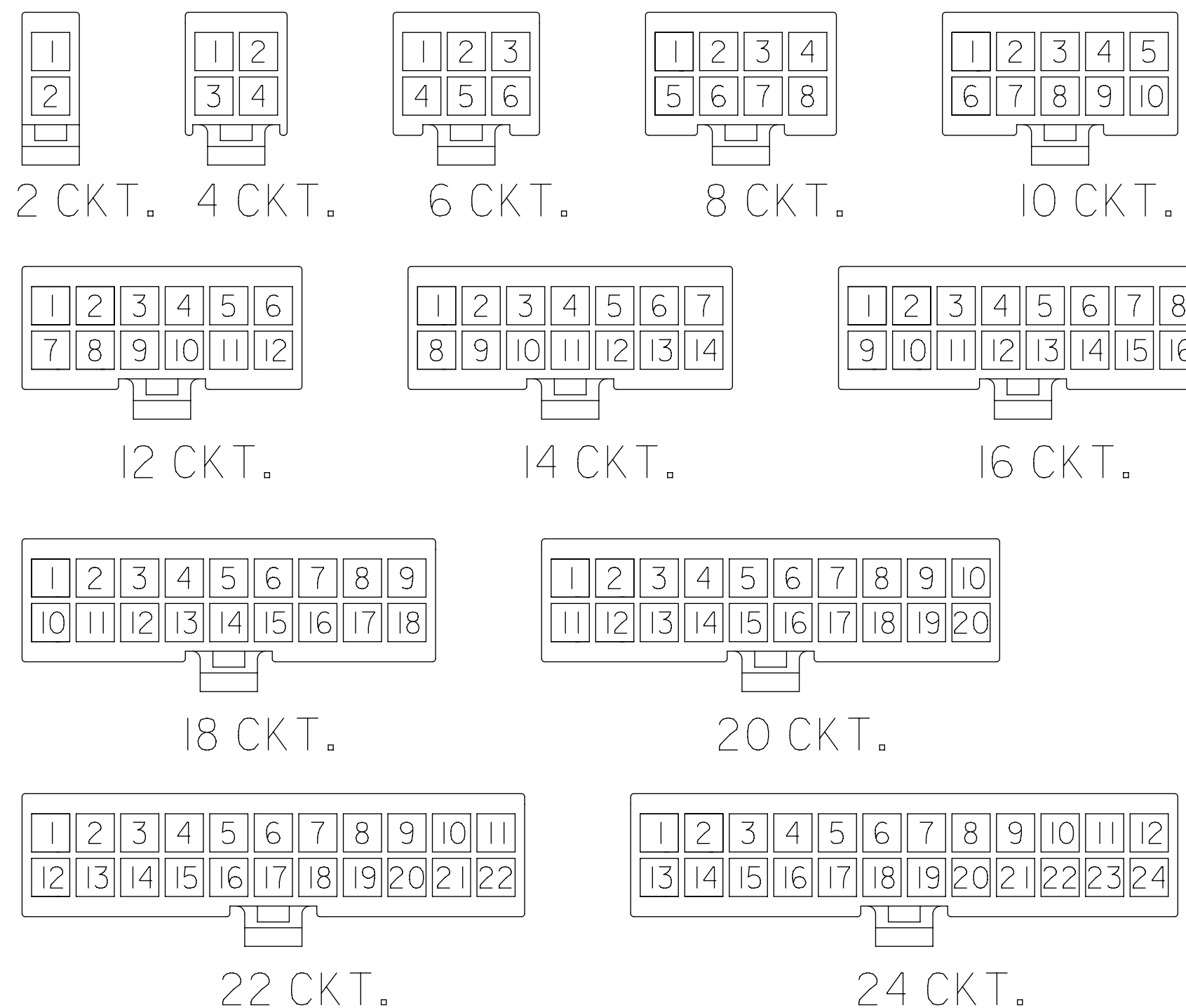
2 CKT ONLY



| | | |
|---------------|---------------|--------------|
| 2.031/(51.60) | 1.819/(46.20) | 24 |
| 1.866/(47.40) | 1.654/(42.00) | 22 |
| 1.701/(43.20) | 1.488/(37.80) | 20 |
| 1.535/(39.00) | 1.323/(33.60) | 18 |
| 1.370/(34.80) | 1.157/(29.40) | 16 |
| 1.205/(30.60) | 0.992/(25.20) | 14 |
| 1.039/(26.40) | 0.827/(21.00) | 12 |
| 0.874/(22.20) | 0.661/(16.80) | 10 |
| 0.709/(18.00) | 0.496/(12.60) | 8 |
| 0.543/(13.80) | 0.331/(8.40) | 6 |
| 0.378/(9.60) | 0.165/(4.20) | 4 |
| 0.213/(5.40) | — | 2 |
| A | B | NO. OF CKTS. |

THIS DRAWING CONTAINS INFORMATION THAT IS PROPRIETARY TO MOLEX ELECTRONIC TECHNOLOGIES, LLC AND SHOULD NOT BE USED WITHOUT WRITTEN PERMISSION

| DIMENSION UNITS | SCALE | | CURRENT REV DESC: | | DOCUMENT NUMBER | | DOC TYPE | | DOC PART | | REVISION |
|---------------------------------------|--------|---------|--|---------|-----------------|-----------------|------------|----------------|------------|--------------|----------|
| INCH | MM | INCH | EC NO: | DRWN: | CHK'D: | APPR: | DATE | DATE | DATE | DATE | DATE |
| INCH | MM | INCH | 719028 | JERRYW8 | XQZHANG | XQZHANG | 2022/08/22 | 2022/09/01 | 2022/09/01 | SD-5557-003 | |
| GENERAL TOLERANCES (UNLESS SPECIFIED) | | | INITIAL REVISION: | | | DOCUMENT NUMBER | | DOC TYPE | | DOC PART | |
| 4 PLACES | ± | ± | DRWN: S.MOCHIZUKI | | | SD-5557-003 | | PSD | | 000 J20 | |
| 3 PLACES | ± | ± 0.01 | APPR: FSMITH | | | SD-5557-003 | | PSD | | 000 J20 | |
| 2 PLACES | ± 0.25 | ± 0.015 | ANGULAR TOL ± 0.5° | | | SD-5557-003 | | PSD | | 000 J20 | |
| 1 PLACE | ± 0.38 | ± | DRAFT WHERE APPLICABLE MUST REMAIN WITHIN DIMENSIONS | | | SD-5557-003 | | PSD | | 000 J20 | |
| 0 PLACES | ± | ± | THIRD ANGLE PROJECTION | | | SD-5557-003 | | PSD | | 000 J20 | |
| DRAWING | | | SERIES | | | MATERIAL NUMBER | | CUSTOMER | | SHEET NUMBER | |
| C-SIZE | | | 5557 | | | SEE TABLE | | GENERAL MARKET | | 1 OF 2 | |



**CIRCUIT SIZE LAYOUT
(NOT TO SCALE)**

| V-0 (BLACK) | | | V-0 (NATURAL) | | |
|-------------|--------------|--------------|---------------|--------------|--------------|
| 39-03-9242 | 5557-24R-400 | 24 | 39-01-2245 | 5557-24R-210 | 24 |
| - | - | 22 | 39-01-2225 | 5557-22R-210 | 22 |
| - | - | 20 | 39-01-2205 | 5557-20R-210 | 20 |
| 39-03-9182 | 5557-18R-400 | 18 | 39-01-2185 | 5557-18R-210 | 18 |
| 39-03-9162 | 5557-16R-400 | 16 | 39-01-2165 | 5557-16R-210 | 16 |
| 39-03-9142 | 5557-14R-400 | 14 | 39-01-2145 | 5557-14R-210 | 14 |
| 39-03-9122 | 5557-12R-400 | 12 | 39-01-2125 | 5557-12R-210 | 12 |
| 39-03-9102 | 5557-10R-400 | 10 | 39-01-2105 | 5557-10R-210 | 10 |
| 39-03-9082 | 5557-08R-400 | 8 | 39-01-2085 | 5557-08R-210 | 8 |
| 39-03-9062 | 5557-06R-400 | 6 | 39-01-2065 | 5557-06R-210 | 6 |
| 39-03-9042 | 5557-04R-400 | 4 | 39-01-2045 | 5557-04R-210 | 4 |
| 39-03-9022 | 5557-02R-400 | 2 | 39-01-2025 | 5557-02R-210 | 2 |
| EDP. NO. | ENG. NO. | NO. OF CKTS. | EDP. NO. | ENG. NO. | NO. OF CKTS. |

* = CONSULT FACTORY FOR AVAILABILITY.

| V-2 (BLUE) | | | V-2 (GREEN) | | | V-2 (YELLOW) | | | V-2 (RED) | | | V-2 (BLACK) | | | V-2 (NATURAL) | | |
|------------|------------|--------------|-------------|----------|--------------|--------------|----------|--------------|--------------|-------------|--------------|-------------|-------------|--------------|---------------|----------|--------------|
| | | 24 | | | 24 | | | 24 | - | - | 24 | - | - | 24 | 39-01-2240 | 5557-24R | 24 |
| | | 22 | | | 22 | | | 22 | - | - | 22 | 39-01-3225 | 5557-22R-BL | 22 | 39-01-2220 | 5557-22R | 22 |
| | | 20 | | | 20 | | | 20 | - | - | 20 | - | - | 20 | 39-01-2200 | 5557-20R | 20 |
| | | 18 | | | 18 | | | 18 | - | - | 18 | - | - | 18 | 39-01-2180 | 5557-18R | 18 |
| | | 16 | | | 16 | | | 16 | - | - | 16 | - | - | 16 | 39-01-2160 | 5557-16R | 16 |
| | | 14 | | | 14 | | | 14 | - | - | 14 | - | - | 14 | 39-01-2140 | 5557-14R | 14 |
| | | 12 | | | 12 | | | 12 | - | - | 12 | 39-01-3125 | 5557-12R-BL | 12 | 39-01-2120 | 5557-12R | 12 |
| * | 39-02-7108 | 5557-10R-BU | 10 | | 10 | | | 10 | - | - | 10 | 39-01-3105 | 5557-10R-BL | 10 | 39-01-2100 | 5557-10R | 10 |
| | | 8 | | | 8 | | | 8 | - | - | 8 | 39-01-3085 | 5557-08R-BL | 8 | 39-01-2080 | 5557-08R | 8 |
| | | 6 | | | 6 | | | 6 | 39-02-8060 | 5557-06R-RE | 6 | 39-01-3065 | 5557-06R-BL | 6 | 39-01-2060 | 5557-06R | 6 |
| | | 4 | | | 4 | | | 4 | * 39-02-8040 | 5557-04R-RE | 4 | 39-01-3045 | 5557-04R-BL | 4 | 39-01-2040 | 5557-04R | 4 |
| | | 2 | | | 2 | | | 2 | - | - | 2 | 39-01-3025 | 5557-02R-BL | 2 | 39-01-2020 | 5557-02R | 2 |
| EDP. NO. | ENG. NO. | NO. OF CKTS. | EDP. NO. | ENG. NO. | NO. OF CKTS. | EDP. NO. | ENG. NO. | NO. OF CKTS. | EDP. NO. | ENG. NO. | NO. OF CKTS. | EDP. NO. | ENG. NO. | NO. OF CKTS. | EDP. NO. | ENG. NO. | NO. OF CKTS. |

THIS DRAWING CONTAINS INFORMATION THAT IS PROPRIETARY TO MOLEX ELECTRONIC TECHNOLOGIES, LLC AND SHOULD NOT BE USED WITHOUT WRITTEN PERMISSION

DIMENSION UNITS: INCH NTS SCALE

GENERAL TOLERANCES (UNLESS SPECIFIED):

| | | | | |
|-------------|---|------|---|-------|
| 4 PLACES | ± | MM | ± | INCH |
| 3 PLACES | ± | 0.25 | ± | 0.015 |
| 2 PLACES | ± | 0.38 | ± | |
| 1 PLACE | ± | | ± | |
| 0 PLACES | ± | | ± | |
| ANGULAR TOL | ± | 0.5° | | |

CURRENT REV DESC:

EC NO: 719028
 DRWN: JERRYW8 2022/08/22
 CHK'D: XQZHANG 2022/09/01
 APPR: XQZHANG 2022/09/01

INITIAL REVISION:
 DRWN: S.MOCHIZUKI 1990/02/22
 APPR: FSMITH 2011/02/21

THIRD ANGLE PROJECTION

DRAFT WHERE APPLICABLE MUST REMAIN WITHIN DIMENSIONS

molex

MINIFIT JR
 RECEPTACLE HOUSING DUAL ROW 2-24 CKT

PRODUCT CUSTOMER DRAWING

DOCUMENT NUMBER: SD-5557-003
 DOC TYPE: PSD
 DOC PART: 000
 REVISION: J20

MATERIAL NUMBER: SEE TABLE
 CUSTOMER: GENERAL MARKET
 SHEET NUMBER: 2 OF 2