

CRYSTAL UNIT

32.768KHZ

YST310S



Applications

- RTC.

Features

- Dimensions: 3.20 x 1.50 x 0.75 mm.
- High precision and high frequency stability.
- Standard Frequency: 32.768KHz
- Excellent heat resistance and environmental characteristics.

Specifications

Standard Frequency	32.768 KHz
Load Capacitance	7pF, 9pF, 12.5pF, or specify
Frequency Tolerance (at 25 °C)	±10ppm, ±20ppm, or specify
Parabolic Coefficient	$(-0.03 \pm 0.01) * 10^{-6} / ^\circ\text{C}^2$
Operating Temperature	-20~+70°C, -40~+85°C, or specify
Storage Temperature	-55~+125°C
Shunt Capacitance	1.2 pF Max.
Motional Capacitance	4.4fF
Level of Drive	1.0µWMax
Aging (at 25 °C)	±3ppm/year Max.

Equivalent Series Resistance(ESR)

YST310S
70K Ω Max.

Dimensions and Patterns [unit:mm]

Package Size – Dimensions (Unit: mm)

Top View: 3.2±0.1 mm width, 1.5±0.1 mm height. Marking area is shown.

Side View: 0.75±0.1 mm thickness.

Bottom View: 1.70 mm width between mounting tabs.

Top View Crystal Connection: Shows the internal connection pads.

Top View Suggested Layout: Shows the overall dimensions for mounting: 1.0 mm tab width, 1.50 mm central area, 1.0 mm tab width, and 1.80 mm total height.

Marking: "YXC32XX" or "0XXXX"

Units: mm

CRYSTAL UNIT

32.768KHZ

YST310S

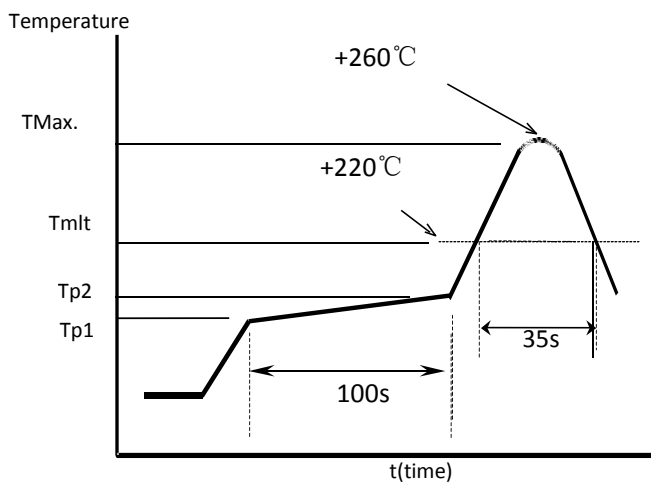


Reflow Soldering Profile

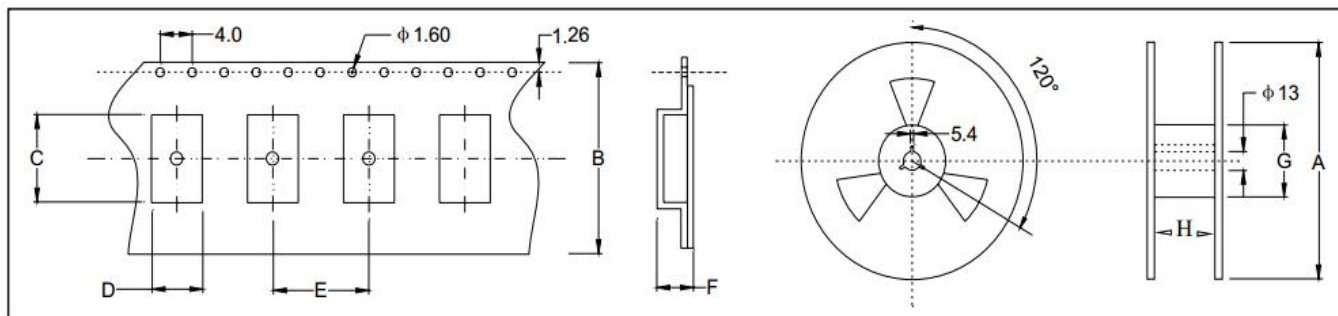
Pre Heating Temperature
 Tp1 ~ Tp2 = + 170 °C
 Heating Temperature
 TMI = + 220 °C
 Peak Temperature
 TMax. = + 260 °C

Point of measuring
 In case of Solder ability

Terminal.
 In case of Resistance to soldering heat
 Surface.



Taping Specification(Unit: mm)



Size	A	B	C	D	E	F	G	H
SMD-3215	180±2.0	12.0±0.3	3.45±0.1	1.75±0.1	4.0±0.1	1.05±0.1	61.0±1.0	12.0±1.0

3000 pcs per reel