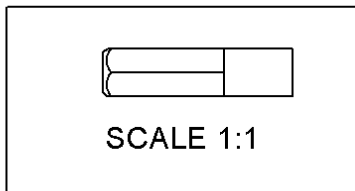
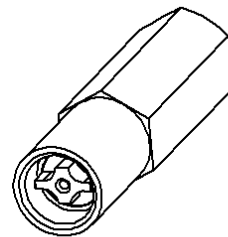
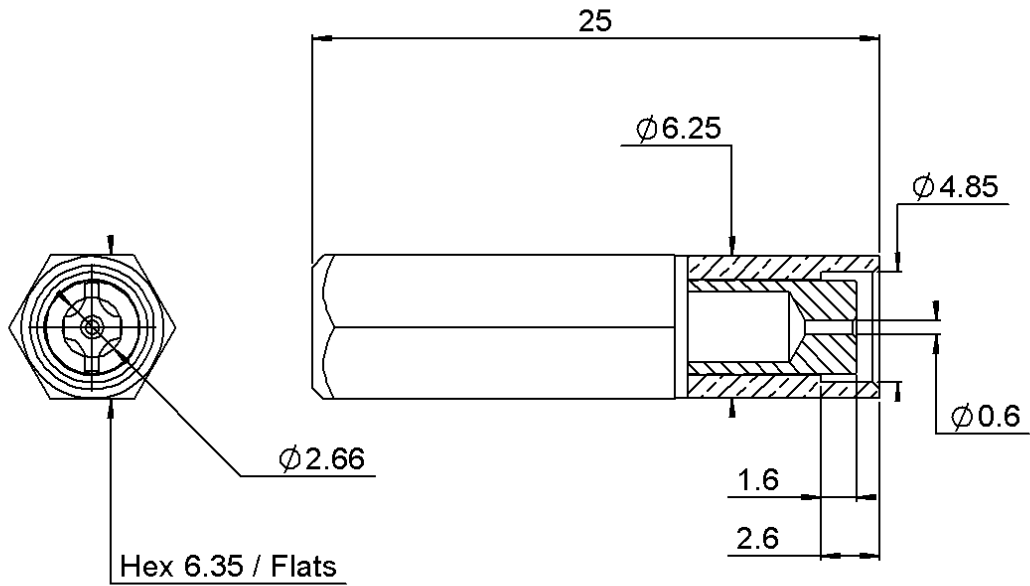
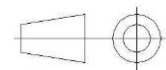


PAGE 1/1	ISSUE 09-09-15A	SERIES OUT	PART NUMBER R282360004
----------	------------------------	-------------------	-------------------------------



All dimensions are in mm.



Function:	To Screw SMP L LD.
Principal materials:	Stainless Steel
Weight:	4.86 g
Packaging:	Unitary in plastic bag in cardboard box.