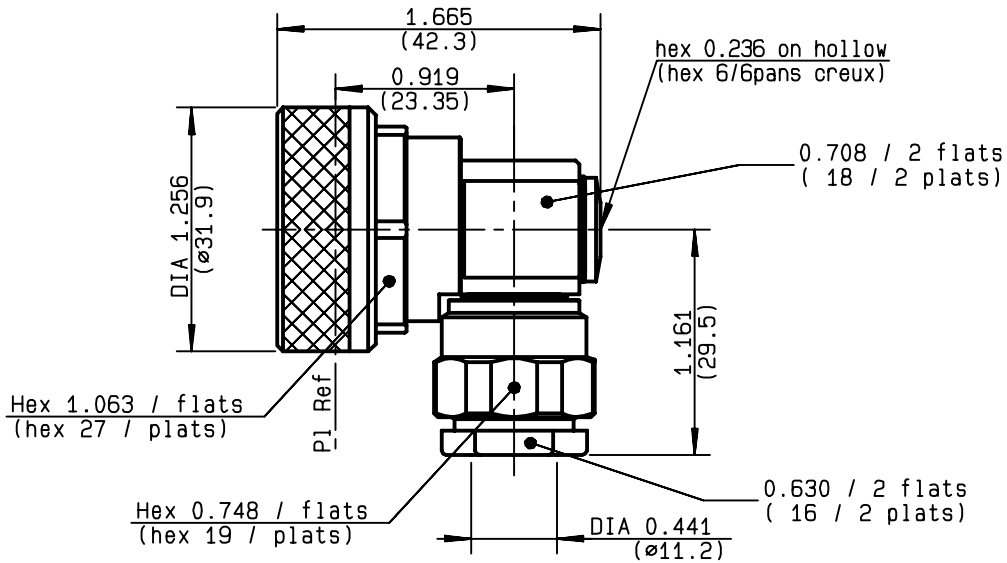


**RIGHT ANGLE PLUG CLAMP TYPE
CABLE 10+11/50**

R185.160.000
SERIES 7-16



NOMINAL IMPEDANCE	50 Ω
FREQUENCY RANGE	0-7.5 GHz
TEMPERATURE RATING	-55/+155 °C
V.S.W.R	* + x F(GHz)Maxi
RF INSERTION LOSS	0.05 √F(GHz) dB Maxi
VOLTAGE RATING	1400 Veff Maxi
DIELECTRIC WITHSTANDING VOLTAGE	2700 Veff Mini
INSULATION RESISTANCE	10000 MΩMini
HERMETIC SEAL	NA Atm.cm ³ /s
LEAKAGE (pressurized only)	NA
MECHANICAL DURABILITY	500 Cycles
WEIGHT	131.4 gr
SPECIFICATION	

CABLES :	KX 13
	KX 4
	RG 213
	RG 214
	RG 225
OTHERS CHARACTERISTICS	
	* ROS : 1.15 a 3 GHz
CABLE RETENTION	250 N Mini
CENTER CONTACT RETENTION	
Axial force - mating end	200 N Mini
Axial force - opposite end	100 N Mini
Torque	2 cm.N Mini
RECOMMENDED TORQUES	
Mating	3000 cm.N
Panel nut	NA cm.N
Clamp nut	800 cm.N

CONNECTOR PARTS	MATERIALS	FINISH	(all values are given) in micrometers
BODY	BRASS	BBR 0.5 OVER SILVER 3	
OUTER CONTACT	BRASS	SILVER 5 OVER COPPER 0.5	
CENTER CONTACT	BRASS	SILVER 5 OVER COPPER 0.5	
INSULATOR	PTFE	-	
GASKET	SILICONE RUBBER	-	
OTHERS PIECES	BRASS	BBR 2	

ISSUE	CREATION DATE	FILE PART-NUMBER
9944F00	11/05/1994	EPC96-02



RADIALL®

GAUTIER

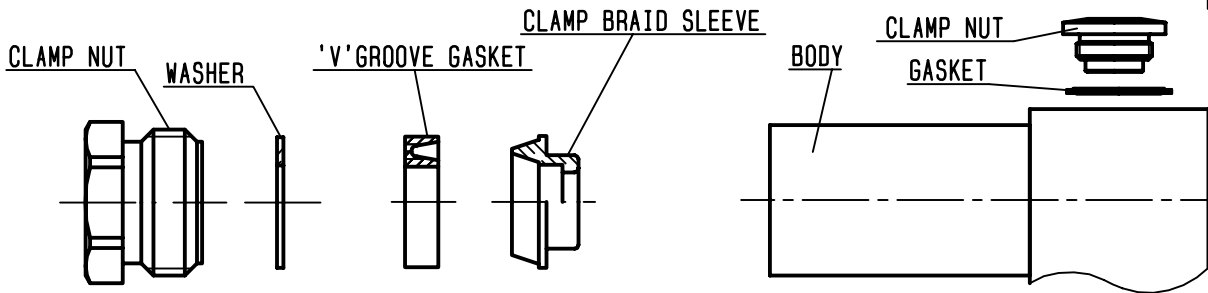
The information given here is subject to change without notice.
Design changes may be in order to improve the product .

Connect to the future



R185.160.000

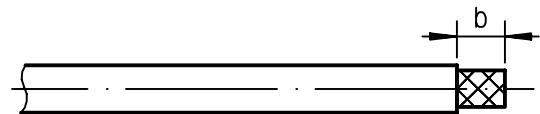
ISSUE 9944F00 SERIES 7-16



①

Strip the cable .

-
-
-
-



Stripping	a	b	c	d	e
inch	0.118	0.512	0	0	0.315
mm	3	13			8

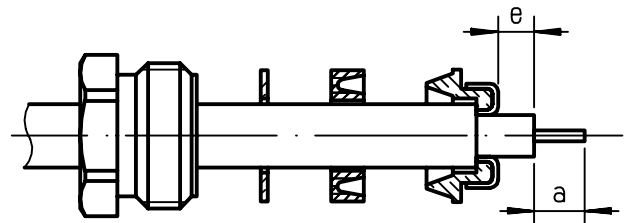
②

Slide the clamp nut and the 'V' groove gasket onto the cable .

Slide clamp braid sleeve over braid .
Fold back braid and trim off surplus braid .

Trim back dielectric as shown .

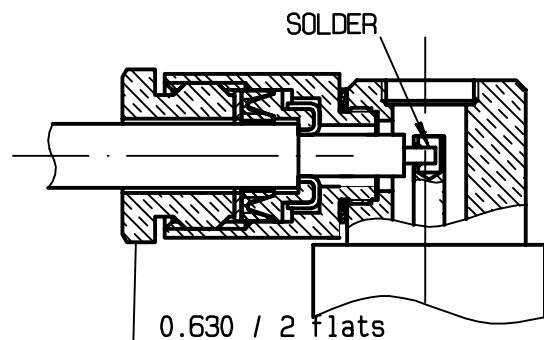
-



③

Screw sub-assembly into the connector body .
(recommended coupling torque 70.87 in.lb)

-
-



④

Tightly screw the cap with gasket onto connector body .

-
-
-
-

