

CARD SLOT THICKNESS	"A"	"G"
-02	.072 [1.83]	.0265 [6.73]

EDGE MOUNT OPTION	"B"	"C"	"D"	"E"	"F"
-EM1	.016 [4.1]	.027 [6.9]	.185 [4.70]	.05 [1.3]	.126 [3.20]
-EM2	.054 [1.37]	.058 [1.47]	.195 [4.95]	.04 [1.0]	.108 [2.74]

MEC1-1XX-XX-XX-D-EMX-XX

No OF POSITIONS

-05, -08, -20, -30, -40, -50, -60 & -70 (PER ROW)

CARD SLOT THICKNESS

-02: .062 THICK CARD (USE MEC1-XX-S-D-EMX-X) (SEE TABLE 1)

PLATING

-F: FLASH GOLD (USE C-150-07-F-P)
 -L: LIGHT SELECTIVE GOLD (USE C-150-07-L-P)
 -S: SELECTIVE GOLD (USE C-150-07-S-P)
 -FM: FLASH GOLD SELECTIVE, MATTE TIN TAIL (USE C-150-07-F-P)
 -LM: LIGHT SELECTIVE GOLD, MATTE TIN TAIL (USE C-150-07-L-P)
 -SM: SELECTIVE GOLD, MATTE TIN TAIL (USE C-150-07-S-P)

OPTIONS

-NP: NO POLARIZED POSITION (USE MEC1-XX-X-D-EMX-N) (ONLY AVAILABLE ON -05, -08, -20 & -30 POSITIONS)
 -TR: (SEE PAGE 2 -TR PACKAGE VIEW, NOT AVAILABLE FOR -60 OR -70 POS.)
 -BLANK: BODY IS POLARIZED

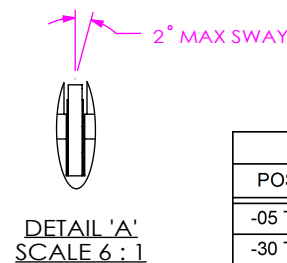
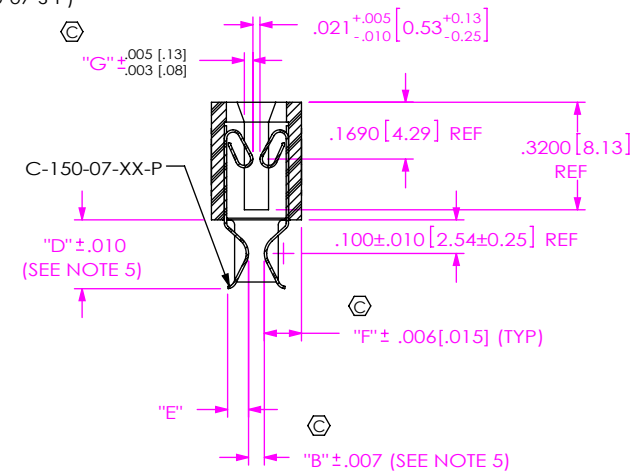
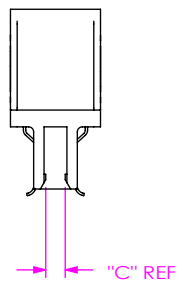
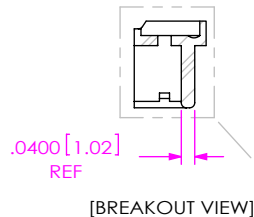
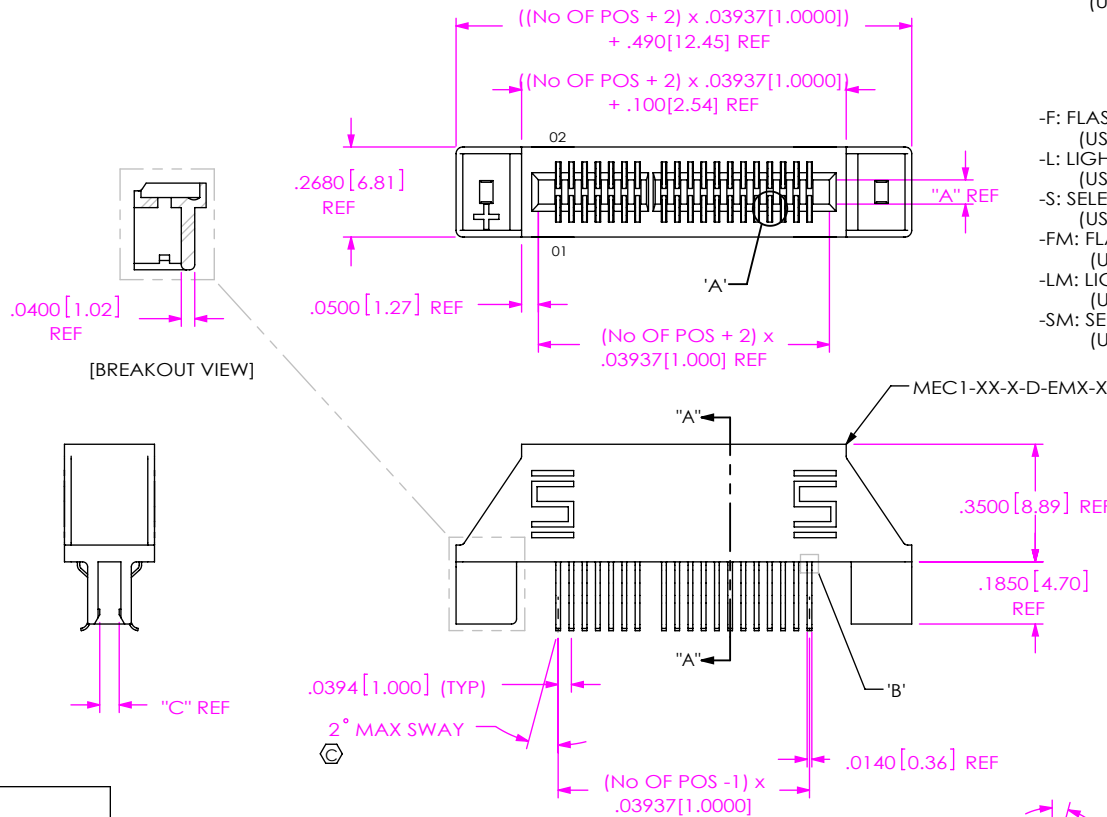
EDGE MOUNT OPTION

-EM1: .031 THICK PCB
 -EM2: .062 THICK PCB (SEE TABLE 3)

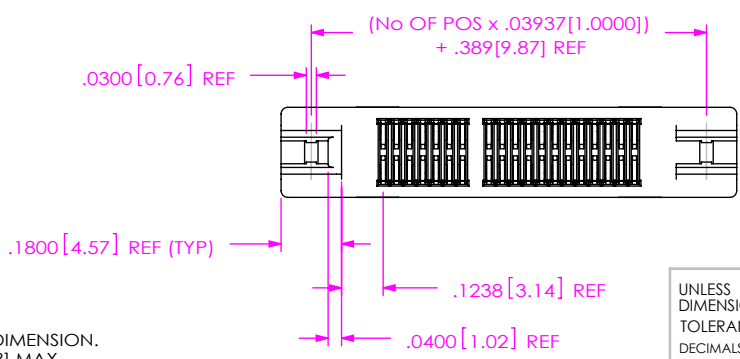
ROW SPECIFICATION

-D: DOUBLE (USE MEC1-XX-X-D-EMX-X)

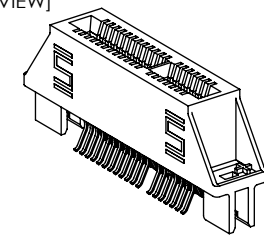
* NOT ENGINEERING APPROVED



POSITIONS	POLARIZATION RIB POSITIONS
-05	03 & 04
-08	05 & 06
-20	15 & 16
-30	21 & 22
-40	31 & 32
-50	41 & 42
-60	31 & 32, 63 & 64
-70	53 & 54, 115 & 116



POSITIONS	MAX BOW (T/B)
-05 THRU -20	.0025 [0.064]
-30 THRU -50	.0040 [0.102]
-60 THRU -70	.0055 [0.140]



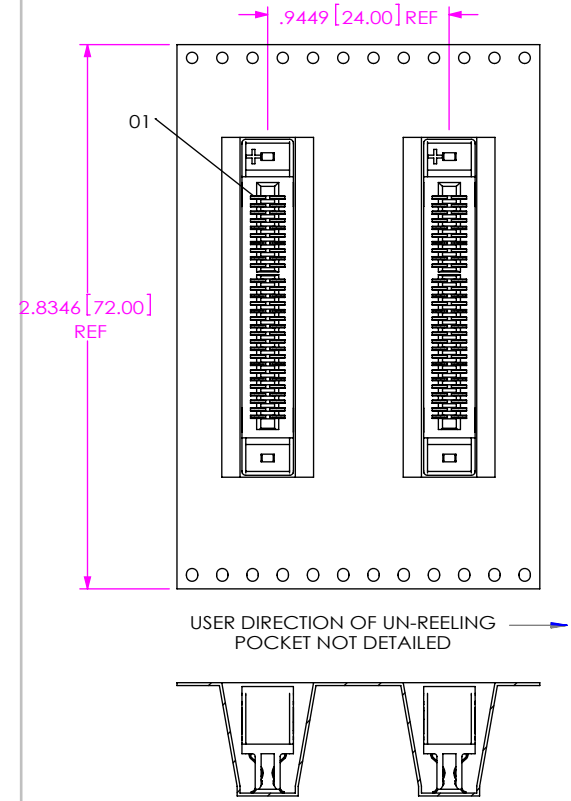
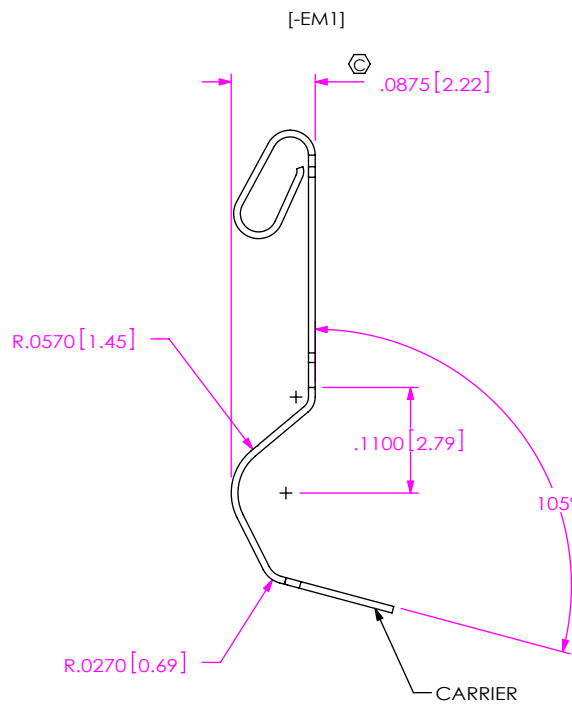
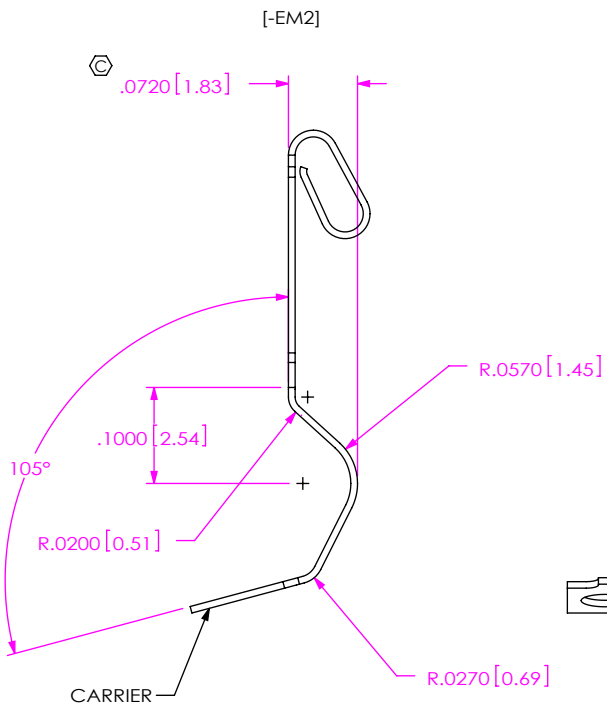
- NOTES:
- ⊕ REPRESENTS A CRITICAL DIMENSION.
 - BURR ALLOWANCE: .0015 [0.038] MAX.
 - MINIMUM PUSHOUT FORCE: .5 LB.
 - DELETED.
 - .020 [0.51] MAX VARIATION ON ONE PART.
 - .0040 [0.102] MAX ALLOWABLE BURR ON TAILS.
 - DELETED.
 - .0050 [0.127] MAX BARB PROTRUSION BELOW BODY.
 - PART TO BE TRAY PACKAGED USING TRAY-XX-01.

UNLESS OTHERWISE SPECIFIED, DIMENSIONS ARE IN INCHES. TOLERANCES ARE:
 DECIMALS ANGLES
 .XX: ±.01 [3] 2°
 .XXX: ±.005 [13]
 .XXXX: ±.0020 [051]

PROPRIETARY NOTE
 THIS DOCUMENT CONTAINS CONFIDENTIAL AND PROPRIETARY INFORMATION AND ALL DESIGN, MANUFACTURING, REPRODUCTION, USE, PATENT RIGHTS AND SALES RIGHTS ARE EXPRESSLY RESERVED BY SAMTEC, INC. THIS DOCUMENT SHALL NOT BE DISCLOSED, IN WHOLE OR PART, TO ANY UNAUTHORIZED PERSON OR ENTITY NOR REPRODUCED, TRANSFERRED OR INCORPORATED IN ANY OTHER PROJECT IN ANY MANNER WITHOUT THE EXPRESS WRITTEN CONSENT OF SAMTEC, INC.



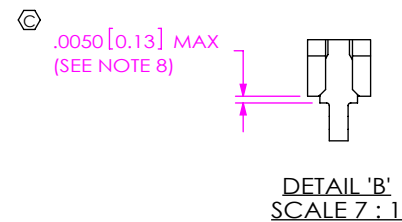
520 PARK EAST BLVD, NEW ALBANY, IN 47150
 PHONE: 812-944-6733 FAX: 812-948-5047
 e-Mail: info@SAMTEC.com code: 55322



-TR PACKAGING VIEW
MEC1-130-02-*-D-EM2-TR SHOWN

PACKAGING VIEW
[PARTS TO HAVE POSITION #1 LOADED IN SAME DIRECTION FOR ALL PARTS]

TABLE 6		PARTS PER TRAY
POSITIONS	USE TRAY	
-05	TRAY-MEC1001-PR-05-AP-T-B	66
-08	TRAY-MEC1002-PR-08-AP-T-B	66
-20	TRAY-MEC1003-PR-20-AP-T-B	55
-30	TRAY-MEC1004-PR-30-AP-T-B	11
-40	TRAY-MEC1005-PR-40-AP-T-B	33
-50	TRAY-MEC1006-PR-50-AP-T-B	33
-60	TRAY-MEC1007-PR-60-AP-T-B	22
-70	TRAY-MEC1008-PR-70-AP-T-B	22



PROPRIETARY NOTE
THIS DOCUMENT CONTAINS CONFIDENTIAL AND PROPRIETARY INFORMATION AND ALL DESIGN, MANUFACTURING, REPRODUCTION, USE, PATENT RIGHTS AND SALES RIGHTS ARE EXPRESSLY RESERVED BY SAMTEC, INC. THIS DOCUMENT SHALL NOT BE DISCLOSED, IN WHOLE OR PART, TO ANY UNAUTHORIZED PERSON OR ENTITY NOR REPRODUCED, TRANSFERRED OR INCORPORATED IN ANY OTHER PRODUCT IN ANY MANNER WITHOUT THE EXPRESS WRITTEN CONSENT OF SAMTEC, INC.

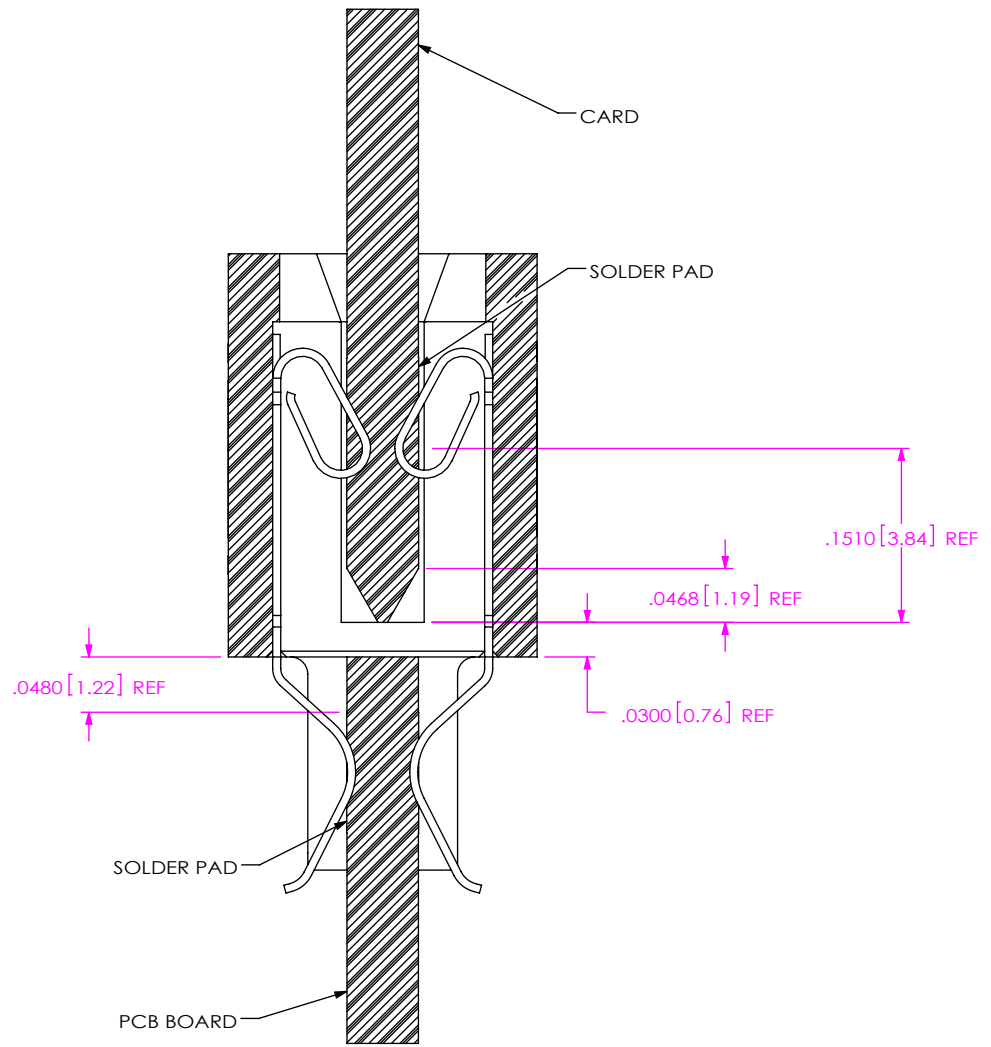
DO NOT SCALE DRAWING
SHEET SCALE: 1.75:1

520 PARK EAST BLVD, NEW ALBANY, IN 47150
PHONE: 812-944-6733 FAX: 812-948-5047
e-Mail: info@SAMTEC.com code: 55322

DESCRIPTION:
1mm MINI-EDGE, EDGE MOUNT ASSEMBLY

DWG. NO.
MEC1-1XX-XX-XX-D-EMX-XX

BY: KEVIN B 5/19/2000 SHEET 2 OF 3



APPLICATION VIEW

PROPRIETARY NOTE
 * THIS DOCUMENT CONTAINS CONFIDENTIAL AND PROPRIETARY INFORMATION AND ALL DESIGN, MANUFACTURING, REPRODUCTION, USE, PATENT RIGHTS AND SALES RIGHTS ARE EXPRESSLY RESERVED BY SAMTEC, INC. THIS DOCUMENT SHALL NOT BE DISCLOSED, IN WHOLE OR PART, TO ANY UNAUTHORIZED PERSON OR ENTITY NOR REPRODUCED, TRANSFERRED OR INCORPORATED IN ANY OTHER PROJECT IN ANY MANNER WITHOUT THE EXPRESS WRITTEN CONSENT OF SAMTEC, INC.

DO NOT SCALE DRAWING

SHEET SCALE: 1.75:1



520 PARK EAST BLVD, NEW ALBANY, IN 47150
 PHONE: 812-944-6733 FAX: 812-948-5047
 e-Mail: info@SAMTEC.com code: 55322

DESCRIPTION:
 1mm MINI-EDGE, EDGE MOUNT ASSEMBLY

DWG. NO.
MEC1-1XX-XX-XX-D-EMX-XX

BY: KEVIN B 5/19/2000 SHEET 3 OF 3