

Customer Information Sheet

DRAWING No.: M80-321 TO M80-322

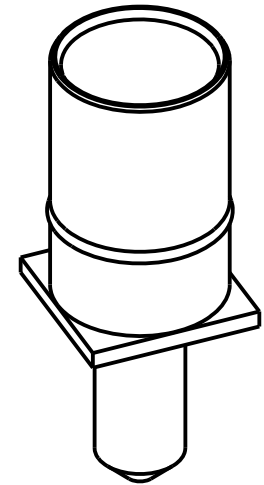
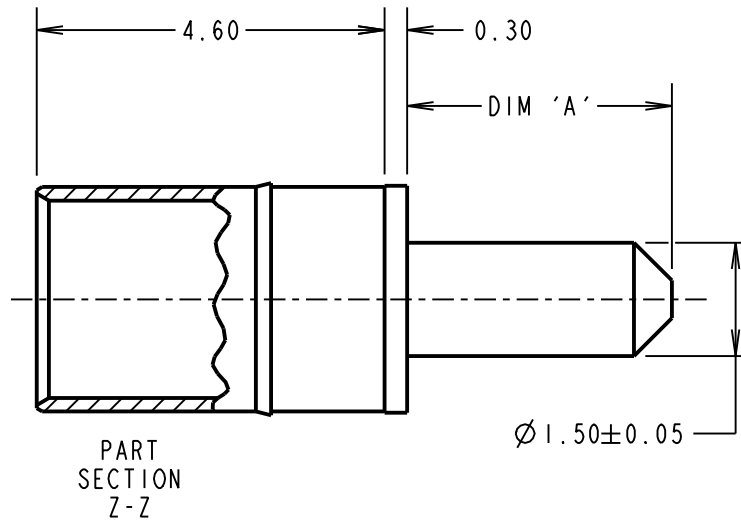
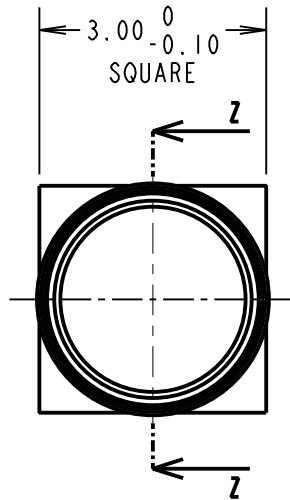
IF IN DOUBT - ASK

©

NOT TO SCALE

THIRD ANGLE PROJECTION

ALL DIMENSIONS IN mm



SPECIFICATIONS:

MATERIALS:

BODY = COPPER ALLOY

FINISH:

BODY = GOLD

ELECTRICAL:

CONTACT RESISTANCE = $6m\Omega$ MAX

CURRENT RATING = 20A

MECHANICAL:

DURABILITY = 500 OPERATIONS

INSERTION FORCE = 8N MAX

WITHDRAWAL FORCE = 0.5N MIN

ENVIRONMENTAL:

TEMPERATURE RANGE = $-55^{\circ}C$ TO $+125^{\circ}C$

PART No.	DIM 'A'
M80-321	3.50
M80-322	5.00

RTP	8	04.03.20	30016
NAME	ISS.	DATE	C/NOTE
APPROVED: R.PORTLOCK			
CHECKED: M.RUDKIN			
DRAWN: W. J. BOURNE			
CUSTOMER REF.:			
ASSEMBLY DRG:			

NOTES:

1. RECOMMENDED PCB HOLE SIZE = $\varnothing 1.60mm$ MIN.
2. FOR ALL OTHER ELECTRICAL/MECHANICAL REQUIREMENTS, SEE COMPONENT SPECIFICATION C005XX (LATEST ISSUE).

HARWIN

www.harwin.com
technical@harwin.com

THIS DRAWING AND ANY INFORMATION OR DESCRIPTIVE MATTER SET OUT HEREON ARE CONFIDENTIAL AND COPYRIGHT PROPERTY OF THE HARWIN GROUP AND MUST NOT BE DISCLOSED, LOANED, COPIED OR USED FOR MANUFACTURING, TENDERING OR FOR ANY OTHER PURPOSE WITHOUT THEIR WRITTEN PERMISSION.

TOLERANCES

X. = $\pm 1mm$
X.X = $\pm 0.50mm$
X.XX = $\pm 0.20mm$
X.XXX = $\pm 0.01mm$
ANGLES = $\pm 5^{\circ}$
UNLESS STATED

MATERIAL:

SEE ABOVE

FINISH: SEE ABOVE

S/AREA: SEE SHEET 1 mm²

TITLE: DATAMATE MIX-TEK
POWER CONTACT
FEMALE VERTICAL PC-TAIL

DRAWING NUMBER:

M80-321 TO M80-322

SHT
2 OF 2