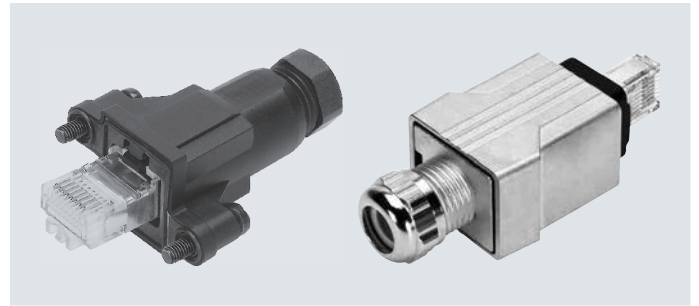


Data sheet

Plug FBS-RJ45

- Ethernet plug with 8-pin RJ45 connection
- Reverse polarity protected
- High transmission quality
- Detachable connection



General technical data			
Type		FBS-RJ45-8-GS	FBS-RJ45-PP-GS
Permissible cable \varnothing	[mm]	4 ... 5.4	5 ... 8
Degree of protection to EN 60529		IP65/IP67	IP65/IP67
Protection against direct and indirect contact		PELV	PELV
Ethernet cable specification		Type: CAT.5	Type: CAT.5
		Individual wire diameter: 0.89 ... 0.99 mm	Individual wire diameter: max. 1.6 mm
		AWG 24-26 fine wire	0.13 ... 0.36 mm ² , 1-wire
		–	0.13 ... 0.36 mm ² , 7-wire
		–	PROFINET
Product weight	[g]	15	60

Materials			
Type		FBS-RJ45-8-GS	FBS-RJ45-PP-GS
Housing		Reinforced PA	Nickel-plated, die-cast zinc
Screws		Steel	–
Seals		NBR	NBR
Pin contacts		–	Copper alloy, nickel-plated and gold-plated
Note on materials		–	RoHS-compliant

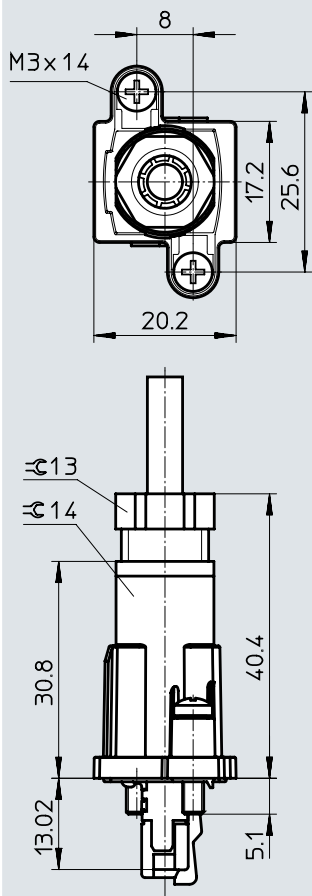
Operating and environmental conditions			
Type		FBS-RJ45-8-GS	FBS-RJ45-PP-GS
Ambient temperature	[°C]	–5 ... +60	–40 ... +70
Storage temperature	[°C]	–20 ... +70	–40 ... +70
Relative humidity	[%]	0 ... 90, non-condensing, in assembled state	–

Data sheet

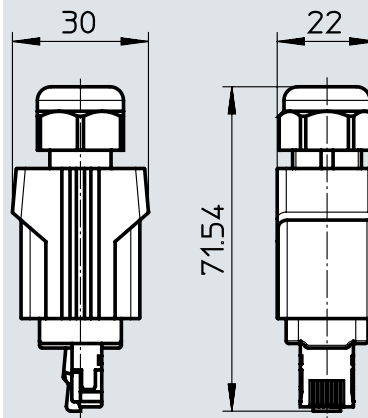
Dimensions

Download CAD data → www.festo.com

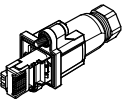
FBS-RJ45-8-GS



FBS-RJ45-PP-GS



Ordering data

	Electrical connection	Part no.	Type
	Straight plug, 8-pin	534494	FBS-RJ45-8-GS
	Straight plug, push-pull, 8-pin	552000	FBS-RJ45-PP-GS

Festo - Your Partner in Automation



1 Festo Inc.
5300 Explorer Drive
Mississauga, ON L4W 5G4
Canada

Festo Customer Interaction Center
Tel: 1 877 463 3786
Fax: 1 877 393 3786
Email: customer.service.ca@festo.com



2 Festo Pneumatic
Av. Ceylán 3,
Col. Tequesquináhuac
54020 Tlalnepantla,
Estado de México

Multinational Contact Center
01 800 337 8669
ventas.mexico@festo.com



3 Festo Corporation
1377 Motor Parkway
Suite 310
Islandia, NY 11749

Festo Customer Interaction Center
1 800 993 3786
1 800 963 3786
customer.service.us@festo.com



4 Regional Service Center
7777 Columbia Road
Mason, OH 45040

Connect with us



www.festo.com/socialmedia



www.festo.com

Subject to change