

Würth Elektronik eiSos GmbH &amp; Co. KG

EMC &amp; Inductive Solutions

Max-Eyth-Straße 1 · 74638 Waldenburg · Germany

Tel. +49 (0) 79 42 945-0 · Fax +49 (0) 79 42 945-400

eiSos@we-online.de · www.we-online.de



## Product / Process Change Notification (PCN)

- Major change  
 Minor change

**PCN #:** PCN\_WCAP-PHLE\_20210614

**Affected Series:** WCAP-PHLE

**PCN Date:** March 15, 2021

**Effective Date:** June 14, 2021

### Change Category:

- Equipment / Location  
 General Data  
 Material  
 Process  
 Product Design  
 Shipping / Packaging  
 Supplier  
 Software

**Contact:** Product Management

**Phone:** +49 (0) 7942 - 945 5001

**Fax:** +49 (0) 7942 - 945 5179

**E-Mail:** pcn.eisos@we-online.com

### Data Sheet Change:

Yes  No

### Attachment:

Yes  No

### DESCRIPTION AND PURPOSE OF CHANGE:

Due to database mismatches, Würth Elektronik is going to correct the datasheets of the product series WCAP-PHLE.

All products affected by changes are listed below.

This is a datasheet correction only. There will be no change in form, fit, function, quality or reliability of the product.

### DETAIL OF CHANGE:

- Würth Elektronik corrects the tape packaging specification for all products of WCAP-PHLE:

Würth Elektronik eiSos GmbH & Co. KG

EMC & Inductive Solutions

Max-Eyth-Straße 1 · 74638 Waldenburg · Germany

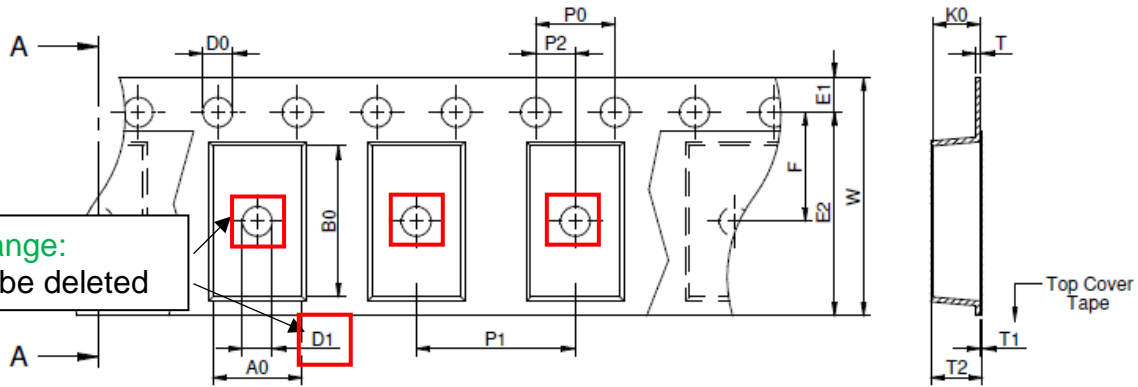
Tel. +49(0)79 42 945-0 · Fax +49(0)79 42 945-400

eiSos@we-online.de · www.we-online.de

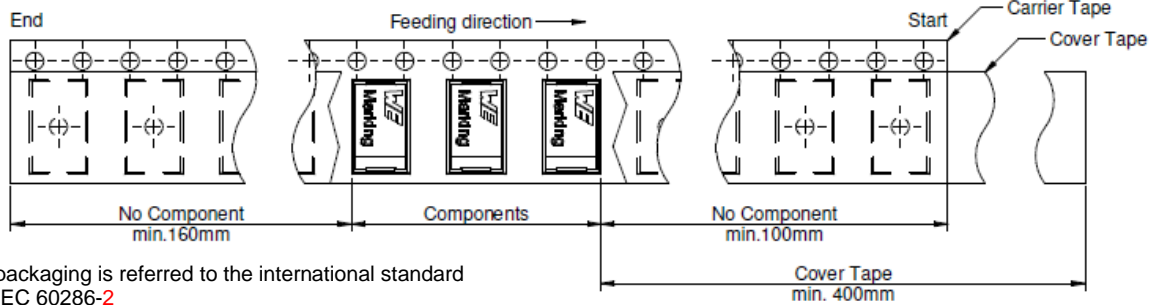


**Before correction:**

**Packaging Specification - Tape and Reel: [mm]**



After change:  
This will be deleted



packaging is referred to the international standard IEC 60286-2

Tape Type	A0 (mm)	B0 (mm)	W (mm)	T (mm)	T1 (mm)	T2 (mm)	K0 (mm)	P0 (mm)	P1 (mm)	P2 (mm)	D0 (mm)	D1 (mm)	E1 (mm)	E2 (mm)	F (mm)	Material	Qty. (pcs.)
	typ.	typ.	+0,3/ -0,1	ref.	max.	typ.	typ.	±0,1	±0,1	±0,05	+0,1/ -0,0	min.	±0,1	min.	±0,05		
2a	4,50	7,60	12,00		0,10		2,40	4,00	8,00	2,00	1,50	1,50	1,75	10,25	5,50	Polystyrene	3500

Würth Elektronik eiSos GmbH & Co. KG

EMC & Inductive Solutions

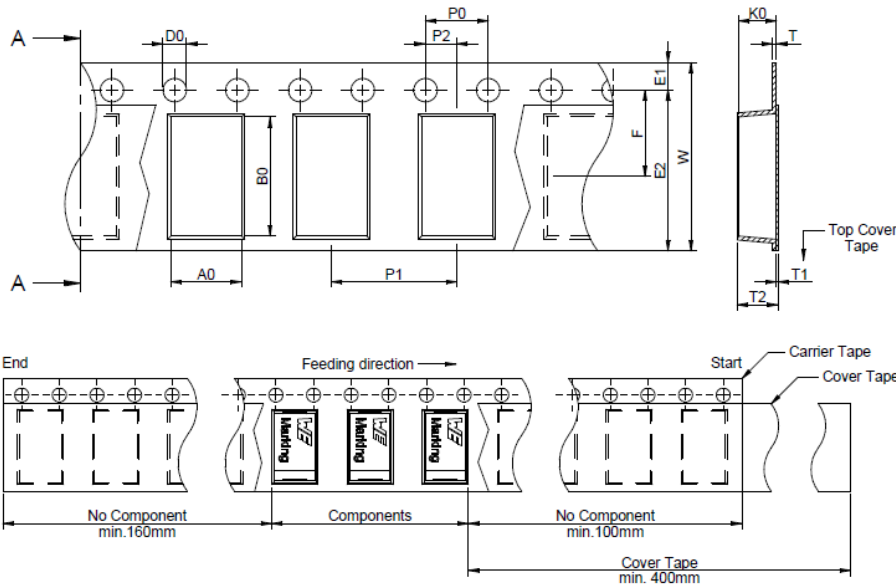
Max-Eyth-Straße 1 · 74638 Waldenburg · Germany

Tel. +49(0)79 42 945-0 · Fax +49(0)79 42 945-400

eiSos@we-online.de · www.we-online.de



After correction:



packaging is referred to the international standard IEC 60286-3

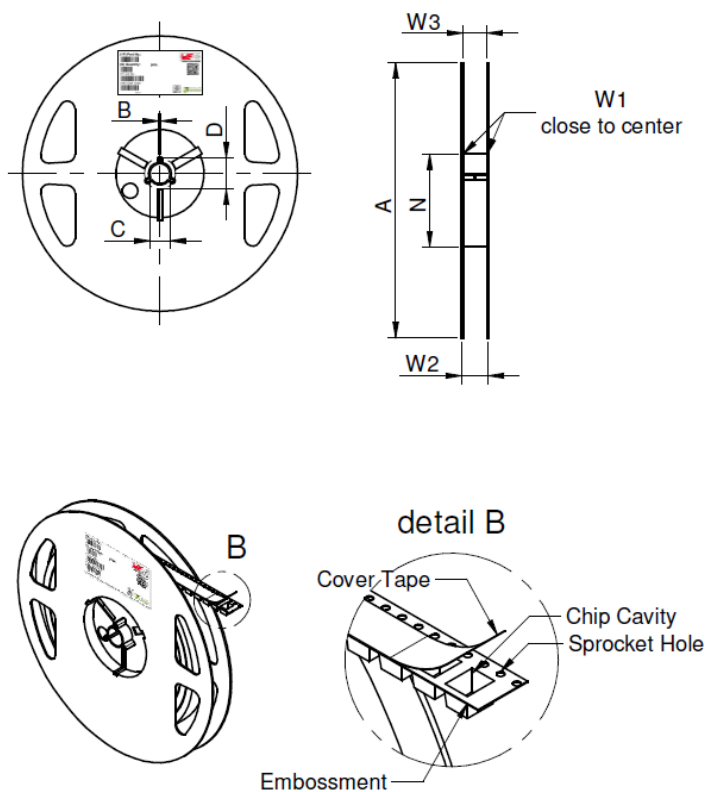
Specification after correction:

Tape Type	A0 (mm)	B0 (mm)	W (mm)	T (mm)	T1 (mm)	T2 (mm)	K0 (mm)
	typ.	typ.	+0,3/ -0,1	typ.	typ.	typ.	typ.
2a	4,50	7,60	12,00	0,30	0,05	2,55	2,40

P0 (mm)	P1 (mm)	P2 (mm)	D0 (mm)	E1 (mm)	E2 (mm)	F (mm)	Material	Qty. (pcs.)
±0,1	±0,1	±0,05	+0,1/ -0,0	±0,1	min.	±0,05		
4,00	8,00	2,00	1,50	1,75	10,25	5,50	Polystyrene	3500

- Würth Elektronik corrects the reel packaging specification for all products of WCAP-PHLE:

**Before correction:**



A (mm)	B (mm)	C (mm)	D (mm)	N (mm)	W1 (mm)	W2 (mm)	W3 (mm)	W3 (mm)	Material
± 2,0	min.	min.	min.	min.	+ 2,0	max.	min.	max.	
330,00	1,50	12,80	20,20	60,00	12,40	18,40	11,90	15,40	Polystyrene/ Polyurethane

**Specification after correction:**

	A (mm)	B (mm)	C (mm)	D (mm)	N (mm)	W1 (mm)	W2 (mm)	W3 (mm)	W3 (mm)	Material
Tol.	± 2,0	min.	min.	min.	typ.	+ 2,0	max.	min.	max.	
Value	330,0 0	1,50	12,80	20,20	80,00	12,40	18,40	11,90	15,40	Poly-styrene

- Würth Elektronik also adds the specification for the inner and outer carton to the datasheets. Please have a look at the new datasheet.

Würth Elektronik eiSos GmbH &amp; Co. KG

EMC &amp; Inductive Solutions

Max-Eyth-Straße 1 · 74638 Waldenburg · Germany

Tel. +49(0)79 42 945-0 · Fax +49(0)79 42 945-400

eiSos@we-online.de · www.we-online.de



- Würth Elektronik adds the ripple current multiplier for lower frequencies for all products of WCAP-PHLE:

### Before

#### Multiplier for Ripple Current vs. Frequency

Frequency	Multiplier
10 kHz ≤ freq. < 20 kHz	0.6
20 kHz ≤ freq. < 50 kHz	0.7
50 kHz ≤ freq. < 100 kHz	0.8
100 kHz ≤ freq. < 200 kHz	1.0
200 kHz ≤ freq. < 500 kHz	0.8
500 kHz ≤ freq. < 1 MHz	0.7
1 MHz ≤ freq. < 10 MHz	0.4

### After

Frequency	Multiplier
100 Hz ≤ freq. < 1 kHz	0.05
1 kHz ≤ freq. < 10 kHz	0.3
10 kHz ≤ freq. < 20 kHz	0.6
20 kHz ≤ freq. < 50 kHz	0.7
50 kHz ≤ freq. < 100 kHz	0.8
100 kHz ≤ freq. < 200 kHz	1.0
200 kHz ≤ freq. < 500 kHz	0.8
500 kHz ≤ freq. < 1 MHz	0.7
1 MHz ≤ freq. < 10 MHz	0.4

- Würth Elektronik corrects the Technical Reference for the following part numbers:

WE P/N	Technical Reference <b>before change</b>	Technical reference <b>after change</b>
875035019001	PSE2917101M004DH1T1HT19	PSE2917101M004DH1T2HT19
875035019002	PSE2917181M004DH1T1HT19	PSE2917181M004DH1T2HT19
875035019003	PSE2917221M004DH1T1HT19	PSE2917221M004DH1T2HT19
875035119002	PSE2917181M6R3DH1T1HT19	PSE2917181M6R3DH1T2HT19
875036219012	PSE2917331M002DH1T1HT19	PSE2917331M002DH1T2HT19
875036219015	PSE2917391M002DH1T1HT19	PSE2917391M002DH1T2HT19
875036219018	PSE2917471M002DH1T1HT19	PSE2917471M002DH1T2HT19
875036219019	PSE2917561M002DH1T1HT19	PSE2917561M002DH1T2HT19
875036319012	PSE2917331M2R5DH1T1HT19	PSE2917331M2R5DH1T2HT19
875036319015	PSE2917391M2R5DH1T1HT19	PSE2917391M2R5DH1T2HT19
875036319018	PSE2917471M2R5DH1T1HT19	PSE2917471M2R5DH1T2HT19

Würth Elektronik eiSos GmbH & Co. KG

EMC & Inductive Solutions

Max-Eyth-Straße 1 · 74638 Waldenburg · Germany

Tel. +49 (0) 79 42 945-0 · Fax +49 (0) 79 42 945-400

eiSos@we-online.de · www.we-online.de



- Würth Elektronik updates the Cautions and Warnings for all products of WCAP-PHLE:

Please have a look at the new datasheet.

Especially the following paragraph is updated:

#### Before

A storage of Würth Elektronik products for longer than **24** months is not recommended. Within other effects, the terminals may suffer degradation, resulting in bad solderability. Therefore, all products shall be used within the period of **24** months based on the day of shipment.

#### After

A storage of Würth Elektronik products for longer than **12** months is not recommended. Within other effects, the terminals may suffer degradation, resulting in bad solderability. Therefore, all products shall be used within the period of **12** months based on the day of shipment.

#### RELIABILITY / QUALIFICATION SUMMARY:

There will be no change of the product, therefore no additional reliability or qualification testing will be performed.