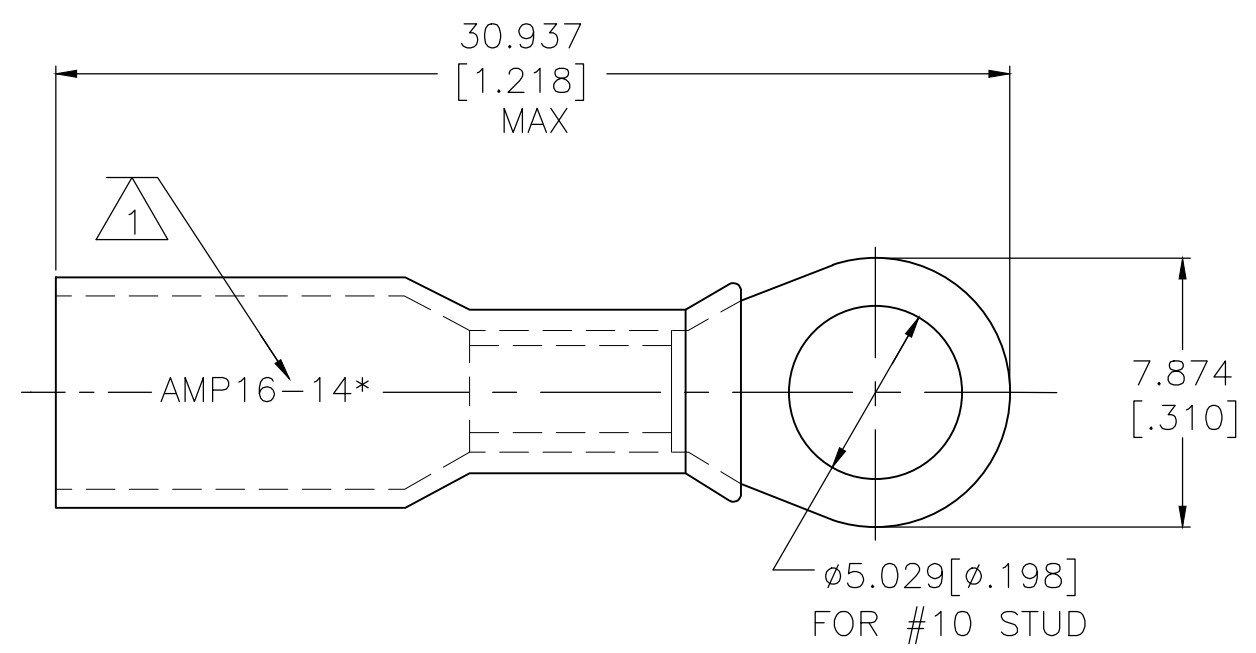
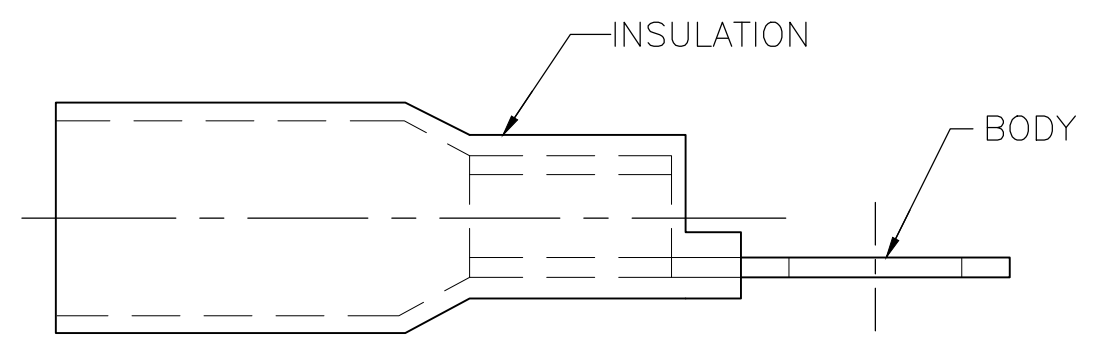


THIS DRAWING IS UNPUBLISHED. RELEASED FOR PUBLICATION
 © COPYRIGHT - TE Connectivity Ltd. ALL RIGHTS RESERVED.

REVISIONS					
P	LTR	DESCRIPTION	DATE	DWN	APVD
	E	REVISED PER ECR-09-027352	17FEB10	JR	TM
	E1	REVISED PER ECO-17-016703	04APR2018	RS	DR



- 1 STAMP AMP 16-14* APPROX AS SHOWN
- 2 WIRE INSULATION φ4.826[φ.190] MAX
- 3 BODY MATERIAL THK 0.813±0.051[.032±.002]
- 4 NOTE DELETED



AMP WIRE RANGE
16-14 AWG STRANDED

50	LOOSE PIECE	8-55852-2
1000	LOOSE PIECE	55852-1
QTY	PACKAGE TYPE	PART NO

AMP INCORPORATED CUSTOMER SERVICE SYSTEMS		MAX RECOMMENDED OPERATING TEMPERATURE: 125°C[257°F] MAX	THIS DRAWING IS A CONTROLLED DOCUMENT.		DWN S S GOULDEN 6/93	STE TE Connectivity Ltd.		
FOR ADDITIONAL PRODUCT INFORMATION OR COPIES OF DRAWINGS AND TECHNICAL DOCUMENTS	PRODUCT INFORMATION CENTER 1-800-522-6752	VOLTAGE RATING: 600V MAX (BUILDING WIRING) 1000V MAX (FIXTURES & SIGNS)	DIMENSIONS: mm [INCHES]	TOLERANCES UNLESS OTHERWISE SPECIFIED:	CHK R HERSEY 6/93			
FOR APPLICATION TOOLING INFORMATION	TOOLING ASSISTANCE CENTER 1-800-722-1111	CIRCULAR MIL AREA: 1.04-2.62mm ² [2050-5180] STRANDED		0 PLC ± - 1 PLC ± - 2 PLC ± - 3 PLC ± 0.127[.005] 4 PLC ± - ANGLES ± -	APVD B BARE 6/93	SIZE CAGE CODE DRAWING NO RESTRICTED TO A3 00779 C-55852		
FOR ORDER ENTRY	1-800-526-5142	THIS DRAWING IS A CONTROLLED DOCUMENT FOR AMP INCORPORATED. IT IS SUBJECT TO CHANGE AND THE CONTROLLING ENGINEERING ORGANIZATION SHOULD BE CONTACTED FOR THE LATEST REVISION.	MATERIAL BODY: ETP COPPER INSULATION: POLYOLEFIN	FINISH BODY: EDP TIN PLATED INSULATION: COLOR: BLUE	PRODUCT SPEC -			
			CUSTOMER DRAWING		APPLICATION SPEC 408-4022			