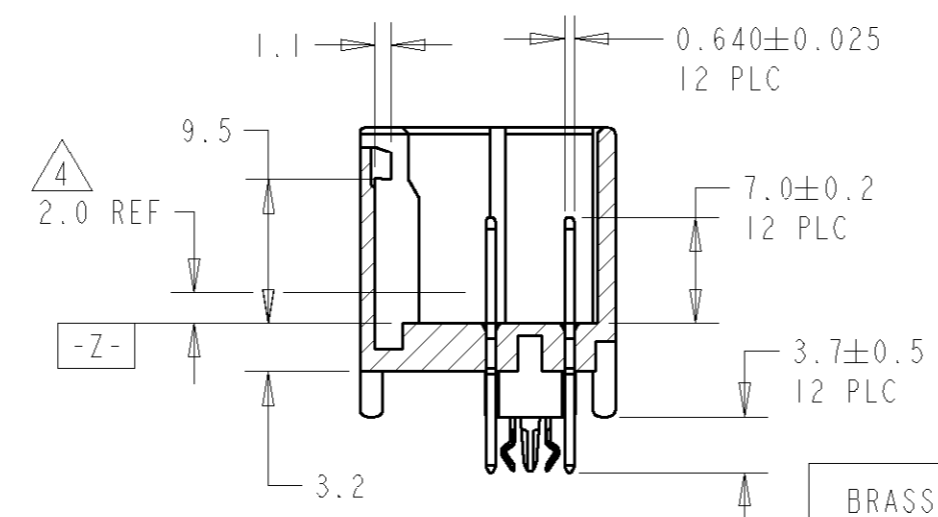
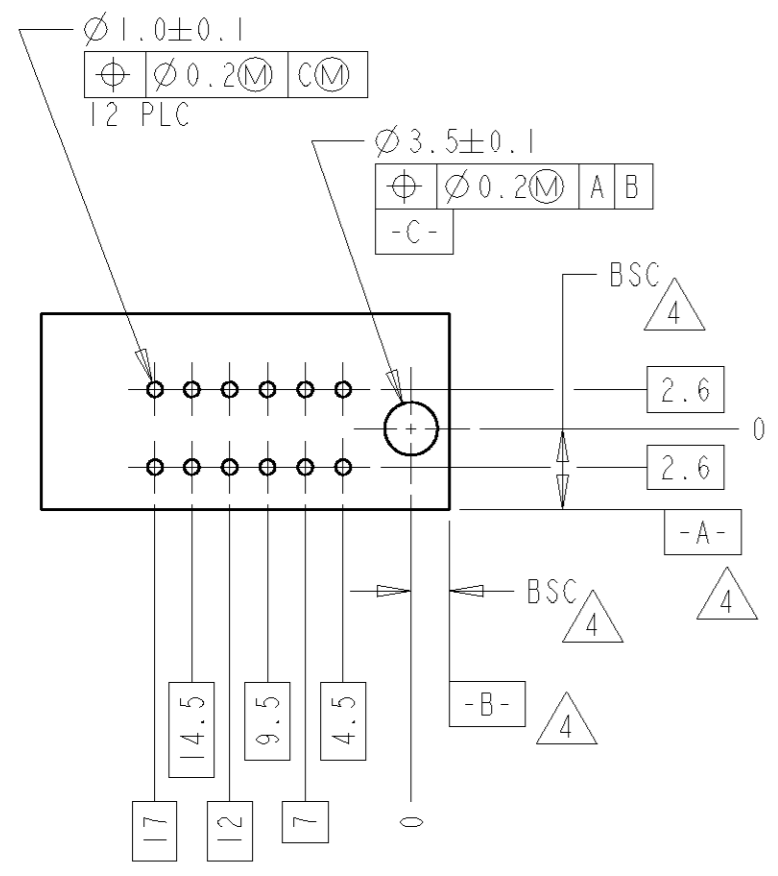
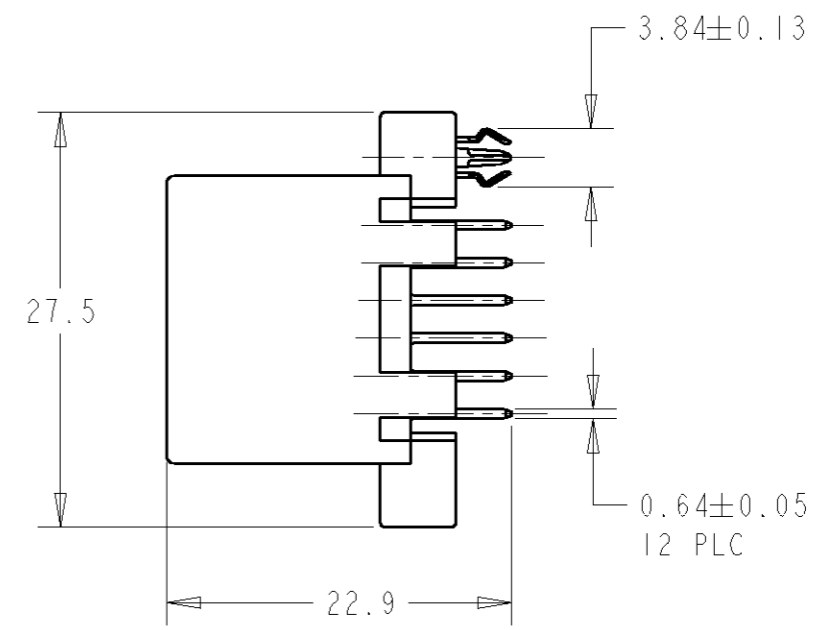
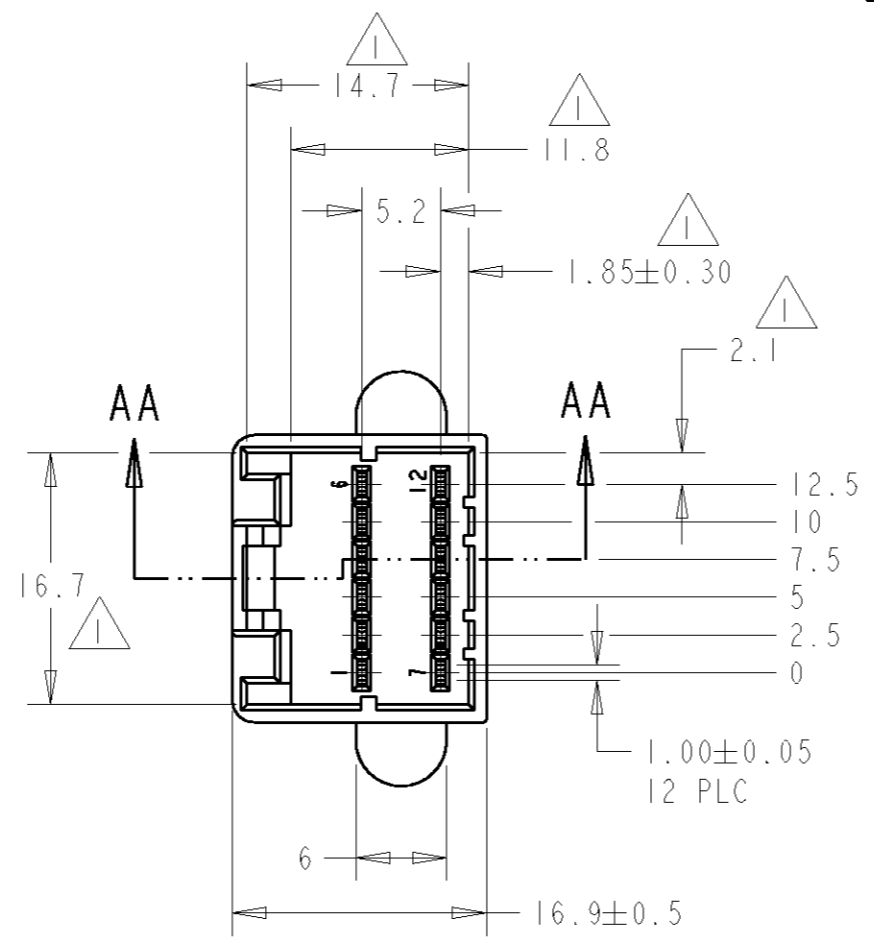
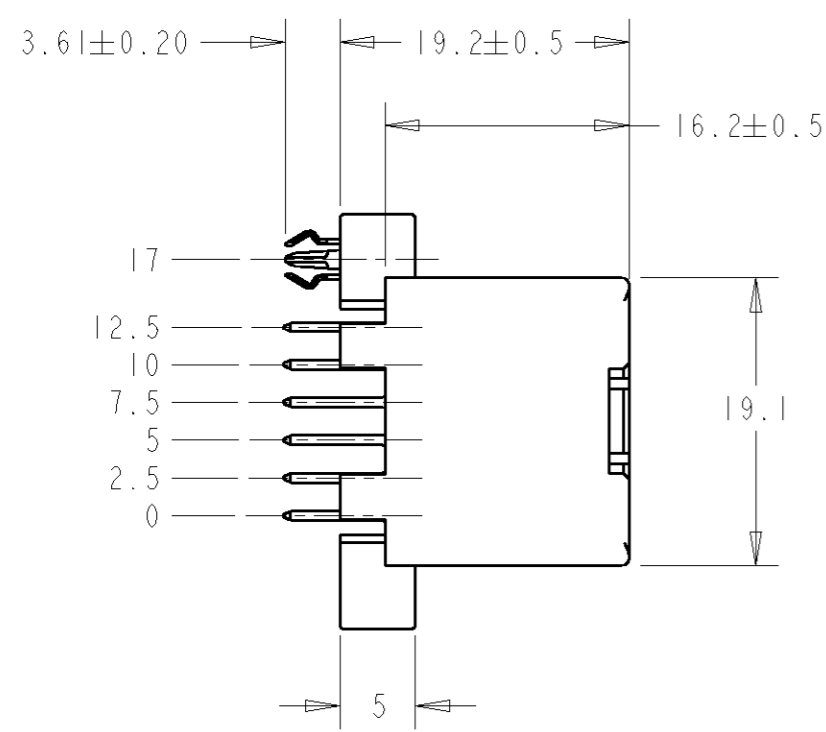


THIS DRAWING IS UNPUBLISHED. RELEASED FOR PUBLICATION 20
 © COPYRIGHT 20 BY TYCO ELECTRONICS CORPORATION. ALL RIGHTS RESERVED.

LOC	DIST	REVISIONS				
P	LTR	DESCRIPTION	DATE	DWN	APVD	
FX	55					
		E	REV/REDRAWN PER EC OK80-0197-01	17SEP2001	RGV SSA	
		EI	REV PER OK80-0399-03	04DEC2003	AG SA	



- 1. MUST BE KEPT BETWEEN -Z- AND 2mm FROM -Z-.
- 2. APPLICABLE P.C. BOARD THICKNESS: 1.6 mm.
- 3. MATING PLUG PART NUMBER: 174045.
- 4. DATUMS AND BASIC DIMENSIONS TO BE ESTABLISHED BY CUSTOMER.

BRASS	TIN OVER COPPER	BRASS	TIN OVER COPPER	PBT	BLACK	638097-2
MATERIAL	FINISH	MATERIAL	FINISH	MATERIAL	COLOR	PART NO
BOARDLOCK		CONTACT		HOUSING		

<small>THIS DRAWING IS A CONTROLLED DOCUMENT FOR TYCO ELECTRONICS CORPORATION IT IS SUBJECT TO CHANGE AND THE CONTROLLING ENGINEERING ORGANIZATION SHOULD BE CONTACTED FOR THE LATEST REVISION.</small>		DWN R. VESTAL 12JUN2001 CHR S. ASHLEY 12JUN2001 APVD S. ASHLEY 12JUN2001 PRODUCT SPEC - APPLICATION SPEC - WEIGHT -	AMP Tyco Electronics Harrisburg, PA 17105-3608 NAME .040 SERIES, 12 POSITION, CAP ASSEMBLY, W/BOARDLOCK, MULTILOCK SIZE A3 CAGE CODE 00779 C=638097 DRAWING NO RESTRICTED TO -
DIMENSIONS: mm 	TOLERANCES UNLESS OTHERWISE SPECIFIED: 0 PLC ±0.3 1 PLC ±0.3 2 PLC ±0.20 3 PLC ± 4 PLC ± ANGLES ±1°	MATERIAL - FINISH -	CUSTOMER DRAWING SCALE 2:1 SHEET 1 OF 1 REV EI

P.C. BOARD LAYOUT (SOLDER SIDE)