

**PLEASE CHECK WWW.MOLEX.COM FOR LATEST PART INFORMATION**

**Part Number:** [0555131605](#)  
**Status:** **Active**  
**Description:** 1.25mm Pitch Small MGC (Multi-Ground Connector) Plug Cover A, Polarizing Key  
 6.10mm from the Center

**Documents:**

[3D Model](#) [Product Specification PS-54678-007-001 \(PDF\)](#)  
[Drawing \(PDF\)](#) [RoHS Certificate of Compliance \(PDF\)](#)  
[Product Specification PS-54678-006-001 \(PDF\)](#)

**General**

Product Family	I/O Connectors
Series	<a href="#">55513</a>
Application	N/A
Comments	Plug Cover A, Plug Cover A
Component Type	Dust Cover
Product Name	Small MGC
Type	N/A
UPC	800754840798

**Physical**

Circuits (Loaded)	16
Color - Resin	Gray
Lock to Mating Part	Yes
Material - Plating Mating	N/A
Material - Resin	PBT
Net Weight	4050.000/mg
Orientation	N/A
Packaging Type	Tray
Panel Mount	N/A
Pitch - Mating Interface	N/A
Polarized to Mating Part	Yes
Termination Interface: Style	N/A

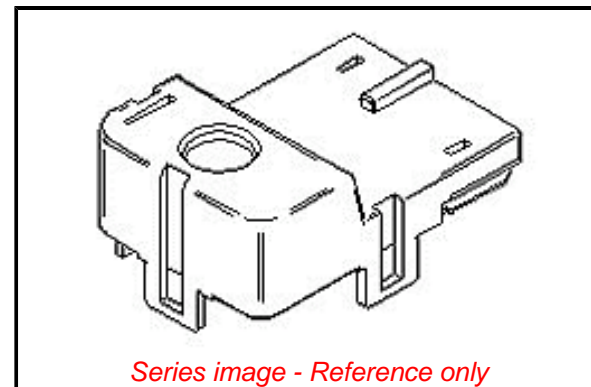
**Electrical**

Current - Maximum per Contact	N/A
-------------------------------	-----

**Material Info**

**Reference - Drawing Numbers**

Product Specification	PS-54678-006-001, PS-54678-007-001
Sales Drawing	SD-55513-002



*Series image - Reference only*

**EU ELV**

**Not Relevant**

**EU RoHS**

**Compliant**

**REACH SVHC**

Not Contained Per -  
 ED/71/2019 (16 July  
 2019)

**Halogen-Free**

**Status**

**Not Low-Halogen**

For more information, please visit [Contact US](#)

China ROHS

ELV

RoHS Phthalates

**China RoHS**

Green Image

Not Relevant

Not Contained

**Search Parts in this Series**

[55513 Series](#)

**Use With**

[55516](#) , [55514](#)