

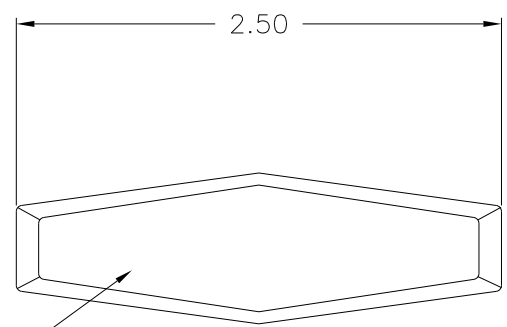
PART NAME: KNOB SCALE: 1:1 DATE: 8/22/85 DR. BY HD

THIS DRAWING IS THE PROPERTY OF DAVIES MOLDING COMPANY, IS SUBMITTED SOLELY AS A DESIGN OR ENGINEERING PROJECT. WE ACCEPT NO RESPONSIBILITY WHATSOEVER FOR THE PRACTICAL APPLICATION OF THE PIECES MADE TO THIS DESIGN.

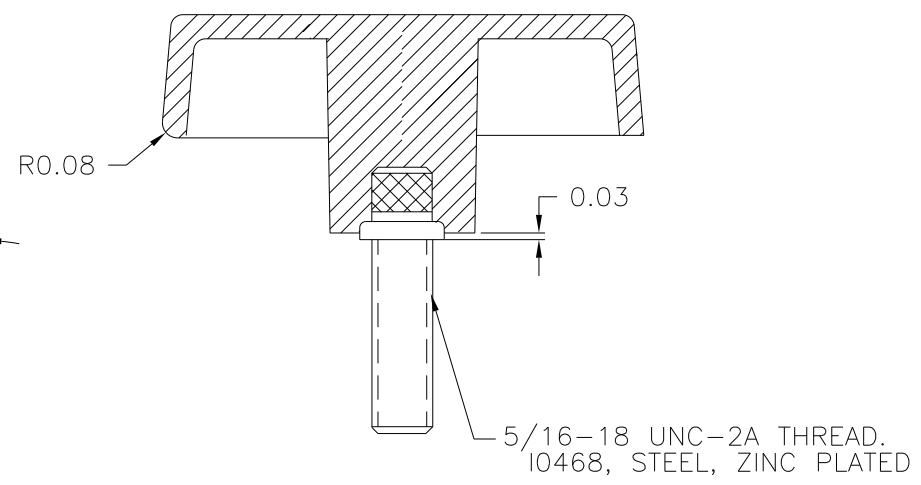
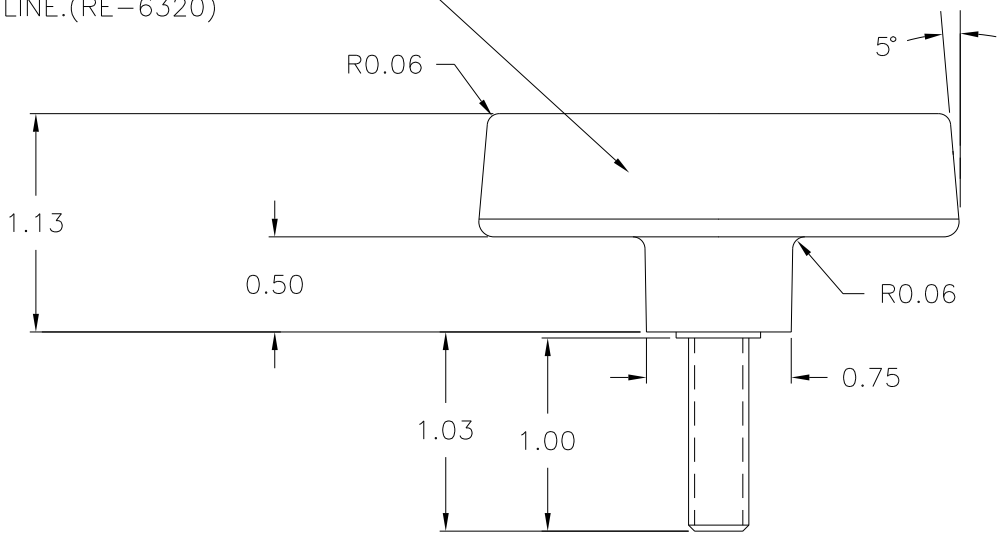


DESIGNERS & MANUFACTURERS OF KNOBS, HANDLES, CASES & CUSTOM PLASTIC COMPONENTS

P/N	3088-E
M NO. #	30
CAV.	3088
CORE	3088
BUSHING	3088-A
EJCT.PIN	3088
INSERT	10468



TEXTURED ALL OUTSIDE SURFACES UPTO PARTING LINE.(RE-6320)



C MATERIAL: NYLON 6/6 (ZY2), (ZY6)  
 OR ENGINEERING APPROVED EQUIVALENT  
 COLOR: BLACK

TOLERANCES: UNLESS OTHERWISE SPECIFIED	DO NOT SCALE DRAWING	C	WAS CLG. ADDED ZY6	JAM	6/25/12
		B	ADDED MAT. CODE	DS	1/9/07
DECIMALS: X.XXX ± .005 X.XX ± .015	MM: X.XX ± 0.15MM X.X ± 0.4MM	A	WAS I1507	HD	11/3/94
		-	CAD/REDRAWN	HD	6/14/93
FRACTIONS ± 1/64	ANG. ± 1°	CHANGES			