

PART NAME: KNOB SCALE: 1:1 DATE: 1/31/94 DR. BY HD

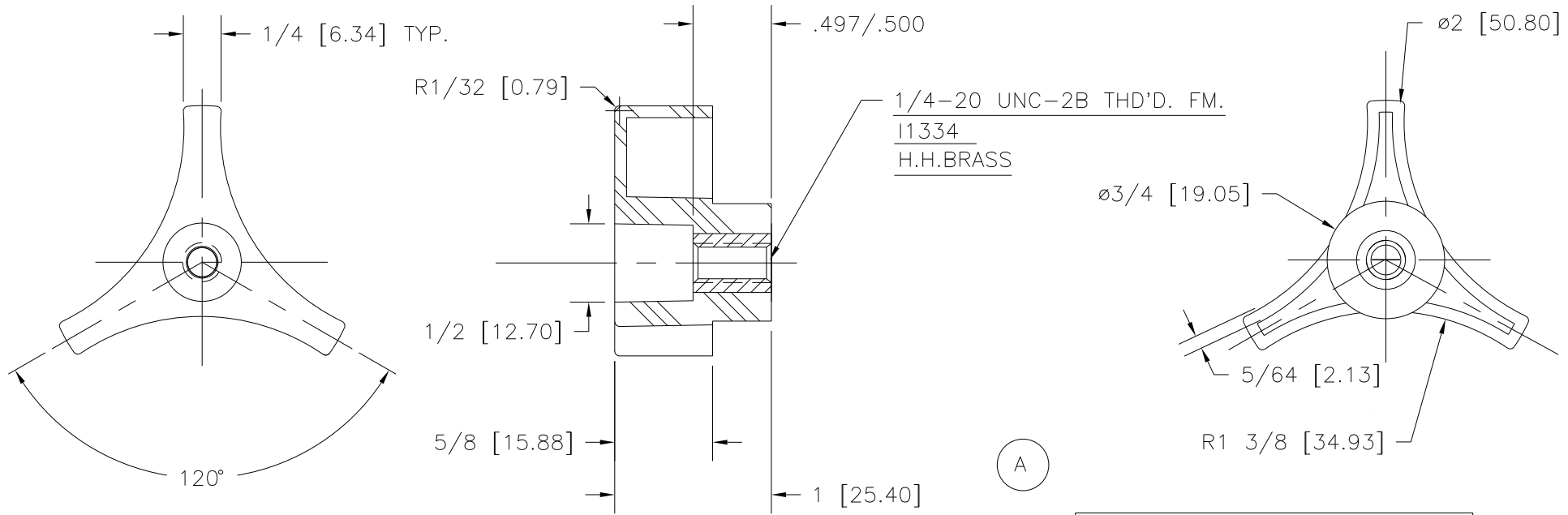
THIS DRAWING IS THE PROPERTY OF DAVIES MOLDING COMPANY, IS SUBMITTED SOLELY AS A DESIGN OR ENGINEERING PROJECT. WE ACCEPT NO RESPONSIBILITY WHATSOEVER FOR THE PRACTICAL APPLICATION OF THE PIECES MADE TO THIS DESIGN.



DESIGNERS & MANUFACTURERS OF KNOBS, HANDLES, CASES & CUSTOM PLASTIC COMPONENTS

P/N	3041-X
M <sup>NO.</sup>	38
CAV.	3041
CORE	3041
CAV. PLUG	3041-M
CAV. PLUG WASHER	0.034
SLEEVE	3041
PIN	3041-1
INSERT	I1334

ⓑ NOTE: FRAME 38 #2 REQUIRES A 0.010 SHIM ON THE TOP HALF.



NOTE : USE # 3041-M COMMON CAV.PLUGS FOR THRU HOLE. -HARKANT (S.O.# 17148)

MATERIAL : 20% TALC FILLED POLYPROPYLENE  
COLOR : BLACK

TOLERANCES: UNLESS OTHERWISE SPECIFIED	DO NOT SCALE DRAWING				
DECIMALS: X.XXX ± .005 X.XX ± .015	MM: X.XX ± 0.15MM X.X ± 0.4MM	B	ADDED NOTE	TS	8/29/02
FRACTIONS ± 1/64	ANG. ± 1°	A	NOTE ADDED	HD	1/13/95
CHANGES					