

## Extension module - PSR-SPP-42-230UC/URM4/4NO/2NC - 2702925

Please be informed that the data shown in this PDF Document is generated from our Online Catalog. Please find the complete data in the user's documentation. Our General Terms of Use for Downloads are valid (<http://phoenixcontact.com/download>)



1 or 2-channel contact extension with wide range input, 4 N/O contacts, 1 N/C contact, 1 confirmation current path, together with basic device up to Cat. 4, PL e according to EN ISO 13849, plug-in spring-cage terminal block, width: 22.5 mm

The figure shows a version with a screw connection

### Product Description

The URM4 contact extension device enables safety-related signals to be further processed as floating contacts for an input voltage range of 42 to 230 V AC/DC. The contact extension device specifically covers the operating range above a nominal voltage of 24 V.

The new device is approved in accordance with EN 50156 and can therefore be used in furnaces without any additional effort. In particular when used in conjunction with the corresponding PSR safety relay as a basic device, safety circuits up to PL e or SIL 3 can be implemented.



### Key Commercial Data

Packing unit	1 pc
GTIN	
GTIN	4055626428895

### Technical data

#### Note

Utilization restriction	EMC: class A product, see manufacturer's declaration in the download area
-------------------------	---

#### Dimensions

Width	22.5 mm
Height	112 mm
Depth	114.5 mm

#### Ambient conditions

Ambient temperature (operation)	-20 °C ... 55 °C (observe derating)
Ambient temperature (storage/transport)	-40 °C ... 85 °C
Max. permissible relative humidity (operation)	75 % (on average, 85% infrequently, non-condensing)

## Extension module - PSR-SPP-42-230UC/URM4/4NO/2NC - 2702925

### Technical data

#### Ambient conditions

Max. permissible humidity (storage/transport)	75 % (on average, 85% infrequently, non-condensing)
Maximum altitude	≤ 2000 m (Above sea level)

#### Input data

Rated control circuit supply voltage $U_s$	42 V AC/DC ... 230 V AC/DC -15 % ... +10 % (Rated control circuit supply voltage $U_s$ )
Rated control supply current $I_s$	typ. 35 mA (42 V DC)
	typ. 15 mA (230 V AC)
Power consumption at $U_s$	max. 1.5 W (with DC)
	max. 1.7 W (with AC)
Inrush current	< 38 A ( $\Delta t = 50 \mu s$ at $U_s$ )
Typ. starting time with $U_s$	< 100 ms (when controlled via A1)
Typical release time	< 20 ms (Control via A1 at 42 V DC)
	< 200 ms (Control via A1 at 230 V AC)
Recovery time	< 1 s
Operating voltage display	1 x green LED
Protective circuit	Surge protection Suppressor diode and varistors
Maximum switching frequency	0.5 Hz

#### Output data

Contact type	4 enabling current paths
	1 confirmation current path
	1 signaling current path
Contact material	AgSnO <sub>2</sub>
Maximum switching voltage	250 V AC/DC (Observe the load curve)
Minimum switching voltage	5 V AC/DC
Limiting continuous current	6 A (N/O contact, pay attention to the derating)
	1 A (N/C contact 51/52)
	6 A (N/C contact 61/62)
Maximum inrush current	8 A
Inrush current, minimum	10 mA
Sq. Total current	72 A <sup>2</sup> (observe derating)
Interrupting rating (ohmic load) max.	1500 VA (N/O contact, 250 V AC, $\tau = 0$ ms)
	For additional values, see load curve
Maximum interrupting rating (inductive load)	48 W (N/O contact, 24 V DC, $\tau = 40$ ms)
	40 W (N/O contact, 48 V DC, $\tau = 40$ ms)
	36 W (N/O contact, 60 V DC, $\tau = 40$ ms)
	35 W (N/O contact, 110 V DC, $\tau = 40$ ms)
	33 W (N/O contact, 220 V DC, $\tau = 40$ ms)
	1500 VA (N/O contact, 250 V AC, $\tau = 40$ ms)
Switching capacity	min. 50 mW

## Extension module - PSR-SPP-42-230UC/URM4/4NO/2NC - 2702925

### Technical data

#### Output data

Mechanical service life	10x 10 <sup>6</sup> cycles
Switching capacity according to IEC 60947-5-1	5 A (24 V (DC13))
	5 A (250 V (AC15))
Output fuse	6 A gL/gG (N/O contact and N/C contact 61/62)
	4 A gL/gG (N/O contact and N/C contact 61/62 for low-demand applications)
	1 A gL/gG (N/C contact 51/52)

#### General

Relay type	Electromechanical relay with forcibly guided contacts in accordance with EN 50205
Nominal operating mode	100% operating factor
Net weight	195 g
Mounting position	vertical or horizontal
Mounting type	DIN rail mounting
Assembly instructions	See derating curve
Degree of protection	IP20
Min. degree of protection of inst. location	IP54
Housing material	PBT
Housing color	yellow

#### Connection data

Connection method	Spring-cage connection
pluggable	Yes
Conductor cross section solid min.	0.2 mm <sup>2</sup>
Conductor cross section solid max.	1.5 mm <sup>2</sup>
Conductor cross section flexible min.	0.2 mm <sup>2</sup>
Conductor cross section flexible max.	1.5 mm <sup>2</sup>
Conductor cross section AWG min.	24
Conductor cross section AWG max.	16
Stripping length	8 mm

#### Safety-related characteristic data

Stop category	0
Designation	IEC 61508 - High demand
Safety Integrity Level (SIL)	3 (In conjunction with suitable evaluating device)
Designation	IEC 61508 - Low demand
Safety Integrity Level (SIL)	3 (In conjunction with suitable evaluating device)
Designation	EN ISO 13849
Performance level (PL)	e (In conjunction with suitable evaluating device)
Category	4 (In conjunction with suitable evaluating device)
Designation	EN 62061
Safety Integrity Level Claim Limit (SIL CL)	3 (In conjunction with suitable evaluating device)

## Extension module - PSR-SPP-42-230UC/URM4/4NO/2NC - 2702925

### Technical data

#### Safety-related characteristic data

Designation	EN 50156
Safety Integrity Level (SIL)	3

#### Standards and Regulations

Designation	Air clearances and creepage distances between the power circuits
Standards/regulations	DIN EN 50178/VDE 0160
Rated insulation voltage	250 V AC
Rated surge voltage/insulation	Safe isolation, reinforced insulation 6 kV: between (A1/A2) and the remaining current paths between (51/52) and the remaining current paths between (61/62) and the remaining current paths between (13/14, 23/24, 33/34, 43/44) and the remaining current paths
	4 kV basic insulation between enabling current paths
	Basic insulation 4 kV between all current paths and housing
Degree of pollution	2
Overvoltage category	III
Shock	15g
Vibration (operation)	10 Hz ... 150 Hz, 2g
Conformance	CE-compliant

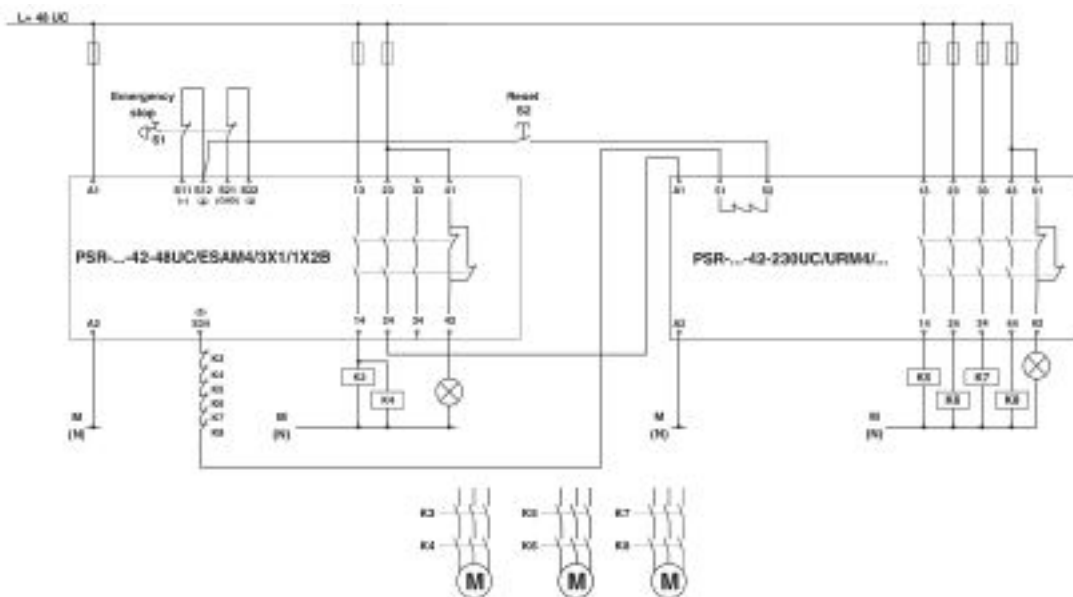
#### Environmental Product Compliance

REACH SVHC	Lead 7439-92-1
China RoHS	Environmentally friendly use period: unlimited = EFUP-e
	No hazardous substances above threshold values

### Drawings

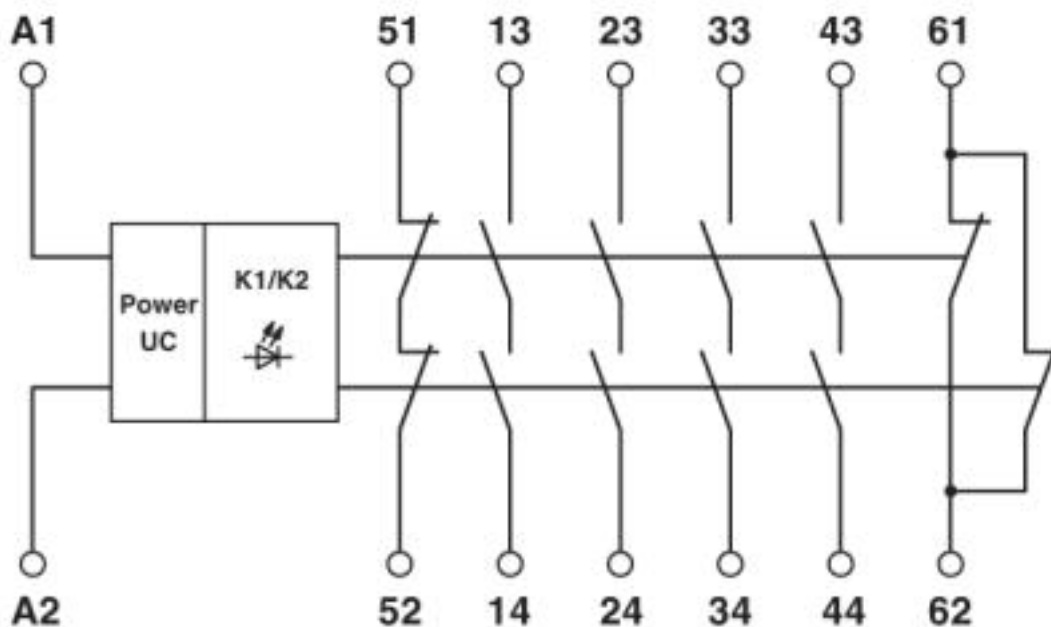
# Extension module - PSR-SPP-42-230UC/URM4/4NO/2NC - 2702925

Application drawing



Two-channel emergency stop monitoring with contact extension

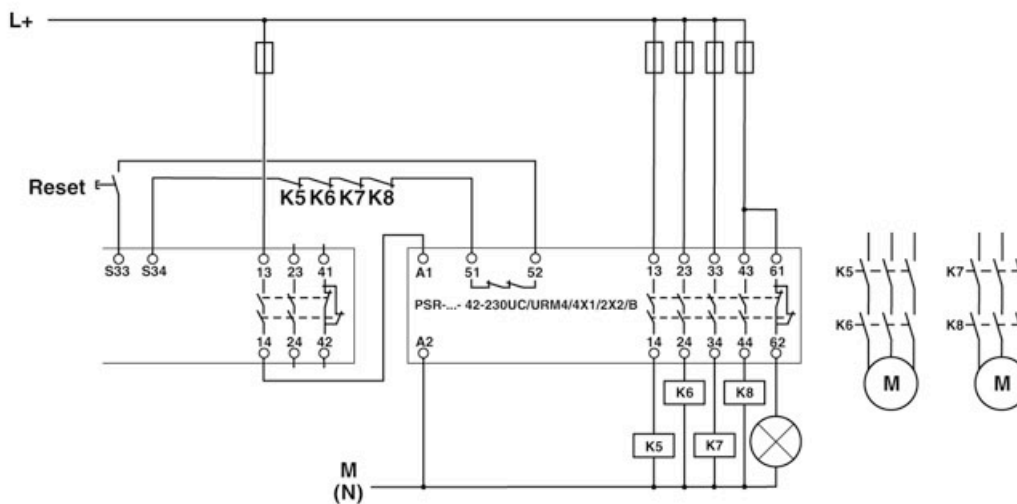
Block diagram



Block diagram

# Extension module - PSR-SPP-42-230UC/URM4/4NO/2NC - 2702925

Application drawing



Contact extension

## Approvals

Approvals

---

Approvals

Functional Safety / UL Listed / cUL Listed / Functional Safety / cULus Listed

---

Ex Approvals

---

Approval details

## Extension module - PSR-SPP-42-230UC/URM4/4NO/2NC - 2702925

### Approvals

Functional Safety		968/EZ 575.01/16
-------------------	--	------------------

UL Listed		<a href="http://database.ul.com/cgi-bin/XYV/template/LISEXT/1FRAME/index.htm">http://database.ul.com/cgi-bin/XYV/template/LISEXT/1FRAME/index.htm</a>	FILE E 140324
-----------	--	---	---------------

cUL Listed		<a href="http://database.ul.com/cgi-bin/XYV/template/LISEXT/1FRAME/index.htm">http://database.ul.com/cgi-bin/XYV/template/LISEXT/1FRAME/index.htm</a>	FILE E 140324
------------	--	---	---------------

Functional Safety		968/EZ 575.01/16
-------------------	--	------------------

cULus Listed	
--------------	--

Phoenix Contact 2019 © - all rights reserved  
<http://www.phoenixcontact.com>

PHOENIX CONTACT GmbH & Co. KG  
Flachsmarktstr. 8  
32825 Blomberg  
Germany  
Tel. +49 5235 300  
Fax +49 5235 3 41200  
<http://www.phoenixcontact.com>