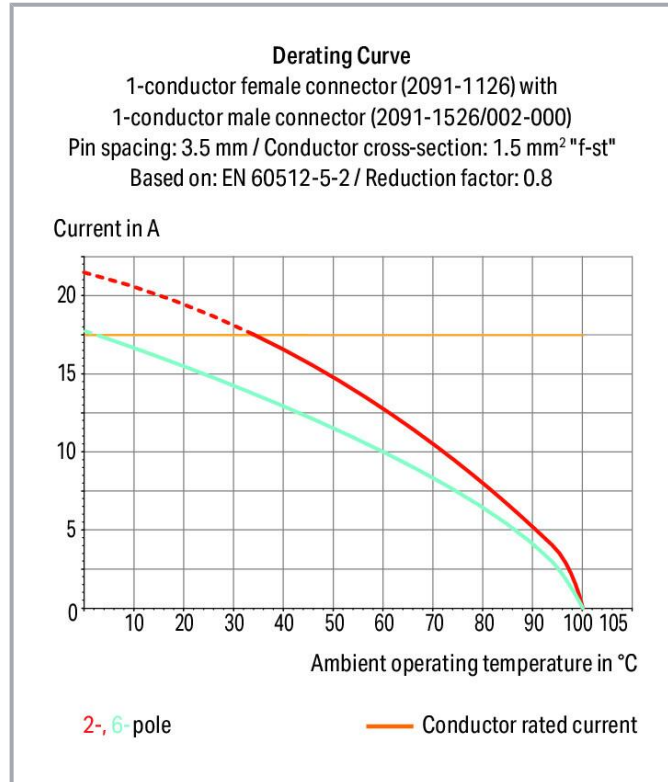


**Data sheet | Item number: 2091-1506/002-000**

1-conductor male connector; Push-in CAGE CLAMP®; 1.5 mm<sup>2</sup>; Pin spacing 3.5 mm; 6-pole; Gripping plate; 1,50 mm<sup>2</sup>; light gray



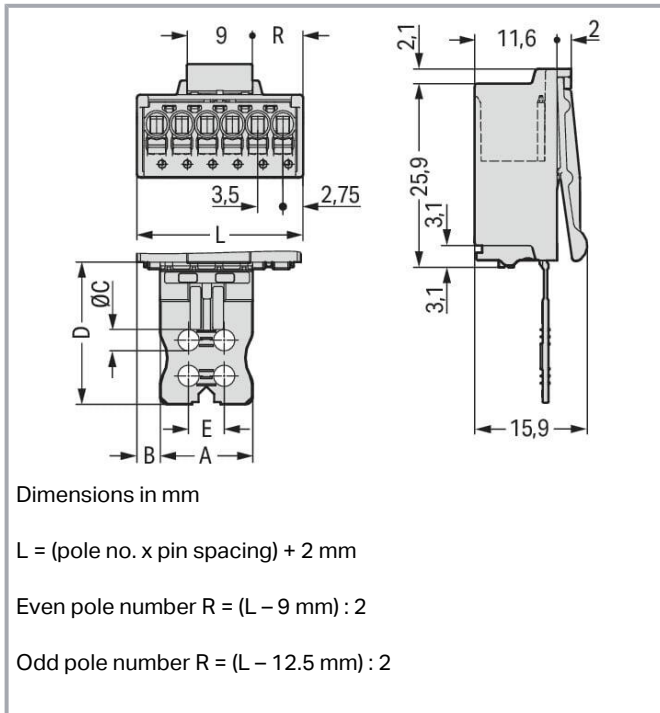
[www.wago.com/2091-1506/002-000](http://www.wago.com/2091-1506/002-000)



Subject to changes. Please also observe the further product documentation!

WAGO GmbH & Co. KG  
Hansastr. 27  
32423 Minden  
Phone: +49571 887-0 | Fax: +49571 887-169  
Email: [info.de@wago.com](mailto:info.de@wago.com) | Web: [www.wago.com](http://www.wago.com)

Do you have any questions about our products?  
We are always happy to take your call at +49 (571) 887-44222.



## Item description

- Universal connection for all conductor types
- Simple, push-in termination of solid and ferruled conductors
- Easy-to-use design does not require special tools
- Testing parallel to conductor entry – tip contact
- For “wire-to-wire” and “board-to-wire” connections
- Integrated release lever

## Data

### Notes

#### Safety information

The **picoMAX® Pluggable Connection System** includes connectors without breaking capacity in accordance with DIN EN 61984. When used as intended, these connectors must not be connected /disconnected when live or under load. The circuit design should ensure header pins, which can be touched, are not live when unmated.

#### Variants:

Direct marking

Other versions (or variants) can be requested from WAGO Sales or configured at <https://configurator.wago.com/>.

Subject to changes. Please also observe the further product documentation!

WAGO GmbH & Co. KG

Hansastr. 27

32423 Minden

Phone: +49571 887-0 | Fax: +49571 887-169

Email: [info.de@wago.com](mailto:info.de@wago.com) | Web: [www.wago.com](http://www.wago.com)

Do you have any questions about our products?

We are always happy to take your call at +49 (571) 887-44222.

## Electrical data

### Ratings per IEC/EN

| Ratings per                   | IEC/EN 60664-1                                                    |
|-------------------------------|-------------------------------------------------------------------|
| Nominal voltage (III/3)       | 160 V                                                             |
| Rated impulse voltage (III/3) | 2.5 kV                                                            |
| Rated voltage (III/2)         | 160 V                                                             |
| Rated impulse voltage (III/2) | 2.5 kV                                                            |
| Nominal voltage (II/2)        | 320 V                                                             |
| Rated surge voltage (II/2)    | 2.5 kV                                                            |
| Rated current                 | 10 A                                                              |
| Legend (ratings)              | (III / 2) $\hat{=}$ Overvoltage category III / Pollution degree 2 |

### Ratings per UL 1059

| Approvals per                  | UL 1059 |
|--------------------------------|---------|
| Rated voltage UL (Use Group B) | 300 V   |
| Rated current UL (Use Group B) | 10 A    |
| Rated voltage UL (Use Group D) | 300 V   |
| Rated current UL (Use Group D) | 10 A    |

## Connection data

|                            |   |
|----------------------------|---|
| Connection points          | 6 |
| Total number of potentials | 6 |
| Number of connection types | 1 |
| Number of levels           | 1 |

### Connection 1

|                                                   |                                             |
|---------------------------------------------------|---------------------------------------------|
| Connection technology                             | Push-in CAGE CLAMP®                         |
| Actuation type                                    | Push-button                                 |
| Actuation direction 1                             | Operation parallel to conductor entry       |
| Solid conductor                                   | 0.2 ... 1.5 mm <sup>2</sup> / 24 ... 14 AWG |
| Fine-stranded conductor                           | 0.2 ... 1.5 mm <sup>2</sup> / 24 ... 14 AWG |
| Fine-stranded conductor; with insulated ferrule   | 0.25 ... 0.75 mm <sup>2</sup>               |
| Fine-stranded conductor; with uninsulated ferrule | 0.25 ... 1.5 mm <sup>2</sup>                |
| Strip length                                      | 8 ... 9 mm / 0.31 ... 0.35 inches           |
| Pole number                                       | 6                                           |

Subject to changes. Please also observe the further product documentation!



## Physical data

|             |                        |
|-------------|------------------------|
| Pin spacing | 3.5 mm / 0.138 inches  |
| Width       | 23 mm / 0.906 inches   |
| Height      | 15.9 mm / 0.626 inches |
| Depth       | 47 mm / 1.85 inches    |

## Mechanical Data

|                          |                     |
|--------------------------|---------------------|
| Variable coding          | Yes                 |
| Design                   | With gripping plate |
| Anti-rotation protection | Yes                 |

## Plug-in connection

|                                      |                     |
|--------------------------------------|---------------------|
| Contact type (pluggable connector)   | Male connector/plug |
| Connector (connection type)          | for conductor       |
| Mismatching protection               | No                  |
| Plugging without loss of pin spacing | Yes                 |
| Locking of plug-in connection        | Locking latch       |

## Material Data

|                             |                                                          |
|-----------------------------|----------------------------------------------------------|
| Note (material data)        | Information on material specifications can be found here |
| Color                       | light gray                                               |
| Material group              | I                                                        |
| Insulation material         | Polyphthalamide (PPA GF)                                 |
| Flammability class per UL94 | V0                                                       |
| Clamping spring material    | Chrome-nickel spring steel (CrNi)                        |
| Contact material            | Electrolytic copper (E <sub>Cu</sub> )                   |
| Contact plating             | Tin                                                      |
| Fire load                   | 0.149 MJ                                                 |
| Weight                      | 6.3 g                                                    |

## Environmental requirements

|                         |                 |
|-------------------------|-----------------|
| Limit temperature range | -60 ... +100 °C |
| Processing temperature  | -35 ... +60 °C  |

Subject to changes. Please also observe the further product documentation!

WAGO GmbH & Co. KG  
Hansastr. 27  
32423 Minden  
Phone: +49571 887-0 | Fax: +49571 887-169  
Email: [info.de@wago.com](mailto:info.de@wago.com) | Web: [www.wago.com](http://www.wago.com)

Do you have any questions about our products?  
We are always happy to take your call at +49 (571) 887-44222.

## Commercial data





|                       |                         |
|-----------------------|-------------------------|
| Product Group         | 26 (picoMAX Connectors) |
| eCl@ss 10.0           | 27-14-11-06             |
| eCl@ss 9.0            | 27-14-11-06             |
| ETIM 8.0              | EC001284                |
| ETIM 7.0              | EC001284                |
| PU (SPU)              | 50 pcs                  |
| Packaging type        | box                     |
| Country of origin     | DE                      |
| GTIN                  | 4050821161332           |
| Customs tariff number | 85366990990             |

## Environmental Product Compliance

|                        |                         |
|------------------------|-------------------------|
| RoHS Compliance Status | Compliant, No Exemption |
|------------------------|-------------------------|

## Approvals / Certificates

### General approvals

| Logo                                                                               | Approval                              | Additional Approval Text | Certificate name |
|------------------------------------------------------------------------------------|---------------------------------------|--------------------------|------------------|
|                                                                                    | CB<br>DEKRA Certification B.V.        | IEC 61984                | NL-49736 /A1     |
|  | CSA<br>DEKRA Certification B.V.       | C22.2 No. 158            | 2362521          |
|  | CSA<br>DEKRA Certification B.V.       | C22.2                    | 2362521          |
|  | KEMA/KEUR<br>DEKRA Certification B.V. | EN 61984                 | 71-102260 REV.1  |
|  | UL<br>Underwriters Laboratories Inc.  | UL 1977                  | E45171           |
|                                                                                    | UR<br>Underwriters Laboratories Inc.  | UL 1059                  | E45172           |

Subject to changes. Please also observe the further product documentation!



## Counterpart



**Item no.2091-1126**

1-conductor female connector; push-button; Push-in CAGE CLAMP®; 1.5 mm<sup>2</sup>; Pin spacing 3.5 mm; 6-pole; 1,50 mm<sup>2</sup>; light gray

[www.wago.com/2091-1126](http://www.wago.com/2091-1126)



**Item no.2091-1306**

THT female header; straight; Pin spacing 3.5 mm; 6-pole; 0.4 x 0.9 mm solder pin; light gray

[www.wago.com/2091-1306](http://www.wago.com/2091-1306)



**Item no.2091-1326**

THT female header; angled; Pin spacing 3.5 mm; 6-pole; 0.4 x 0.9 mm solder pin; light gray

[www.wago.com/2091-1326](http://www.wago.com/2091-1326)

## Optional accessories

### Coding

Coding



**Item no.: 2091-1610**

Coding key carrier; suitable for 3.5 mm pin spacing; orange

[www.wago.com/2091-1610](http://www.wago.com/2091-1610)

## Downloads

### Documentation

#### Additional Information

|                        |            |        |          |
|------------------------|------------|--------|----------|
| Technical Section      | 2019 Apr 3 | pdf    | Download |
| Technical explanations |            | 2.0 MB |          |

### CAD/CAE-Data

#### CAD data

|                                |     |          |
|--------------------------------|-----|----------|
| 2D/3D Models 2091-1506/002-000 | URL | Download |
|--------------------------------|-----|----------|

#### CAE data

|                                |     |          |
|--------------------------------|-----|----------|
| ZUKEN Portal 2091-1506/002-000 | URL | Download |
|--------------------------------|-----|----------|

Subject to changes. Please also observe the further product documentation!

WAGO GmbH & Co. KG  
 Hansastr. 27  
 32423 Minden  
 Phone: +49571 887-0 | Fax: +49571 887-169  
 Email: [info.de@wago.com](mailto:info.de@wago.com) | Web: [www.wago.com](http://www.wago.com)

Do you have any questions about our products?  
 We are always happy to take your call at +49 (571) 887-44222.



## Environmental Product Compliance

### Compliance Search

Environmental Product Compliance 2091-1506/002-000

URL

Download

1-conductor male connector; Push-in CAGE CLAMP®; 1.5 mm<sup>2</sup>; Pin spacing 3.5 mm;  
6-pole; Gripping plate; 1,50 mm<sup>2</sup>; light gray

---

## Installation Notes

Subject to changes. Please also observe the further product documentation!

---

WAGO GmbH & Co. KG

Hansastr. 27

32423 Minden

Phone: +49571 887-0 | Fax: +49571 887-169

Email: [info.de@wago.com](mailto:info.de@wago.com) | Web: [www.wago.com](http://www.wago.com)

Do you have any questions about our products?

We are always happy to take your call at +49 (571) 887-44222.