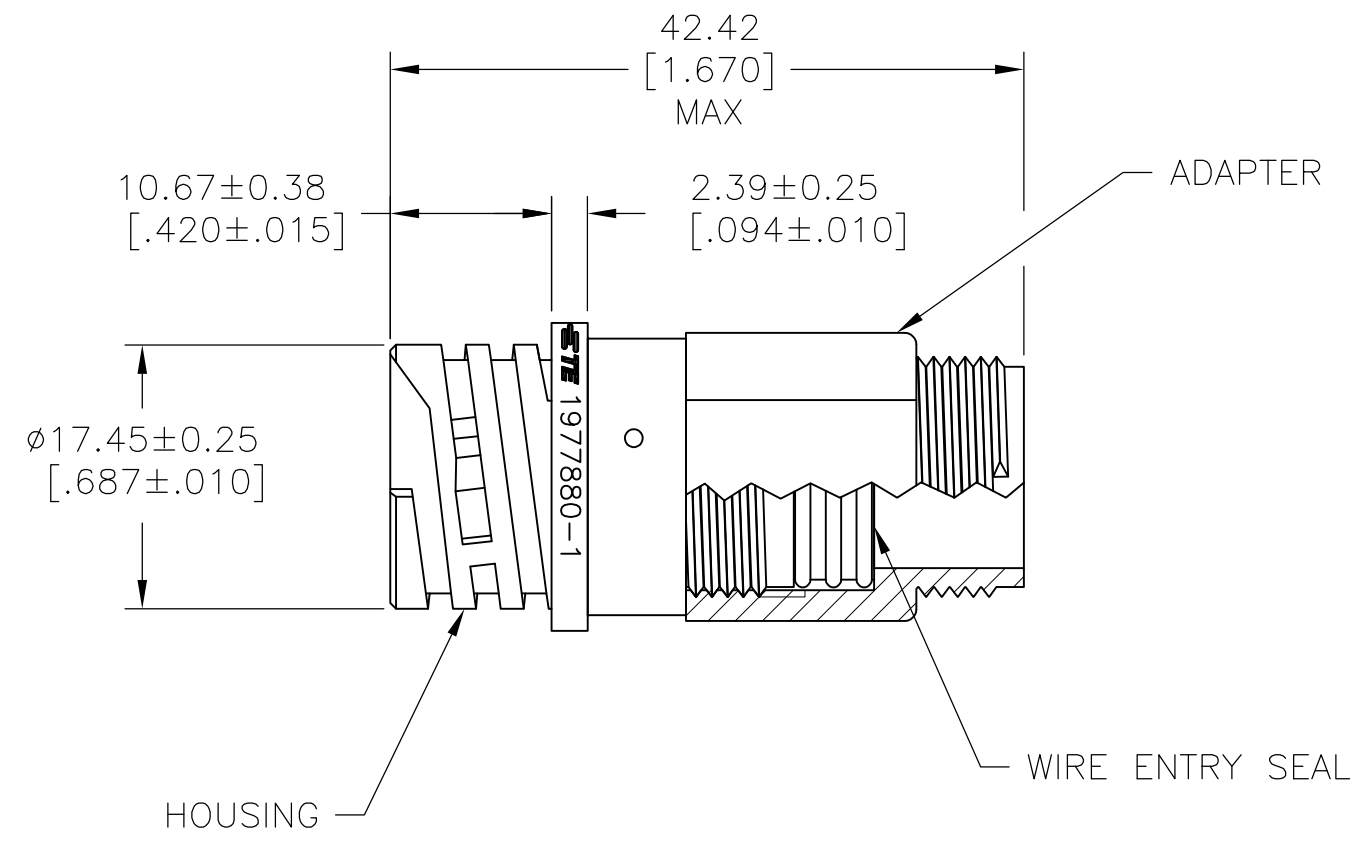
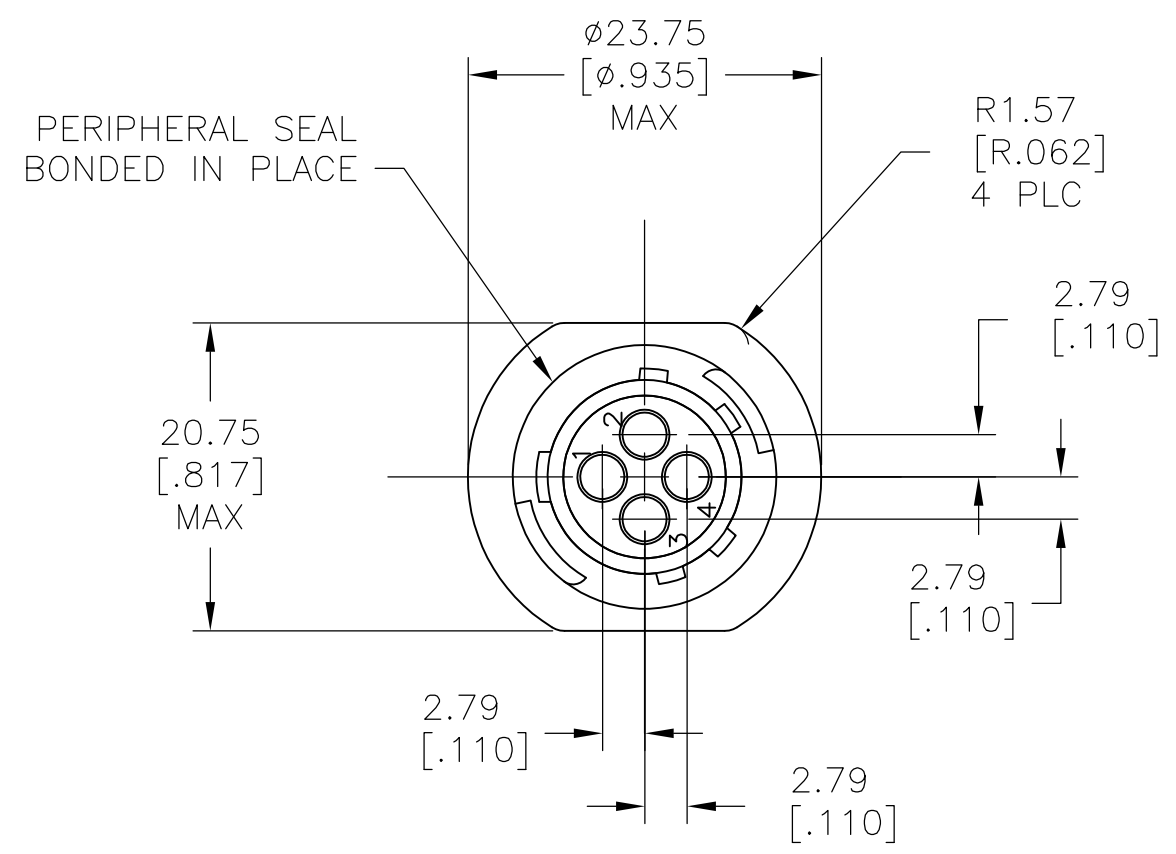



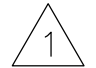
THIS DRAWING IS UNPUBLISHED. RELEASED FOR PUBLICATION
 © COPYRIGHT - By - ALL RIGHTS RESERVED.

| LOC | DIST | REVISIONS | | | |
|-----|------|-------------|-------------------------------|---------|-------|
| P | LTR | DESCRIPTION | DATE | DWN | APVD |
| FT | 0 | A | NEW DRAWING PER ECO-12-018480 | 08NOV12 | KH MZ |

- 1 HOUSING & ADAPTER: NYLON 6/6, BLACK.
WIRE ENTRY SEAL: ELASTOMER, RED.
- 2 THIS CONNECTOR WILL ACCEPT
FOUR (4) MULTIMATE SOCKET CONTACTS.



1977880-1
PART NUMBER

| | | | | | |
|---|--|-------------------------------|---|-----------------|----------|
| THIS DRAWING IS A CONTROLLED DOCUMENT. | | DWN KIRAN HOLAL 08NOV12 |  TE Connectivity | | |
| DIMENSIONS: MM [INCHES] | | CHK M ZITTO 08NOV12 | | | |
| TOLERANCES UNLESS OTHERWISE SPECIFIED: | | APVD M ZITTO 08NOV12 | NAME CPC FREE HANGING RECEPTACLE ASSEMBLY, SERIES 1, SEALED, 11-4, REVERSE SEX, UV RESISTANT | | |
| 0 PLC $\pm -$ 1 PLC $\pm -$ 2 PLC ± 0.13 [.005] 3 PLC $\pm -$ 4 PLC $\pm -$ ANGLES $\pm -$ | | PRODUCT SPEC 108-1579 | DRAWING NO A3 00779 C-1977880 | | |
| MATERIAL | | APPLICATION SPEC 114-10038 | RESTRICTED TO | - | |
| FINISH | | WEIGHT - | SCALE 2:1 | SHEET 1 OF 1 | REV A |
|  | | CUSTOMER DRAWING | | | |