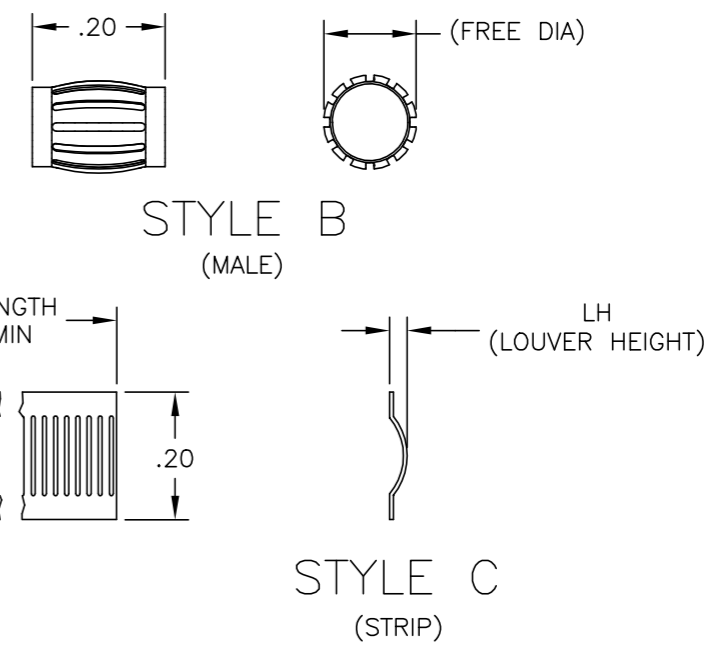


THIS DRAWING IS UNPUBLISHED. RELEASED FOR PUBLICATION
 © COPYRIGHT - By - ALL RIGHTS RESERVED.

REVISIONS				
P	LTR	DESCRIPTION	DATE	APVD
L		REVISED PER ECO-15-012365	17NOV2015	NK MZ
M		REVISED PER ECO-17-013723	21SEP2017	RS MZ
N		REVISED PER ECO-19-015808	22OCT2019	RS MZ

(FREE DIA)	LH	STYLE	MATING DIA	NUM LOUV	MAT'L (NOTE NO)	PLATING	MAT'L THK	REF	PART NUMBER	
[.09]	[.016]	B	[.080]	6	12	1-2	0.12[.005]	--	5-192045-4	OBSOLETE
[.09]	[.016]	B	[.080]	6	12	UNPL	0.12[.005]	--	5-392045-3	△
[5.98]	[.020]	B	[6.040]	667	12	1-2	0.12[.005]	05091	5-192045-2	OBSOLETE
[5.98]	[.020]	B	[5.980]	667	12	UNPL	0.12[.005]	05085	5-192045-1	OBSOLETE
[5.00]	[.020]	B	[5.040]	557	12	1-2	0.12[.005]	05092	5-192045-0	OBSOLETE
[5.00]	[.020]	B	[4.980]	557	12	UNPL	0.12[.005]	05084	4-192045-9	OBSOLETE
[4.84]	[.020]	B	[4.880]	539	12	1-2	0.12[.005]	05093	4-192045-8	OBSOLETE
[4.68]	[.020]	B	[4.660]	521	12	UNPL	0.12[.005]	05083	4-192045-7	OBSOLETE
[3.38]	[.020]	B	[3.410]	375	12	1-2	0.12[.005]	05089	4-192045-6	OBSOLETE
[3.22]	[.020]	B	[3.000]	335	12	1-2	0.12[.005]	--	4-192045-5	OBSOLETE △
[3.22]	[.016]	B	[3.000]	335	12	1-2	0.12[.005]	05086	4-192045-4	OBSOLETE
[2.76]	[.016]	B	[2.750]	305	12	1-2	0.12[.005]	05073	4-192045-3	OBSOLETE
[2.07]	[.020]	B	[2.100]	228	12	3-2	0.12[.005]	05090	4-192045-2	OBSOLETE
[1.51]	[.020]	B	[1.500]	166	12	3-2	0.15[.006]	--	4-192045-1	OBSOLETE
		B	[1.375]	153	12	1-2	0.12[.005]	05087	4-192045-0	OBSOLETE
[1.13]	[.018]	B	[1.120]	122	12	UNPL	0.12[.005]	05177	3-192045-9	OBSOLETE
[.97]	[.020]	B	[.950]	105	12	1-2	0.12[.005]	05094	3-192045-8	OBSOLETE
[.97]	[.020]	B	[.950]	105	12	UNPL	0.12[.005]	05101	3-192045-7	OBSOLETE
[.95]	[.016]	B	[.938]	102	12	1-2	0.12[.005]	05074	3-192045-6	OBSOLETE
[.70]	[.016]	B	[.688]	74	12	1-2	0.12[.005]	05072	3-192045-5	OBSOLETE
[.66]	[.020]	B	[.625]	70	12	3-2	0.15[.006]	05024	3-192045-4	OBSOLETE
[.67]	[.018]	B	[.598]	71	12	3-2	0.12[.005]	05178	3-192045-3	OBSOLETE
[.48]	[.020]	B	[.504]	54	12	3-2	0.15[.006]	05123	3-192045-2	OBSOLETE
[.48]	[.020]	B	[.504]	54	12	1-2	0.15[.006]	05021	3-192045-1	△
[.48]	[.020]		[.504]	54	12	UNPL	0.15[.006]	--	3-192045-0	△
								05171	2-192045-9	OBSOLETE
								05170	2-192045-8	OBSOLETE
[.47]	[.016]	B	[.433]	49	12	3-2	0.15[.006]	05140	2-192045-7	OBSOLETE
[.43]	[.020]	B	[.399]	44	12	3-2	0.12[.005]	05020	2-192045-6	△
[.39]	[.016]	B	[.375]	39	12	1-2	0.12[.005]	05076	2-192045-5	OBSOLETE
[.32]	[.020]	B	[.312]	32	12	UNPL	0.12[.005]	05100	2-192045-4	OBSOLETE △
[.27]	[.020]	B	[.250]	26	12	3-2	0.15[.006]	05017	2-192045-3	OBSOLETE
[.26]	[.016]		[.250]	26		1-2	0.12[.005]	05071	2-192045-2	OBSOLETE △
								05186	2-192045-1	OBSOLETE
[.18]	[.020]	B	[.164]	16	12	3-2	0.15[.006]	05014	2-192045-0	
[.18]	[.020]	B	[.164]	16	12	UNPL	0.15[.006]	05028	1-192045-9	
[.17]	[.016]		[.156]	14	12	1-2	0.12[.005]	05075	1-192045-8	OBSOLETE △
								05027	1-192045-7	OBSOLETE
[.15]	[.020]	B	[.140]	12	12	6-7	0.10[.004]	05187	1-192045-6	OBSOLETE
[.15]	[.020]	B	[.140]	12	12	3-2	0.10[.004]	05166	1-192045-5	
[.15]	[.020]	B	[.140]	12	12	UNPL	0.10[.004]	05165	1-192045-4	△
[.14]	[.020]	B	[.125]	11	12	1-2	0.12[.005]	05096	1-192045-3	
	[.022]	C	--	△15	12	5-2	0.10[.004]	05119	1-192045-2	OBSOLETE
	[.022]	C	--	△14	12	3-2	0.15[.006]	05002	1-192045-1	
	[.022]	C	--	△14	12	UNPL	0.15[.006]	05048	1-192045-0	
	[.018]	C	--	△14	12	UNPL	0.15[.006]	--	192045-9	OBSOLETE
	[.029]	C	--	△14	12	1-2	0.12[.005]	--	192045-8	
	[.029]	C	--	△14	12	UNPL	0.12[.005]	05185	192045-7	△
	[.022]	C	--	△14	12	3-2	0.12[.005]	--	192045-6	
	[.022]	C	--	△14	12	1-2	0.12[.005]	05097	192045-5	
	[.022]	C	--	△14	12	UNPL	0.12[.005]	05055	192045-4	OBSOLETE
	[.018]	C	--	△14	12	UNPL	0.12[.005]	--	192045-3	
	[.027]	C	--	△14	12	3-2	0.10[.004]	05164	192045-2	△
	[.027]	C	--	△14	12	UNPL	0.10[.004]	05167	192045-1	



- FINISH-SILVER PLATE 200uIN THICK MIN.
- FINISH-NICKEL PLATE 40uIN THICK MIN.
- FINISH-GOLD PLATE 10uIN THICK MIN.
- FINISH-GOLD PLATE 50uIN THICK MIN.
- FINISH-GOLD PLATE 20uIN THICK MIN.
- FINISH-GOLD PLATE 200uIN THICK MIN.
- FINISH-COPPER PLATE 10uIN THICK MIN.
-
-
-
- PLATING NOTES ARE TO BE INTERPRETED AS FOLLOWS, 6-8 AS 6 OVER 8.
- MATERIAL-CDA172, BeCu.
- MATERIAL-STAINLESS STEEL.
- △14 PRODUCT IS SOLD BY THE FOOT.
- △15 72 INCH STRIP WOUND TO ONE INCH INSIDE DIAMETER.
- △16 PRELIMINARY PART NO.
- △17 OBSOLETE PARTS: OBSOLETE CIS STREAMLINING PER D.RENAUD/D.SINISI

THIS DRAWING IS A CONTROLLED DOCUMENT.		DWN	-	STE TE Connectivity	
		CHK	J.TURNER 08-04-93		
DIMENSIONS: INCHES		APVD	-	NAME	
TOLERANCES UNLESS OTHERWISE SPECIFIED:		PRODUCT SPEC		CONTACT BAND, LAV MALE	
0 PLC ± -		APPLICATION SPEC		SIZE CAGE CODE DRAWING NO RESTRICTED TO	
1 PLC ± -		WEIGHT		A2 00779 C=192045	
2 PLC ± .02		CUSTOMER DRAWING		SCALE 1:1 SHEET 1 of 2 REV N	
3 PLC ± .010					
4 PLC ± -					
ANGLES ± -					
FINISH					
SEE TABLE					

