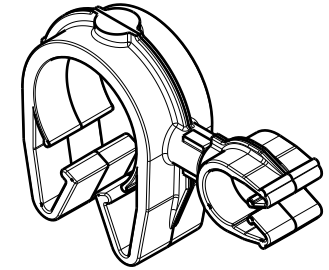
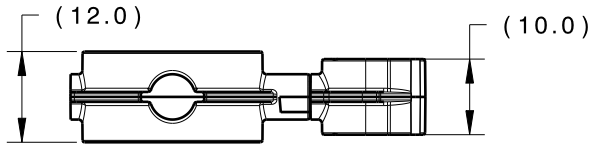
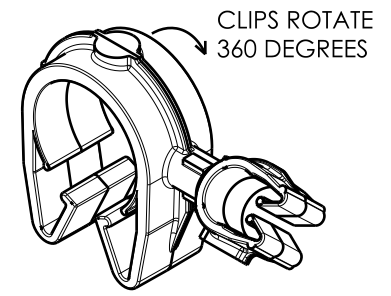
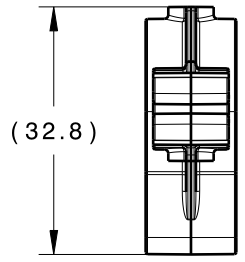
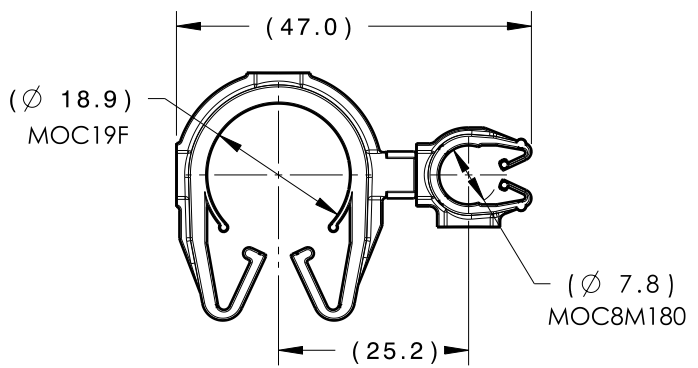


Revision Level			Revision Record	Changed	Date	Approved	Date
Drawing	State	Part					
00.1	Design Release	-	SEE ECN# 014773	TAT	11/30/2018	EJH	11/30/2018



ISOMETRIC VIEW



ISOMETRIC VIEW ROTATED

TYPE	MOC19F	MOC8M180
HARNESS	17.0MM - 20.0MM	7.5MM - 8.5MM
HOSE	17.0MM - 20.0MM	7.0MM - 8.5MM
HARD PIPE/TUBE	19.0MM - 21.8MM	7.9MM - 8.5MM

*RECOMMENDED SIZES MAY DIFFER DEPENDING ON THE APPLICATION, PRODUCT REQUIREMENTS AND MATERIALS USED

**PATENT PENDING 29/582,271

GLOBAL PART DESCRIPTION	MOC19F**			MOC8M180		
	DRAWING	MATERIAL	COLOR	DRAWING	MATERIAL	COLOR
MOC19FMOC8M180-PA66HIRHSUV-BK	16-0322-000-CSU	PA66HIRHSUV	BLACK	16-0316-000-CSU	PA66HIRHSUV	BLACK

Material SEE CHART COLOR: SEE CHART	Units	millimeters	The copyright of this drawing is reserved by HellermannTyton. It is issued on condition that it is not reproduced, copied or disclosed to a third party, either wholly or in part, without the consent of HellermannTyton.	Drawn	CJR	9/25/18	Article/Type-No	MOC19FMOC8M180		Scale	1:1
	Tolerance defined on each dimension			Approved	TAT	9/25/18		Title	19MM MOC COUPLED TO A 8MM MOC M180		Project Number
				 North America Email: corp@htamericas.com Web: www.hellermann.tyton.com			Drawing-No		PRODUCTION : Phase	Format	AH
							16-0330-622-CSU		Sheet	1/1	