

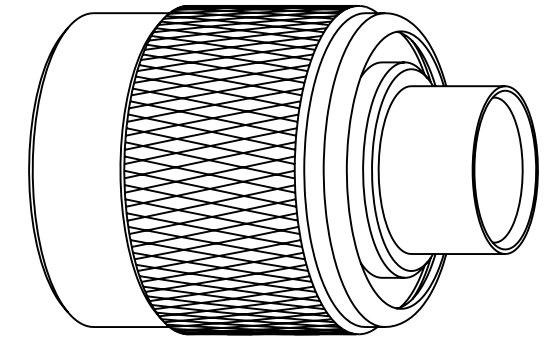
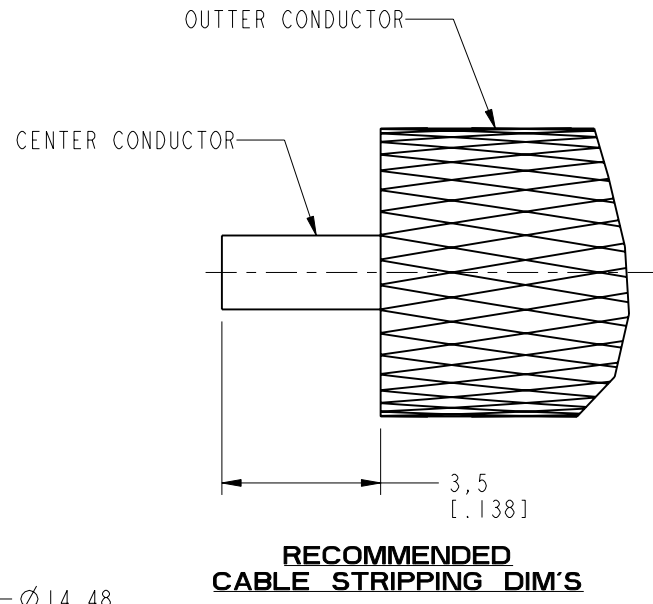
NOTES:

1. MATERIAL AND FINISHES:
 - COUPLING NUT - BRASS, NICKEL PLATING
 - WASHER - BRASS, NICKEL PLATING
 - RING - DELRIN, NATURAL
 - RETAINER RING - BRASS, NICKEL PLATING
 - GASKET - SILICONE RUBBER, RED
 - BODY - BRASS, GOLD PLATING
 - CONTACT - BRASS, GOLD PLATING
 - INSULATOR - PTFE, NATURAL
2. ELECTRICAL:
 - A. IMPEDANCE: 50 OHMS
 - B. FREQUENCY RANGE: DC - 11 GHz
 - C. DIELECTRIC WITHSTANDING VOLTAGE: 1500 VRMS, MIN.
3. MECHANICAL:
 - A. DURABILITY: 500 CYCLES MIN.
 - B. TEMPERATURE RANGE: -40°C TO +85°C
4. CONTACT PIN TO SOLDER

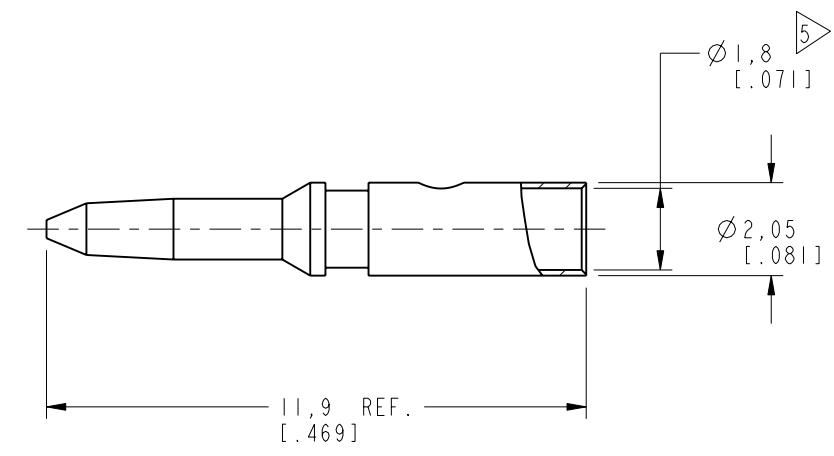
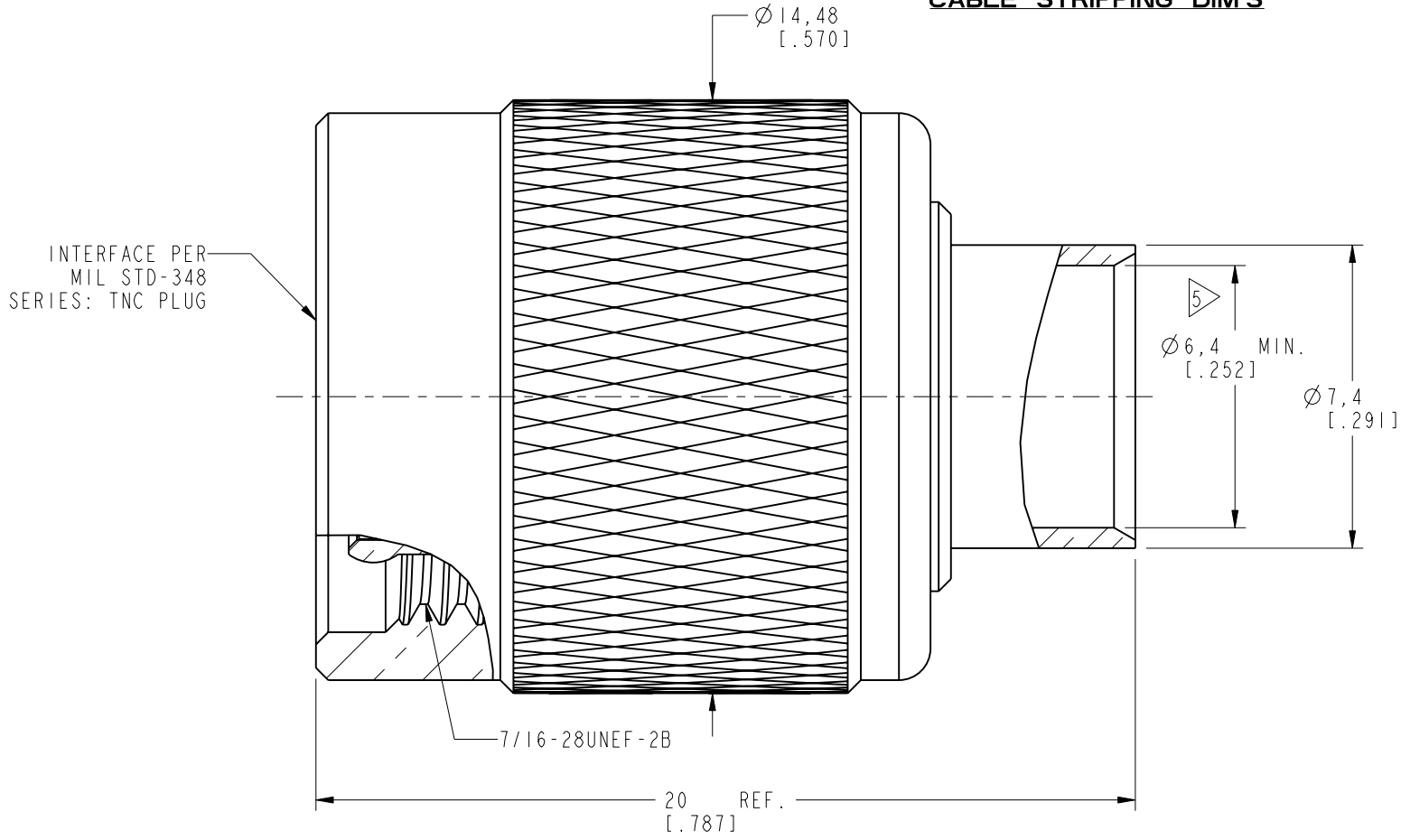
5 SHOWS CABLE ENTRY DIMENSIONS

THIRD ANGLE PROJ.

REVISIONS				
REV	DESCRIPTION	DATE	ECN	APPR
NC	INITIAL RELEASE	04-Aug-02	-----	GRS
B	SYNC, CORRECT THE COUPLING NUT PLATING TO NA	28-Sep-18	-----	MZ



SCALE 3.000



CUSTOMER OUTLINE DRAWING
ALL OTHER SHEETS ARE FOR INTERNAL USE ONLY

UNLESS OTHERWISE SPECIFIED, DIMENSIONS ARE IN METRIC AND TOLERANCES ARE: <0.5mm ±0.05mm 0.5 - 6mm ±0.1mm 6 - 30mm ±0.2mm 30 - 120mm ±0.3mm ANGLES ±1°	MATERIAL	DRAWN	DATE	TITLE TNC DIRECT SOLDER PLUG (FOR .250" SEMI RIGID CABLE)	Amphenol RF www.amphenolrf.com	
	SEE NOTES	M. ZHANG	28-Sep-18			
NOTICE - These drawings, specifications, or other data (1) are, and remain the property of Amphenol corp. (2) must be returned upon request; and (3) are confidential and not to be disclosed to any person other than those to whom they are given by Amphenol Corp. the furnishing of these drawings, specifications, or other data by Amphenol Corp., or to any other person to anyone for any purpose is not to be regarded by implication or otherwise in any manner licensing, granting rights to permitting such holder or any other person to manufacture, use or sell any product, process or design, patented or otherwise, that may in any way be related to or disclosed by said drawings, specifications, or other data.	REFERENCE	ENGINEER	DATE	SCALE: 6.0:1.0 SHEET 2 OF 2	DRAWING NO. T1181A3-N/3GT3G-.25-50	
	EAR#	N. CAO	17-Sep-03		ITEM NO. 021181AAE03NF5F	
	REF:	APPROVED	S. HSIEH	DATE	DWG SIZE B	PART NO. 122484
	CONFIGURATION LEVEL: In Work	FINISH		28-Sep-18		REV B