

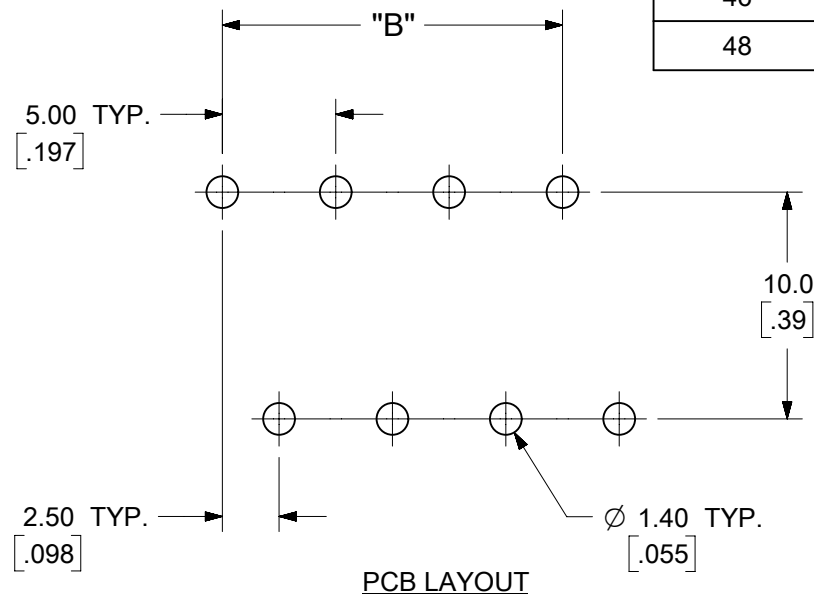
SPECIFICATIONS:

1. MATERIAL:
 - (A) BODY: PA66 (UL 94V-0)
 - (B) COVER: PBT (UL 94V-0)
 - (C) LONG TERMINAL: BRASS
 - (D) SHORT TERMINAL: BRASS
2. ELECTRICAL RATING: 300V, 15A
3. DIELECTRIC WITHSTAND: AC 2500V FOR 1 MINUTE
4. BREAKDOWN VOLTAGE: 4000V
5. INSULATION RESISTANCE: DC 1000V, 1000 MEGOHMS.
6. OPERATING TEMPERATURE: -40°C TO +105°C.
7. NUMBER OF CIRCUIT POSITIONS AVAILABLE= 4 THROUGH 48, EVEN NUMBERED CIRCUIT SIZES ONLY.
8. ALL COMPONENTS ARE ROHS COMPLIANT.
9. DIMS SHOWN ARE FOR REFERENCE ONLY.

SYMBOLS	THIS DRAWING CONTAINS INFORMATION THAT IS PROPRIETARY TO MOLEX ELECTRONIC TECHNOLOGIES, LLC AND SHOULD NOT BE USED WITHOUT WRITTEN PERMISSION		
	DIMENSION UNITS	SCALE	
▽ = 0	MM/INCH	3:1	
▽ = 0	GENERAL TOLERANCES (UNLESS SPECIFIED)		
▽ = 0		MM	INCH
▽ = 0	4 PLACES ±	---	---
▽ = 0	3 PLACES ±	---	SEE CHART
▽ = 0	2 PLACES ±	SEE CHART	SEE CHART
▽ = 0	1 PLACE ±	SEE CHART	---
▽ = 0	0 PLACES ±	---	---
⊠ = 0	ANGULAR TOL ±		
■ = 0	DRAFT WHERE APPLICABLE MUST REMAIN WITHIN DIMENSIONS		
▽ = 0	THIRD ANGLE PROJECTION	DRAWING	SERIES
		B-SIZE	39528
	CURRENT REV DESC: MIGRATION TO ECTR/NX		EC NO: 620717
	DRWN: ABENJAMINLW	2019/07/12	
	CHK'D: DACHAMMER	2019/07/16	
	APPR: JFMURPHY	2019/08/02	
	INITIAL REVISION:		
	DRWN: CYORK	2006/07/25	
	APPR: JPAWLICK	2006/07/26	
	MATERIAL NUMBER		CUSTOMER
	SEE SHEET-2	GENERAL MARKET	
	DOCUMENT NUMBER	DOC TYPE	DOC PART
	SD-39528-002	PSD	001
	REVISION		
	A2		
	SHEET NUMBER		
	1 OF 2		

TOLERANCES			
MM	TOL	INCH	TOL
0-6	±0.25	0-.24	±.010
>6-30	±0.40	.24-1.18	±.016
>30-120	±0.50	1.18-4.76	±.020
>120	±0.80	>4.76	±.031

CIRCUIT SIZE	MATERIAL NUMBERS				DIMENSIONAL INFORMATION			
	BLACK		GREEN		DIM. "A"		DIM. "B"	
	100% TIN	30 u" GOLD	100% TIN	30 u" GOLD	mm	inch	mm	inch
4	395281004	395281504	395286004	395286504	12.00	.472	5.00	.197
6	395281006	395281506	395286006	395286506	17.00	.669	10.00	.394
8	395281008	395281508	395286006	395286508	22.00	.866	15.00	.591
10	395281010	395281510	395286006	395286510	27.00	1.063	20.00	.787
12	395281012	395281512	395286006	395286512	32.00	1.260	25.00	.984
14	395281014	395281514	395286006	395286514	37.00	1.457	30.00	1.181
16	395281016	395281516	395286006	395286516	42.00	1.654	35.00	1.378
18	395281018	395281518	395286006	395286518	47.00	1.850	40.00	1.575
20	395281020	395281520	395286006	395286520	52.00	2.047	45.00	1.772
22	395281022	395281522	395286006	395286522	57.00	2.244	50.00	1.969
24	395281024	395281524	395286006	395286524	62.00	2.441	55.00	2.165
26	395281026	395281526	395286006	395286526	67.00	2.638	60.00	2.362
28	395281028	395281528	395286006	395286528	72.00	2.835	65.00	2.559
30	395281030	395281530	395286006	395286530	77.00	3.031	70.00	2.756
32	395281032	395281532	395286006	395286532	82.00	3.228	75.00	2.953
34	395281034	395281534	395286006	395286534	87.00	3.425	80.00	3.150
36	395281036	395281536	395286006	395286536	92.00	3.622	85.00	3.346
38	395281038	395281538	395286006	395286538	97.00	3.819	90.00	3.543
40	395281040	395281540	395286006	395286540	102.00	4.016	95.00	3.740
42	395281042	395281542	395286006	395286542	107.00	4.213	100.00	3.937
44	395281044	395281544	395286006	395286544	112.00	4.409	105.00	4.134
46	395281046	395281546	395286006	395286546	117.00	4.606	110.00	4.331
48	395281048	395281548	395286006	395286548	122.00	4.803	115.00	4.528



TOLERANCES			
MM	TOL	INCH	TOL
0-6	±0.25	0-.24	±.010
>6-30	±0.40	.24-1.18	±.016
>30-120	±0.50	1.18-4.76	±.020
>120	±0.80	>4.76	±.031

SYMBOLS		THIS DRAWING CONTAINS INFORMATION THAT IS PROPRIETARY TO MOLEX ELECTRONIC TECHNOLOGIES, LLC AND SHOULD NOT BE USED WITHOUT WRITTEN PERMISSION	
▽ = 0	DIMENSION UNITS	SCALE	CURRENT REV DESC: MIGRATION TO ECTR/NX
▽ = 0	MM/INCH	3:1	
▽ = 0	GENERAL TOLERANCES (UNLESS SPECIFIED)		
▽ = 0	4 PLACES	± --- ± ---	EC NO: 620717
▽ = 0	3 PLACES	± --- ± SEE CHART	DRWN: ABENJAMINLW 2019/07/12
▽ = 0	2 PLACES	± SEE CHART ± SEE CHART	CHK'D: DACHAMMER 2019/07/16
▽ = 0	1 PLACE	± SEE CHART ± ---	APPR: JFMURPHY 2019/08/02
▽ = 0	0 PLACES	± --- ± ---	INITIAL REVISION:
▽ = 0	ANGULAR TOL	± ---	DRWN: CYORK 2006/07/25
▽ = 0	DRAFT WHERE APPLICABLE MUST REMAIN WITHIN DIMENSIONS		APPR: JPAWLICK 2006/07/26
▽ = 0	THIRD ANGLE PROJECTION	DRAWING	SERIES
		B-SIZE	39528
DOCUMENT NUMBER		DOC TYPE	DOC PART
SD-39528-002		PSD	001
REVISION		SHEET NUMBER	
A2		2 OF 2	
MATERIAL NUMBER		CUSTOMER	
SEE TABLE		GENERAL MARKET	