

Released under the Creative Commons Attribution Share-Alike 4.0 License

<https://creativecommons.org/licenses/by-sa/4.0/>

TITLE: Logomatic SFE

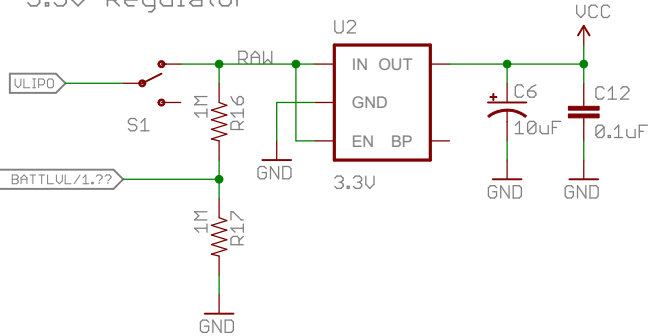
Design by: Taylor and N. Seidle REV: v2.7

Revision by: Uni Klopfenstein

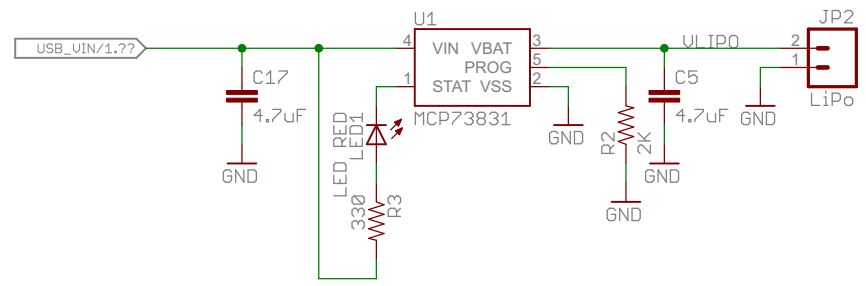
Date: 4/22/2014 1:12:06 PM Sheet: 1/2



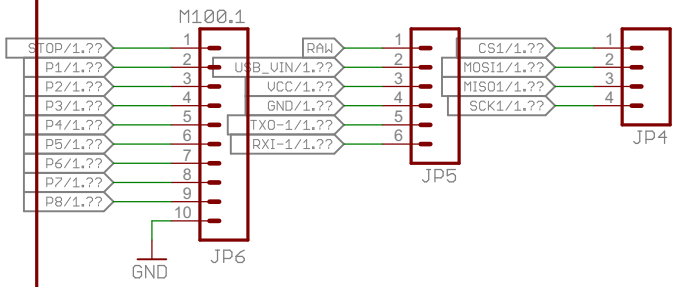
### 3.3V Regulator



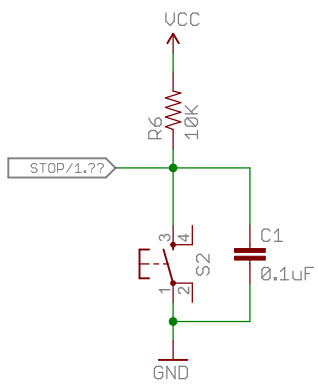
### Charge Circuit



### Breakouts



### Stop Function



Released under the Creative Commons Attribution Share-Alike 4.0 License <a href="https://creativecommons.org/licenses/by-sa/4.0/">https://creativecommons.org/licenses/by-sa/4.0/</a>	
TITLE: Logomatic	
Design by:	REV:
Date: 4/22/2014 1:12:06 PM	Sheet: 2/2