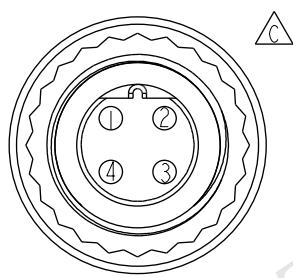
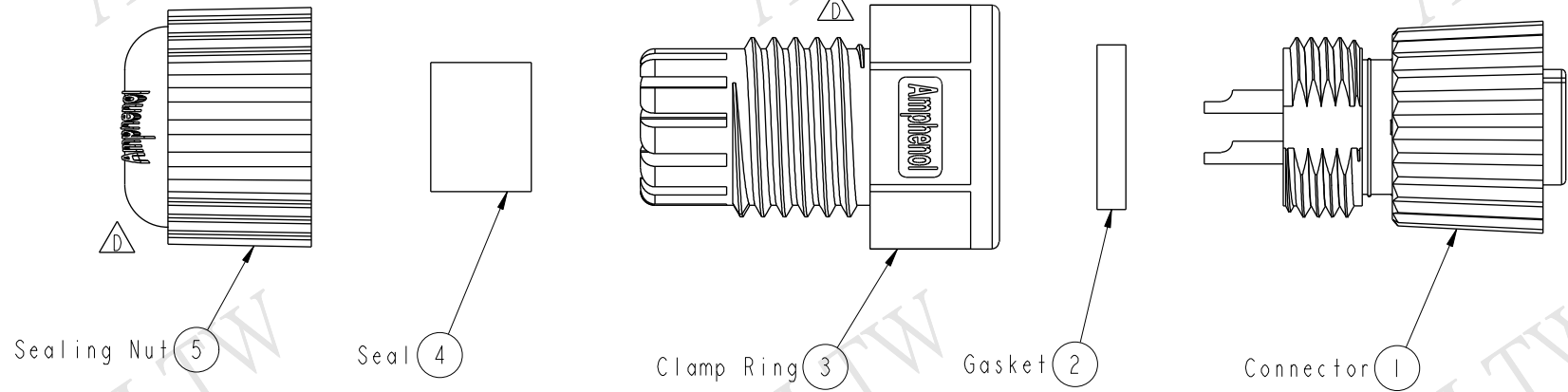


THIS DOCUMENT IS SUBJECT TO CHANGE WITHOUT NOTICE. IT IS CONFIDENTIAL AND A PROPERTY OF Amphenol LTW. DISCLOSURE TO THIRD PARTY HAS TO BE AUTHORIZED BY Amphenol LTW.

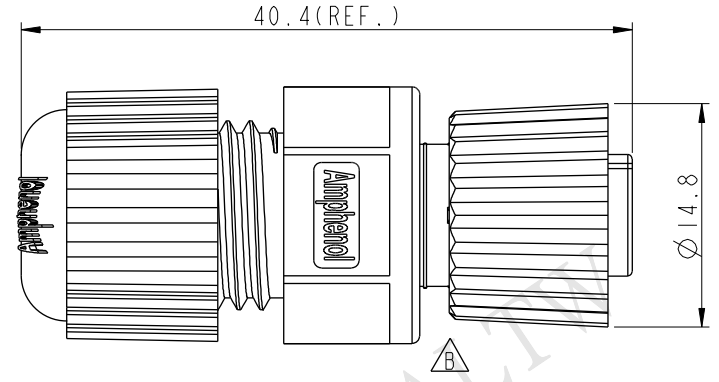
REV.	ECN NO.	DATE	SIGN	DESCRIPTION
B	LEN-6B0126	2006/11/13	Jerry	Remove the section
C	LEN1340073	2013/04/18	Yulong	Update The Drawing
D	LEN14C0428	2014/12/15	Vicky	Update Logo

**ALTW**  
 CONFIDENTIAL  
 2014-12-15  
 R&D DEPT.

**ALTW**  
 DCC. DEPT.  
 CONFIDENTIAL  
 2014.12.23  
 ISSUED



Pin Assignments  
Front View



- Note:
- \* Waterproof Rate: IP68  
IP68: 1M Depth Of Water In 24hours
  - \* Housing: Nylon+GF, Black
  - \* Female Pin: Copper Alloy, Gold Plated
  - \* Screw Nut: Nylon+GF, Black
  - \* O-Ring: Viton, Green
  - \* Gasket: EPDM, Black
  - \* Clamp Ring: Nylon, Black
  - \* Seal: EPDM, Black
  - \* Sealing Nut: Nylon, Black
  - \* Seal For Cable OD:  $\phi 4.5\text{mm} \sim \phi 6.5\text{mm}$

UNIT:mm		
TOLERANCE		
.X	$\pm 0.25$	
.XX	$\pm 0.1$	
.XXX	$\pm 0.05$	
ANGLES	$\pm 1^\circ$	

TITLE M12 B Code Assy Screw 4Pin F Conn F Pin			
SCALE 2:1	SIZE A4	SHEET 1 OF 1	
REV. D	WC-REV. A.3	QC: Inspection item	

**Amphenol LTW**  
 安費諾亮泰企業股份有限公司

ITEM NO SBP-04BFFA-SL8001	DRAWN BY Vicky	DATE 2014-12-15
DWG NO SBP-04BFFA-SL8001	CHECKED BY Sam	DATE 2014-12-15
CUSTOMER ALTW	APPROVED BY Rita	DATE 2014-12-15