

DISTINCTIVE CHARACTERISTICS

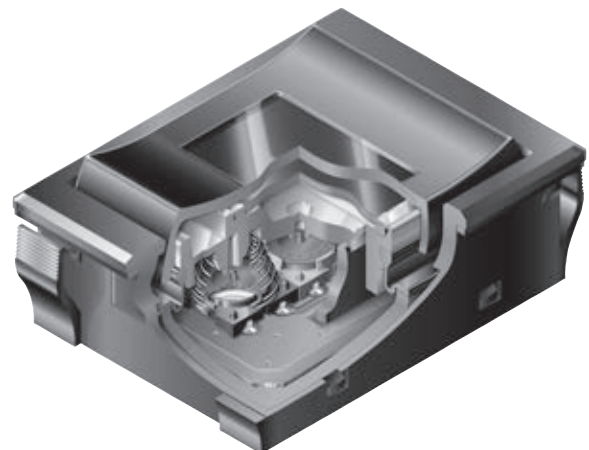
- Organic LED technology in display rocker
- Multifunction programmable device: select with rocker, push for activation
- Replaces multiple switches and displays with one device in a small package
- Broad display aids in navigation, both forward and reverse and up and down, in structured menus
- Wide viewing angle of 180° and large 0.92" display with exceptional contrast
- Conforms to IP64 of IEC60529 Standards on panel surface; dust tight construction of switch prevents entry of dust and improves contact reliability
- Commands and data supplied via serial communications protocol (SPI)
- Long life OLED with 52,000 hours at 30% illumination
- High reliability and long mechanical and electrical life of one million actuations minimum
- Stylish black housing design with matte finish complements any application

Monochrome OLED featuring sharp contrast and high resolution with 96 x 64 pixels


Panel mount with easy, snap-in installation

Short 14.6mm (.575") behind-panel height for compact spaces

Actual Size



SMARTSWITCH PART NUMBER & DESCRIPTION

Part Number	Description
<p>IS18WWC1W</p>	<p>OLED Rocker Switch: SP3T Switch Rocker (ON) (ON) (ON) Pushbutton Normally OFF</p> 

Toggle

Rockers

Pushbuttons

Illuminated PB

E Programmable

Keylocks

Rotaries

Slides

Tactiles

Tilt

Touch

Indicators

Accessories

Supplement

SWITCH SPECIFICATIONS

Circuit	Single Pole Three Throw (Momentary)					
Contact Position	Top		Center		Bottom	
	Normal OFF	Down (ON) 9-12	Normal OFF	Down (ON) 10-12	Normal OFF	Down (ON) 11-12
Electrical Capacity (Resistive Load)	3VA maximum DC					
Contact Resistance	200 milliohms maximum					
Insulation Resistance	500 megohms minimum @ 250V DC					
Dielectric Strength	250V AC for 1 minute minimum					
Electrostatic Resisting Pressure	15kV minimum					
Mechanical Endurance	1,000,000 operations minimum					
Electrical Endurance	1,000,000 operations minimum					
Operating Force	5±2 Newtons at center of cap; 3.7±1.7 Newtons at top and bottom					
Total Travel	1.3±0.5mm (.051"±.020") at center of cap; 1.8±0.6mm (.071"±.024") at top and bottom					

OLED SPECIFICATIONS

Characteristics of Display

Display Device	Single color OLED display
Display Mode	Passive matrix
Pixel Format	96 x 64 pixels (horizontal x vertical)
Pixel Size	0.16mm x 0.177mm (horizontal x vertical)
Interface	Serial (SPI) interface
Color	White/Black (normally White)
Splash & Dust Proof	Conforms to IP64 of IEC60529 standards on panel surface
Operating Temperature Range	-20°C ~ +70°C (-4°F ~ +158°F)
Storage Temperature Range	-25°C ~ +80°C (-13°F ~ +176°F)
Operating Life Time (Display)	52,000 hours (30% brightness); 15,600 hours (100% brightness)

Absolute Maximum Ratings (Temperature at 25°C)

Items	Symbols	Ratings
Supply Voltage for Logic/Interface	VDDA	-0.3V to +3.6V
Supply Voltage for Drive	VAH	-0.3V to +18.0V
Input Voltage	V _{in}	-0.3V to VDDA +0.3V

Current Consumption

(Temperature at 25°C, VDDA = 2.8V, VAH = 15.0V)

Items	Symbols	Min	Typical	Max
All-Pixels-On Mode *Drive System Power Current	I _{H1}	—	6.9mA	8.3mA
All-Pixels-On Mode *Logic/IF System Power Current	I _{DD1}	—	0.3mA	0.36mA
Sleep Mode **Drive System Power Current	I _{H2}	—	—	10µA
Sleep Mode **Logic/IF System Power Current	I _{DD2}	—	—	10µA

* All pixels shall be turned on with the maximum level gray scale

** All pixels shall be turned off (while chip is operating)

Recommended Operating Conditions

Items	Symbols	Minimum	Typical	Maximum
Supply Voltage for Logic/Interface	VDDA	2.7V	2.8V	2.9V
Supply Voltage for Drive	VAH	14.5V	15.0V	15.5V
Input High Level Voltage	V _{IH}	0.75 x VDDA	—	VDDA
Input Low Level Voltage	V _{IL}	0.0	—	0.25V x VDDA
Input High Level Voltage (XRES only)	V _{IH}	0.80 x VDDA	—	VDDA
Input Low Level Voltage (XRES only)	V _{IL}	0.0	—	0.20V x VDDA

Optical Characteristics

(Temperature at 25°C, Initial Value: depends on initial setting)

Items	Minimum	Typical	Maximum
Brightness	75 cd/m ²	100 cd/m ²	125 cd/m ²
Chromaticity	(x)	***2	0.310
	(y)	***2	0.330
Contrast	100	—	—

*** Chromaticity range is the area of the ellipse. (See Chromaticity Diagram next page.) The ellipse passes through points A, B, C and D and designates the center of each side of the quadrangle.

Chromaticity Diagram

Point	Chromaticity X	Chromaticity Y
A	0.3639	0.3535
B	0.3007	0.3552
C	0.2561	0.3105
D	0.3193	0.3088

TIMING SPECIFICATIONS

AC Characteristics

(Temperature at $-20^{\circ}\text{C} \sim +70^{\circ}\text{C}$), $V_{DDA} = 2.8\text{V}$, $V_{AH} = 16\text{V}$

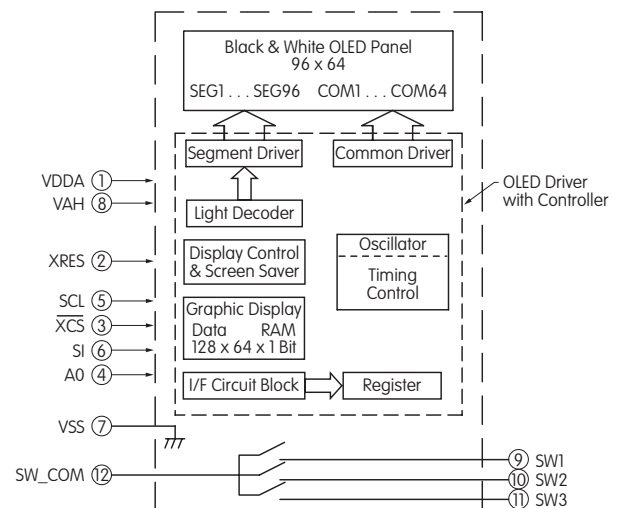
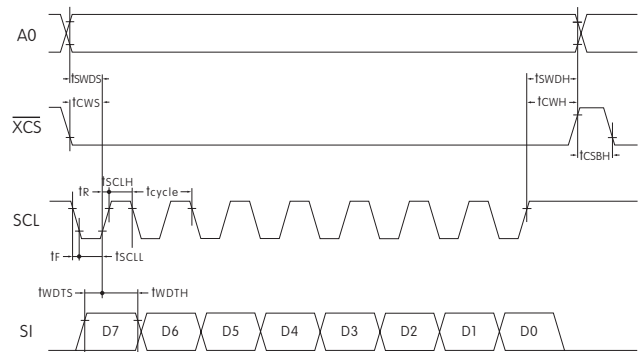
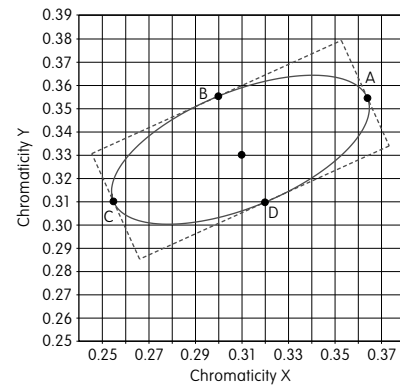
Items	Symbols	Minimum	Typical	Maximum
Clock Cycle Time	t_{cycle}	100ns	—	—
A0 Setup Time	t_{SWDS}	65ns	—	—
A0 Hold Time	t_{SWDH}	35ns	—	—
$\overline{\text{XCS}}$ Setup Time	t_{CWS}	65ns	—	—
$\overline{\text{XCS}}$ Hold Time	t_{CWH}	35ns	—	—
High Level $\overline{\text{XCS}}$ Pulse Width	t_{CSBH}	*30ns	—	—
Write Data Setup Time	t_{WDTS}	10ns	—	—
Write Data Hold Time	t_{WDTH}	30ns	—	—
SCL Low Time	t_{SCLL}	45ns	—	—
SCL High Time	t_{SCLH}	45ns	—	—
SCL Rise Time	t_r	—	—	15ns
SCL Fall Time	t_f	—	—	15ns

* Requires more than 100ns after resetting software

BLOCK DIAGRAM & PIN CONFIGURATIONS

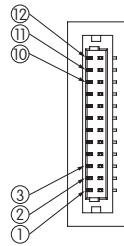
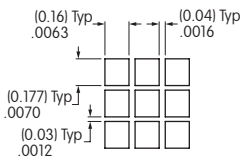
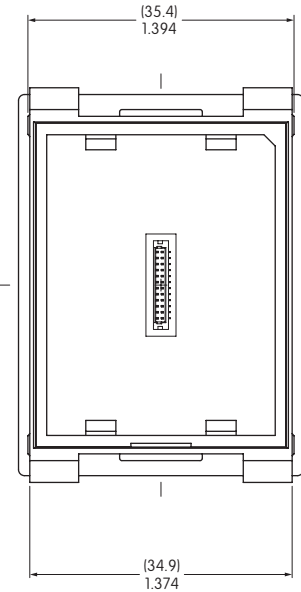
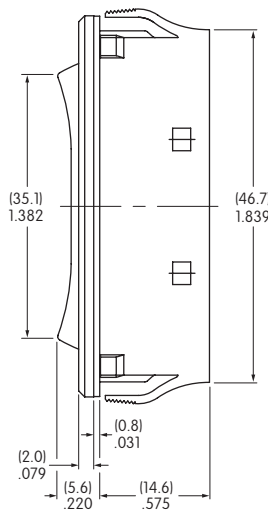
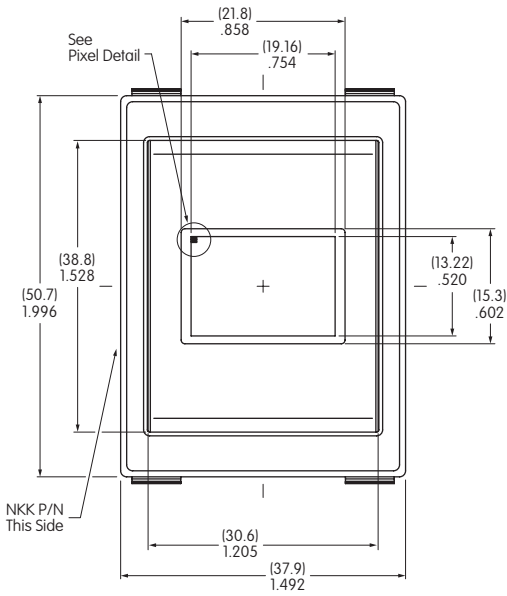


IS18WWC1W



Pin No.	Symbol	Name	Function
①	VDDA	Logic Type Power Source	
②	XRES	Reset	Terminal to initialize IC built-in logic; initializes with low level
③	$\overline{\text{XCS}}$	Chip Select	Slave select for SPI. This line is active low.
④	A0	Address	Terminal to input control signals of command/parameter Set low at time of command input and high level at the time of parameter input.
⑤	SCL	Serial Clock	Read command/parameter at time of SCL signal standing up
⑥	SI	Serial Data Input	Terminal to input command/parameter by SPI
⑦	VSS	Ground	
⑧	VAH	Drive Type Power Source	
⑨	SW1	Switch Terminal 1	N/O
⑩	SW2	Switch Terminal 2	N/O
⑪	SW3	Switch Terminal 3	N/O
⑫	SW_COM	Switch Common Terminal	

SMARTSWITCH TYPICAL DIMENSIONS

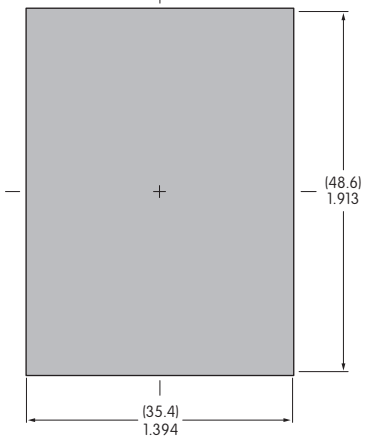


Pixel Detail

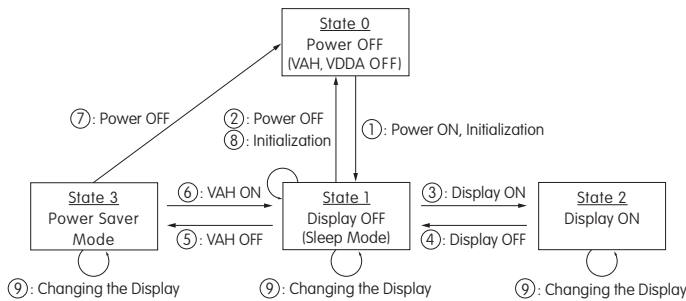
Terminal Connector Detail

Panel Thickness Range

.039 ~ .157"
(1.0mm ~ 4.0mm)

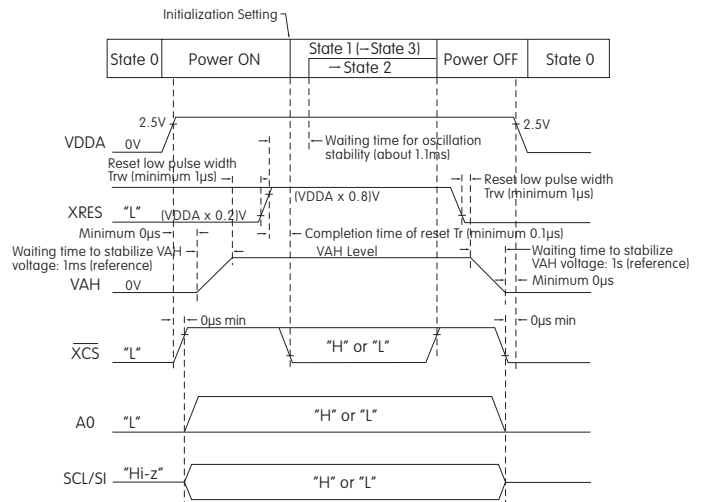


STATE TRANSITION



State Number	State	Display	Sleep	VAH	VDDA	Changing the Display
0	Power OFF	OFF	—	OFF	OFF	Disable
1	Display OFF	OFF	ON	ON	ON	Enable
2	Display ON	ON	OFF	ON	ON	Enable
3	Power Saver	OFF	ON	OFF	ON	Enable

Power ON/OFF Sequence



STATE TRANSITION (CONTINUED)

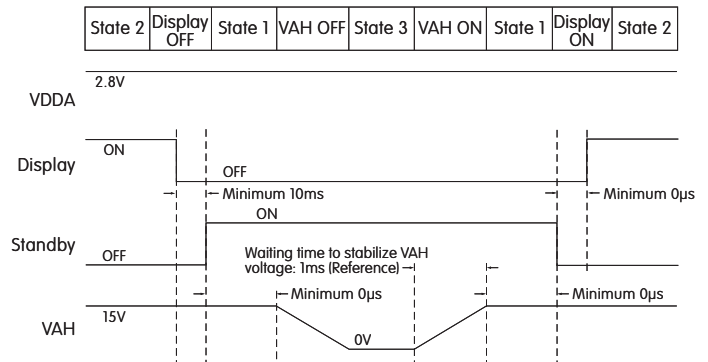
State Transition	Transition	Reference or Setting Procedure	
①	Power ON	Refer to "Power ON/OFF Sequence" → Refer to "Initialization Setting"	
②	Power OFF	Refer to "Power ON/OFF Sequence"	
③	Display ON	Refer to "Display ON/OFF Sequence"	
④	Display OFF		
⑤	VAH OFF	Wait until VAH becomes stable	
⑥	VAH ON		
⑦	Power OFF	Refer to "Power ON/OFF Sequence"	
⑧	Initialization	Refer to "Initialization Setting"	
⑨	Display Change	Image Rewriting	96 x 64 Image Data Sending
		Display Settings	Dimmer/Screen Saver/Indication 180° Reversal

INITIALIZATION SETTING

Command Name	Command Address	Parameter (1 or 2Byte)	Remarks
Software Reset	01		
Dot Matrix Display ON/OFF	02	00	Note 1
Read/Write Operation Wetting	07	00	Note 1
Display Direction Set Command	09	00	Note 1
Reserved 1	10	03	Note 2
Reserved 2	12	63	Note 2
Reserved 3	13	00	Note 2
Dot Matrix Display Standby ON/OFF	14	00	
Reserved 4	16	00	Note 2
Reserved 5	17	00	Notes 1 & 2
Reserved 6	18	09	Note 2
Reserved 7	1A	04	Notes 1 & 2
Reserved 8	1C	00	Notes 1 & 2
Graphic Memory Writing Direction	1D	00	Note 1
Setting Column Output Range	30	005F	Note 1
Setting Row Output Range	32	003F	Note 1
X Axis Reading/Writing Start Point	34	00	Note 1
X Axis Reading/Writing End Point	35	0B	Note 1
Y Axis Reading/Writing Start Point	36	00	Note 1
Y Axis Reading/Writing End Point	37	3F	Note 1

Notes: 1. Same as default value
2. Do not change setting value

Display ON/OFF Sequence

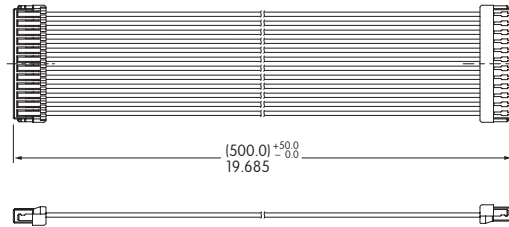


Command Name	Command Address	Parameter (1 or 2Byte)	Remarks
X Axis Reading Start Address	38	00	Note 1
Y Axis Reading Start Address	39	00	Note 1
Reserved 9	48	03	Note 2
Screen Saver Event Timer Setting Command	C3	00	Note 1
Screen Saver Event Timer Setting Command	C4	00	Note 1
One Time, Repeat or Direction Setting for Screen Saver	CC	00	Note 1
Start/Stop Setting for Screen Saver	CD	00	Note 1
System Clock Division Ratio Setting	D0	80	Note 2
Setting the STBY Pin	D2	00	Notes 1 & 2
DACA Setting	D4	00	Note 2
DACB Setting	D5	00	Note 2
DACC Setting	D6	00	Note 2
DACD Setting	D7	00	Note 2
Reserved 10	D9	00	Notes 1 & 2
Dimmer Setting	DB	0F	Note 1
Reserved 11	DD	88	Note 2
Image Writing	08	Image data	

Notes: 1. Same as default value
2. Do not change setting value

ACCESSORIES

AT715 Cable for Connection



PRECAUTIONS FOR HANDLING & STORAGE OF OLED ROCKERS

Handling



1. OLED devices are electrostatic sensitive.
2. Signal input under conditions not recommended may cause damage to the OLED unit or deterioration of the display. Follow directions regarding supply sequences of power and signal voltages.
3. If the OLED panel is broken, avoid touching the contents. Wash off in case of contact to the skin or clothing.
4. Limit operating force to 100.0N maximum, as excessive pressure may damage the display.
5. Under certain actuation conditions, one side of the rocker and the center switch can both send actuation signals.
6. Pixels acquire diminished brightness over time and use, and those most frequently habituated have greater reduction of brightness than those less used. To minimize this difference, operate OLED unit so that all pixels are used as consistently as possible.
7. Clean actuator surface with dry cloth. If further cleaning is needed, wipe with dampened cloth using neutral cleanser and dry with clean cloth. Do not use organic solvent.

Storage

1. Store in original container and away from direct sunlight.
2. Keep away from static electricity.
3. Avoid extreme temperatures, high humidity, gaseous substances, and all forms of chemical contamination.

Panel Mounting

- Before snapping a switch into the panel, align the gasket evenly under the bezel of the switch.
- When mounting into a panel, apply equal pressure to sides of bezel and insert parallel to the panel.
- After mounting, be sure there are no gaps between switch and panel. Lightly push into panel.
- After installing into panel, do not apply excessive force.
- After panel installation and wiring is completed, do not apply force horizontally or vertically from behind panel.
- Behind the panel, cut area should be squared. If front of panel is painted, do not allow any paint to collect in corners of cutout to prevent level mounting.
- Avoid reinstalling a switch once it has been mounted into panel. This may cause deterioration of panel sealability.

