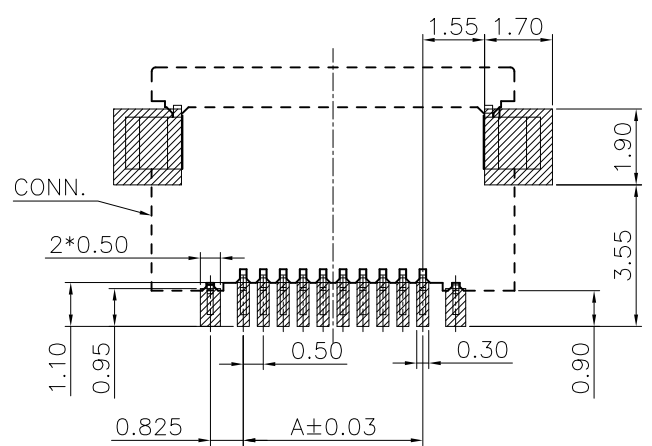
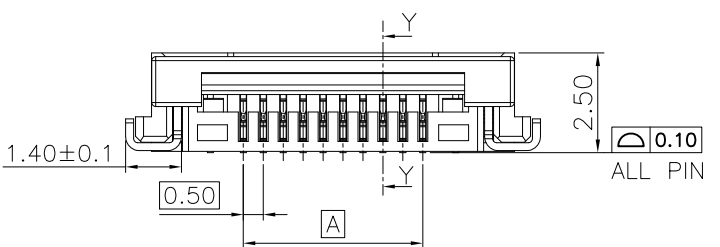
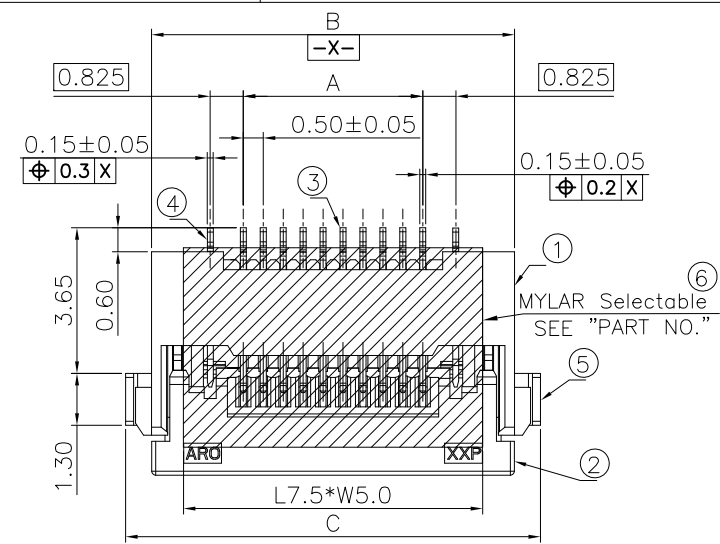


This document is the property of and embodies CONFIDENTIAL and PROPRIETARY information of AOR. No part of the information shown on this document may be used in any way or disclosed to others without the written consent of AOR. © 2019 AOR



DIMENSION LIST:

NO. OF POS	A	B	C
06	2.50	7.10	8.40
07	3.00	7.60	8.90
08	3.50	8.10	9.40
09	4.00	8.60	9.90
10	4.50	9.10	10.40
11	5.00	9.60	10.90
12	5.50	10.10	11.40
13	6.00	10.60	11.90
14	6.50	11.10	12.40
15	7.00	11.60	12.90
16	7.50	12.10	13.40
17	8.00	12.60	13.90
18	8.50	13.10	14.40
19	9.00	13.60	14.90
20	9.50	14.10	15.40
21	10.00	14.60	15.90
22	10.50	15.10	16.40
23	11.00	15.60	16.90
24	11.50	16.10	17.40
25	12.00	16.60	17.90
26	12.50	17.10	18.40
27	13.00	17.60	18.90
28	13.50	18.10	19.40
29	14.00	18.60	19.90
30	14.50	19.10	20.40
31	15.00	19.60	20.90
32	15.50	20.10	21.40
33	16.00	20.60	21.90
34	16.50	21.10	22.40
35	17.00	21.60	22.90
36	17.50	22.10	23.40
37	18.00	22.60	23.90
38	18.50	23.10	24.40
39	19.00	23.60	24.90
40	19.50	24.10	25.40
41	20.00	24.60	25.90
42	20.50	25.10	26.40
43	21.00	25.60	26.90
44	21.50	26.10	27.40
45	22.00	26.60	27.90
46	22.50	27.10	28.40
47	23.00	27.60	28.90
48	23.50	28.10	29.40
49	24.00	28.60	29.90
50	24.50	29.10	30.40
51	25.00	29.60	30.90
52	25.50	30.10	31.40
53	26.00	30.60	31.90
54	26.50	31.10	32.40
55	27.00	31.60	32.90
56	27.50	32.10	33.40
57	28.00	32.60	33.90
58	28.50	33.10	34.40
59	29.00	33.60	34.90
60	29.50	34.10	35.40
61	30.00	34.60	35.90
62	30.50	35.10	36.40
63	31.00	35.60	36.90
64	31.50	36.10	37.40
65	32.00	36.60	37.90
66	32.50	37.10	38.40
67	33.00	37.60	38.90
68	33.50	38.10	39.40
69	34.00	38.60	39.90
70	34.50	39.10	40.40



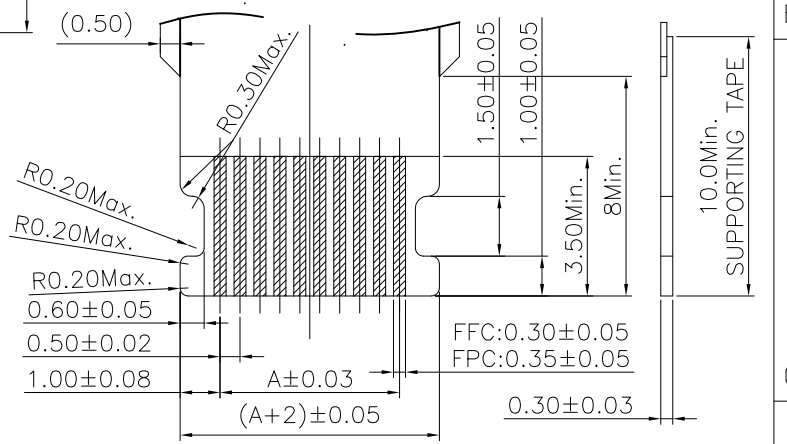
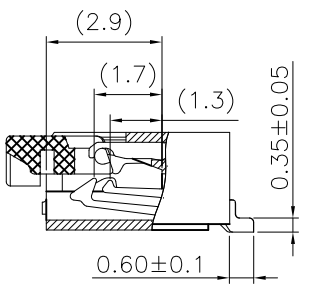
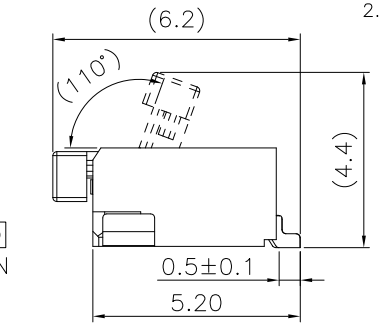
REV.	ECR/ECN No.	DESCRIPTION	DRAWN/DATE	CHECKED/DATE	APPROVED/DATE
A	/	NEW RELEASE	May 2017-04-11	Rain.Han 2017-04-11	Leo.Liu 2017-04-11
B	/	ADD 12PIN	May 2018-08-22	Rain.Han 2018-08-22	Leo.Liu 2018-08-22

NO.	COMPONENTS	MATERIALS	FINISH/COLOR SPECIFICATION	QTY.
1	HOUSING	Liquid crystal polymer	Natural (UL94V-0);	1
2	ACTUATOR	Polyamide 9T	black(UL94V-0);	1
3	CONTACT-1	Phosphor Bronze T=0.15mm	UNDER PLATING:1~3um Ni SURFACE SELECT PLATING:SEE PART NO.	N
4	CONTACT-2	Phosphor Bronze T=0.15mm	UNDER PLATING:1~3um Ni SURFACE SELECT PLATING:SEE PART NO.	2
5	ANCHOR-PLATE	Brass;T=0.15mm	2~4um Tin PLATING 1~3um Ni UNDERPLATING	2
6	MYLAR	T=0.10mm THERMOSTABLE	YELLOW	1

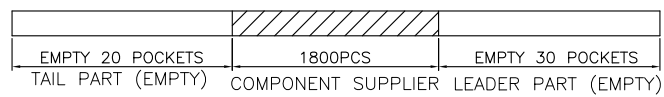
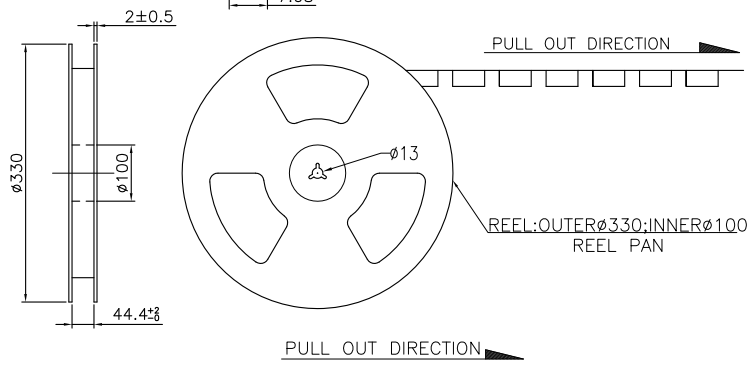
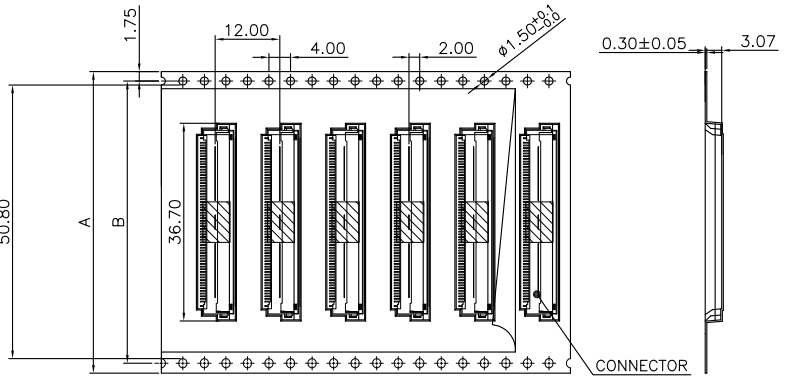
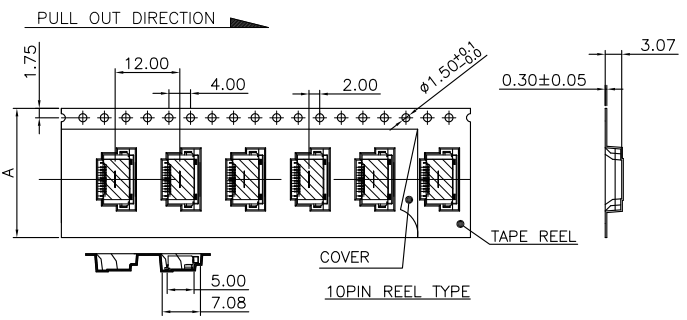
NOTE:
1. ALL MATERIAL MUST BE COMPLY RoHS.
2. PART NO.:

F304-1A7H1-110**-E*00

- 1:WITH MYLAR
- 2:WITHOUT MYLAR
- NO. OF POSITIONS
- 7H:PHOSPHOR BRONZE
0.05um MIN. Au(Au Area)
- 1A:LCP Natural



UNLESS OTHERWISE SPECIFIED TOLERANCES				ANGLE OF PROJECTION		Amphenol AORORA			
X.	±0.30	X. '	± 5'			Amphenol Aorora Technology (Huizhou) Co.,Ltd			
X.X	±0.25	X.X '	± 4'						
X.XX	±0.20	X.XX '	± 3'	DOC TYP Customer Drw		TITLE: FFC/FPC P0.50 H2.5 front side filp, With lock,Double beam			
X.XXX	±0.15	X.XXX '	± 2'	DRAWN DATE	May 2018-08-22	SIZE	PART NUMBER: A4 F304-1A7H1-110**-E*00	REV. B	SHEET 1 OF 2
LINEAR DIMS		ANGLES DIMS		DESIGN DATE	May 2018-08-22				
DWG NO.: A-S0438				CHECKED DATE	Rain.Han 2018-08-22	SCALE	1:6	UNIT : mm	SHEET 1 OF 2
MATERIAL		SEE NOTES		APPROVED DATE	Leo.Liu 2018-08-22				
FINISHED		SEE NOTES							



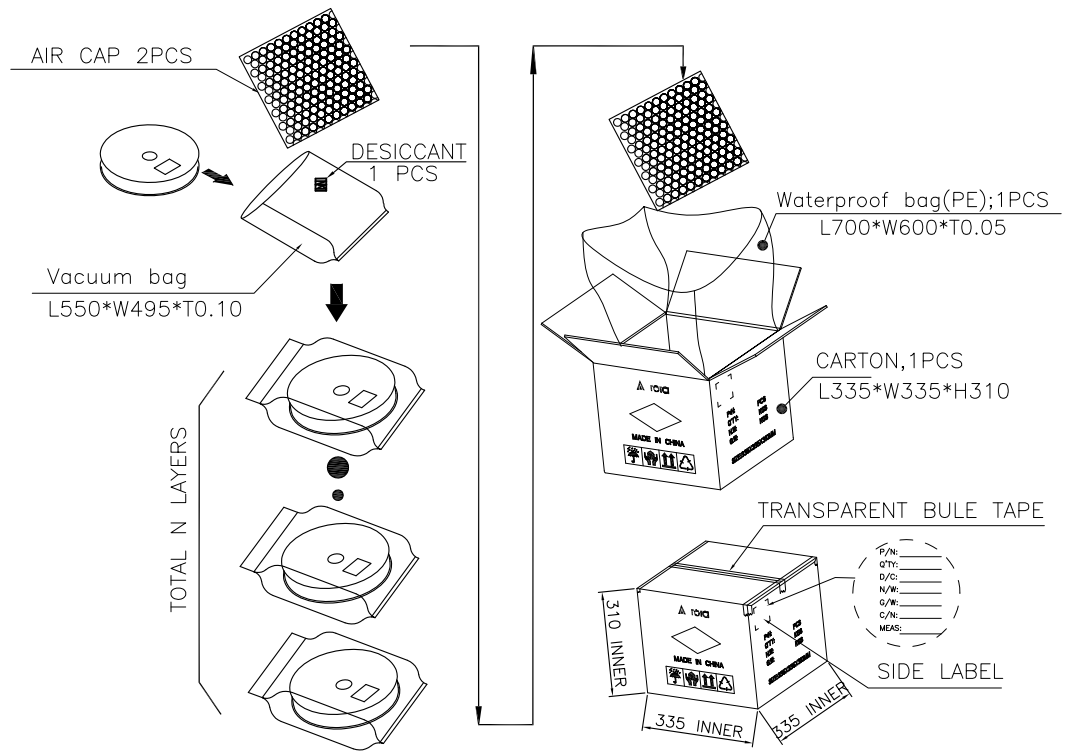
5. QTY LIST:

DIM NO.	6~16pin	17~26pin	27~50pin	51~70pin
A	24.00	32.00	44.00	56.00
B	14.20	28.40	40.40	52.40
N	10	8	6	5
TOTAL(PCS)	18,000	14,400	10,800	9,000

REV.	ECR/ECN No.	DESCRIPTION	DRAWN/DATE	CHECKED/DATE	APPROVED/DATE
A	/	NEW RELEASE	May 2017-04-11	Rain.Han 2017-04-11	Leo.Liu 2017-04-11
B	/	ADD 12PIN	May 2018-08-22	Rain.Han 2018-08-22	Leo.Liu 2018-08-22

NOTES:

- MATERIAL:
 - CARRY TAPE:HIPS,T=0.3mm,CLEAR
 - REEL:HIPS,BLUE.
 - SHIM:PE,CLEAR.
- PRIMARY PACKING:1800PCS/REEL.
- SECONDARY PACKING: "N" REELS/CARTON ("TOTAL"=N*1800/CARTON).
- PEELING RESISTANCE: 0.1N~0.7N(10~70gf);
PEELING ANGLE: 165°~180°;
PEELING SPEED: 300mm/minutes.



UNLESS OTHERWISE SPECIFIED TOLERANCES				ANGLE OF PROJECTION		Amphenol AORORA	
X.	±0.30	X. '	± 5'			Amphenol Aorora Technology (Huizhou) Co.,Ltd	
X.X	±0.25	X.X '	± 4'				
X.XX	±0.20	X.XX '	± 3'	DOC TYP	Customer Drw	TITLE:	
X.XXX	±0.15	X.XXX '	± 2'	DRAWN DATE	May 2018-08-22	FFC/FPC P0.50 H2.5 front side filp, With lock,Double beam	
LINEAR DIMS				DESIGN DATE	May 2018-08-22	SIZE	PART NUMBER:
ANGLES DIMS				CHECKED DATE	Rain.Han 2018-08-22	A4	F304-1A7H1-110**-E*00
DWG NO.: A-S0438				APPROVED DATE	Leo.Liu 2018-08-22	SCALE	1:1
MATERIAL SEE NOTES				UNIT	mm	SHEET	2 OF 2
FINISHED SEE NOTES				REV.	B		