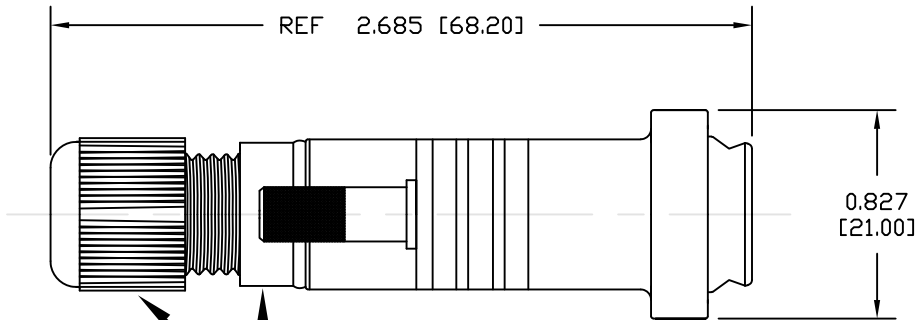
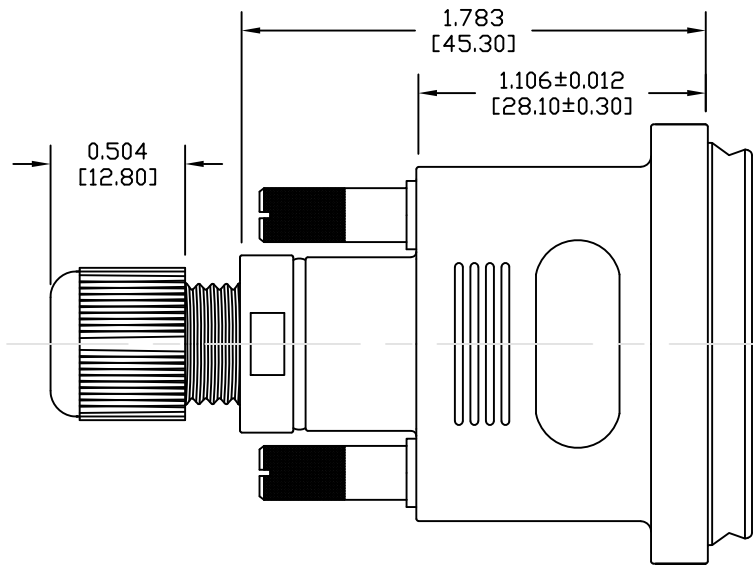


DESCRIPTION: IP67 - 9 POSITION PLASTIC BACKSHELL - ONLY

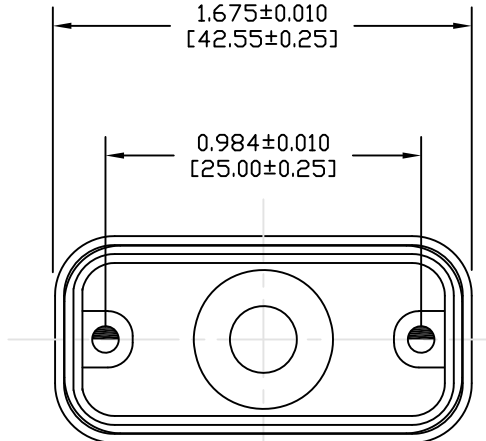


**TORQUE  
SETTING**  
6.075-9.547 in.lbs  
[7-11 kgf.cm]

**MATERIAL & FINISH:**

- BACKSHELL: ABS - UL HB RATED, BLACK COLOR
- BUSHING & BAFFLE: SILICONE
- THUMBSCREWS: BRASS, NICKEL PLATED
- TEMPERATURE: ABS: 0°C TO +80°C  
SILICON: -35°C TO +116°C
- CABLE DIAMETER: 0.260 inches [6.60mm] Max.  
0.100 inches [2.54mm] Min.

**MATING PANEL:**  
\*INTENDED TO MATE TO REAR MOUNTED DSUB  
RECOMMENDED MAX PANEL THICKNESS: 0.065"  
RECOMMENDED MIN PANEL THICKNESS: 0.040"



DO NOT SCALE FROM DRAWING



THESE DRAWINGS AND SPECIFICATIONS ARE THE PROPERTY OF NorComp AND SHALL NOT BE REPRODUCED, COPIED OR USED AS THE BASIS FOR THE MANUFACTURE OF SALE OF APPARATUS WITHOUT WRITTEN PERMISSION.

DRAWN: M. SIGMON		DATE: 12-2-10	
SCALE: NTS	SHEET 1	OF 1	REV 6
DWG NO.		967-009-010R011	

**NorComp**

RoHS COMPLIANT