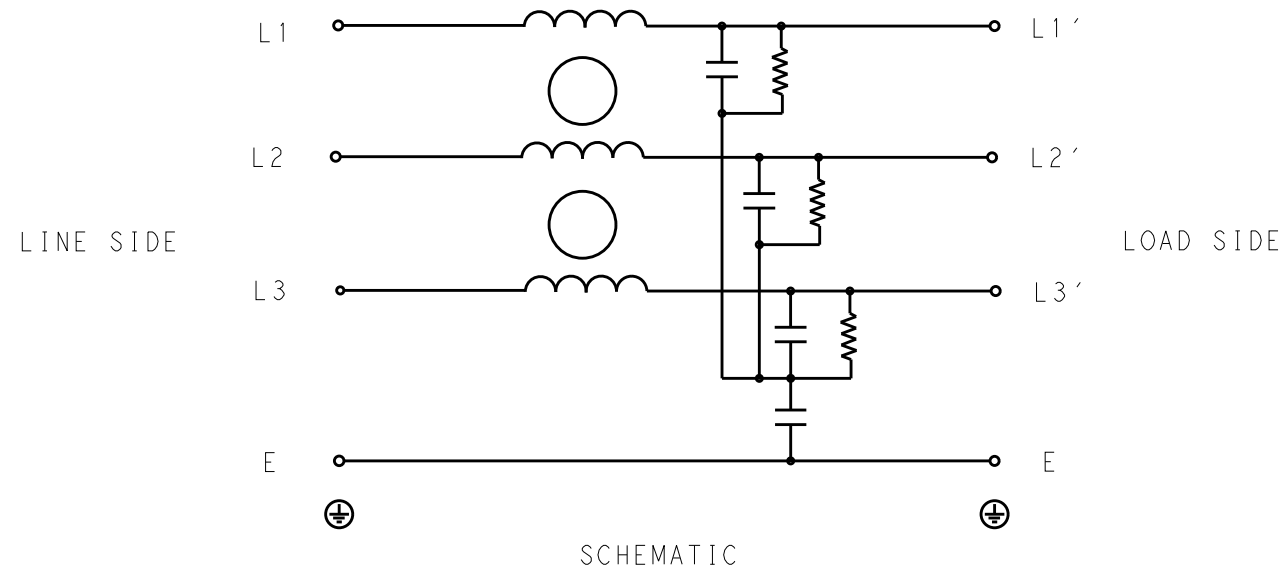


P	LTR	DESCRIPTION	DATE	DWN	APVD
	B	INITIAL RELEASE	07JUL2020	SB	LI



TYPICAL INSERTION LOSS
COMMON MODE 50/50Ω; DIFFERENTIAL MODE 50/50Ω

MHz	0.01	0.05	0.15	0.5	1	3	5	10	30
CM	2	3	4	11	20	40	35	35	45
DM	3	4	6	17	27	33	36	38	54

SAFETY ORGANIZATIONS
THIS FILTER WILL BE FORMALLY RECOGNIZED, CERTIFIED OR APPROVED BY THE LISTED AGENCY. THEREFORE, ALL TEST/REQUIREMENTS SPECIFIED IN THE LATEST REVISION OF THE FOLLOWING AGENCY STANDARDS WILL BE MET:

UL RECOGNIZED* 75A 520V 50Hz/60Hz 40°C
 CSA CERTIFIED** 75A 520V 50Hz/60Hz 40°C
 *31 JULY 2020 ; **31 AUGUST 2020

OPERATING SPECIFICATION
 LINE CURRENT/VOLTAGE: 75A, 520VAC
 LINE FREQUENCY: 50/60Hz

MAXIMUM LEAKAGE CURRENT: 6mA @ 230VAC, 50Hz
 OPERATING AMBIENT TEMPERATURE RANGE @ RATED CURRENT: -25°C TO +40°C

IN AN AMBIENT, T_a, HIGHER THAN 40°C, THE MAXIMUM OPERATING CURRENT, I_o, IS AS FOLLOWS:

$$I_o = I_r \sqrt{\frac{85 - T_a}{45}}$$

RELIABILITY SPECIFICATIONS
 STORAGE TEMPERATURE: -40°C TO +85°C
 HUMIDITY: 21 DAYS @ 40°C AND 95% RH

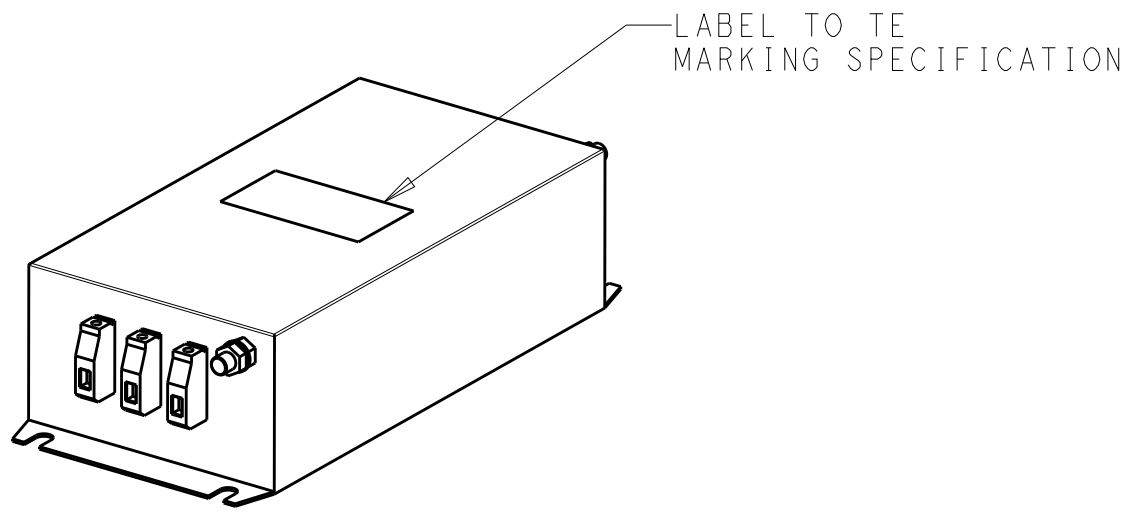
TEST SPECIFICATIONS
 INDUCTANCE, NOMINAL: 0.2mH

CAPACITANCE @ 1kHz
 LINE TO GROUND, NOMINAL: 22nF
 LINE TO LINE, NOMINAL: 2.5μF

DISCHARGE RESISTOR
 L/G I.R. 680KΩ 2W
 L/L I.R. 2MΩ 2W
 L/N I.R. XXX
 N/G I.R. XXX
 IR (NO DISCHARGE RESISTOR) 20°C, 50% RH AND 100VDC, MIN: 6MΩ

RECOMMENDED RECEIVING INSPECITON HIPOT
 LINE TO GROUND FOR 1 MINUTE: 2856VDC
 LINE TO LINE FOR 1 MINUTE: 2236VDC

FILTER APPROVAL
 THE BEST WAY TO SELECT AND QUALIFY A FILTER IS FOR YOUR ENGINEERING TO TEST THE UNIT IN YOUR EQUIPMENT.



THIS DRAWING IS A CONTROLLED DOCUMENT.		DWN 19FEB2020 SHRICHARANA B		
DIMENSIONS: mm		CHK 19FEB2020 LEO IRUDHAYARAJ		
TOLERANCES UNLESS OTHERWISE SPECIFIED:		APVD 19FEB2020 LEO IRUDHAYARAJ	NAME POWER LINE FILTER 75KEBS10BFDP	
0 PLC ±-		PRODUCT SPEC	SIZE	
1 PLC ±0.5		APPLICATION SPEC	CAGE CODE	
2 PLC ±0.40		WEIGHT	DRAWING NO	
3 PLC ±0.130		CUSTOMER DRAWING	RESTRICTED TO	
4 PLC ±0.0500		SCALE 1:4	SHEET 1 OF 2	
ANGLES ±-		REV B		
MATERIAL				
FINISH				

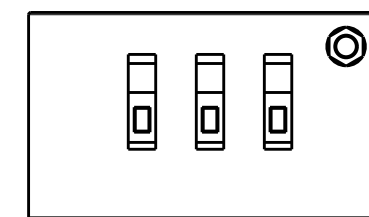
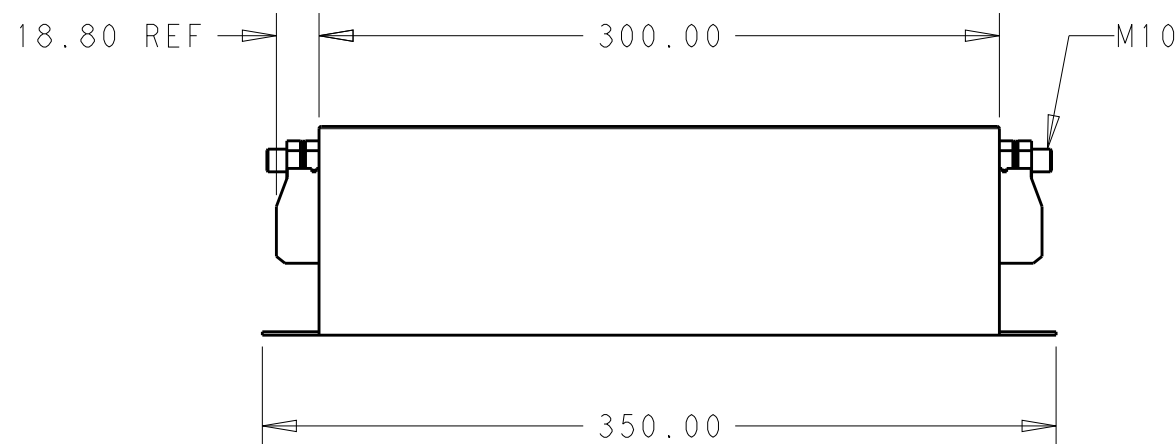
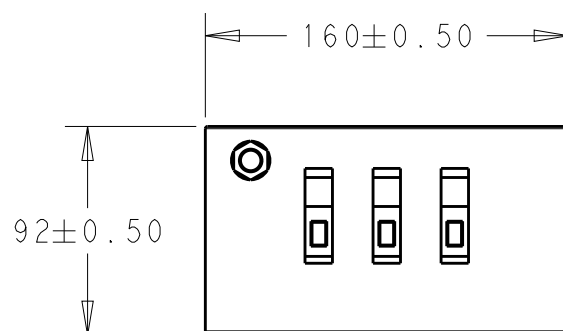
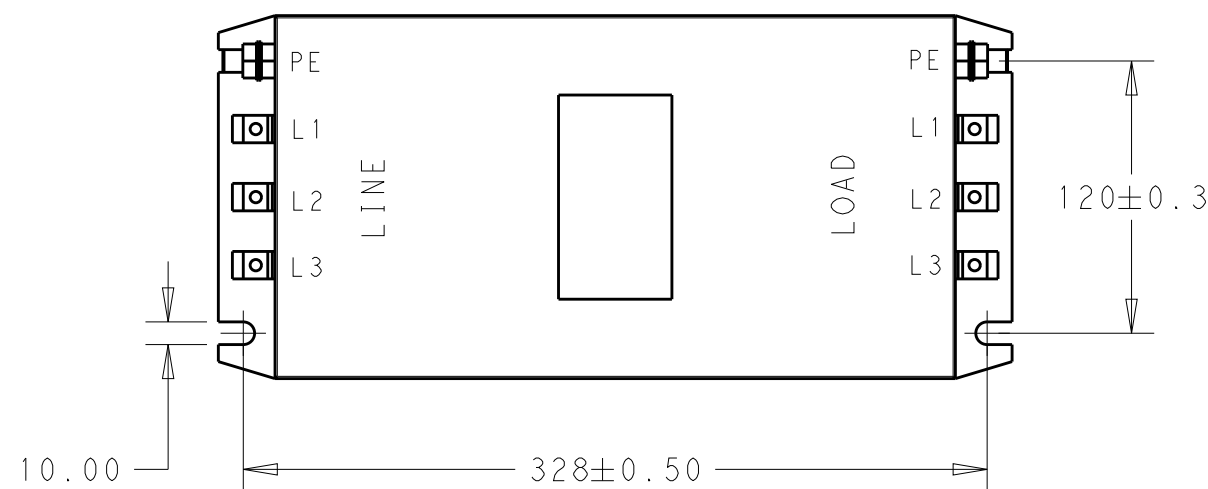
© 2020 TE Connectivity. All Rights Reserved.

NOTE 1 GROUND CONNECTION:
 DO NOT LOOSEN INNER GROUND NUTS.
 TORQUE OUTER TERMINAL SCREWS: 2-2.2Nm / 18-19.8 in.lbs
 TORQUE GROUND NUTS: 3.5-6Nm

NOTE 2 INPUT OUTPUT CONNECTION TERMINAL
 AWG SIZE: 12-8 AWG
 WIRE SECTION: 16mm²
 THREADED BOLT SIZE FOR GROUND: M8

REVISIONS

P	LTR	DESCRIPTION	DATE	DWN	APVD
		SEE SHEET 1			



THIS DRAWING IS A CONTROLLED DOCUMENT.		DWN	19FEB2020	TE TE Connectivity			
		CHK	19FEB2020				
		APVD	19FEB2020				
		NAME	LEO IRUDHAYARAJ				
DIMENSIONS: mm		TOLERANCES UNLESS OTHERWISE SPECIFIED:		POWER LINE FILTER 75KEBS10BFPD			
		0 PLC ±-		SIZE	CAGE CODE	DRAWING NO	RESTRICTED TO
		1 PLC ±0.5		A3	00779	5-1609965-6	-
		2 PLC ±0.40		CUSTOMER DRAWING			
		3 PLC ±0.130		SCALE	3:10	SHEET	2 OF 2
		4 PLC ±0.0500					
		ANGLES ±-					
MATERIAL		FINISH		REV B			
-		-					