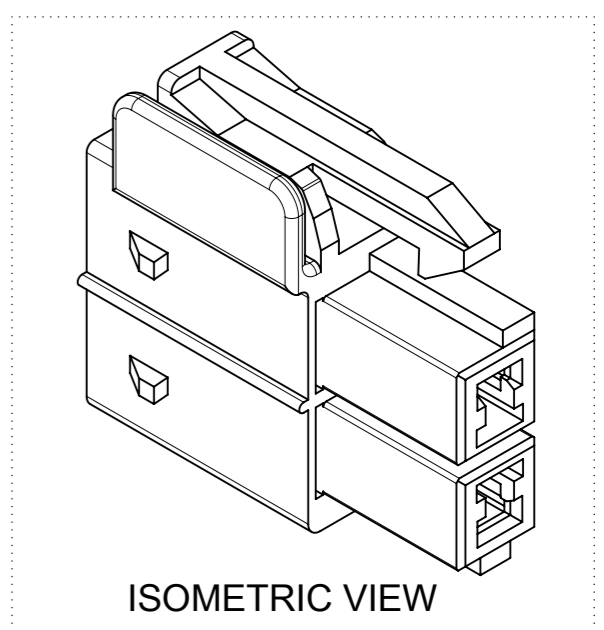
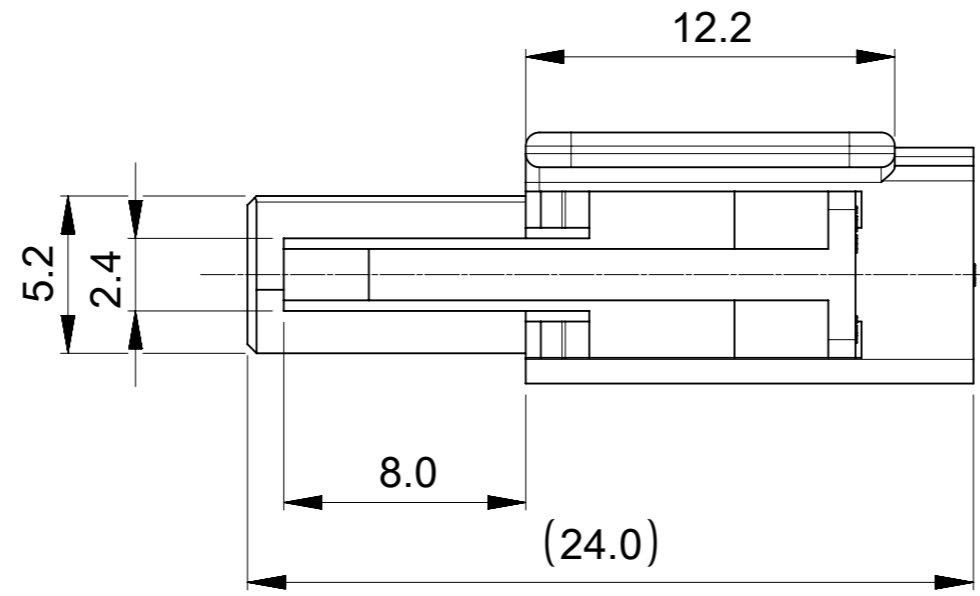
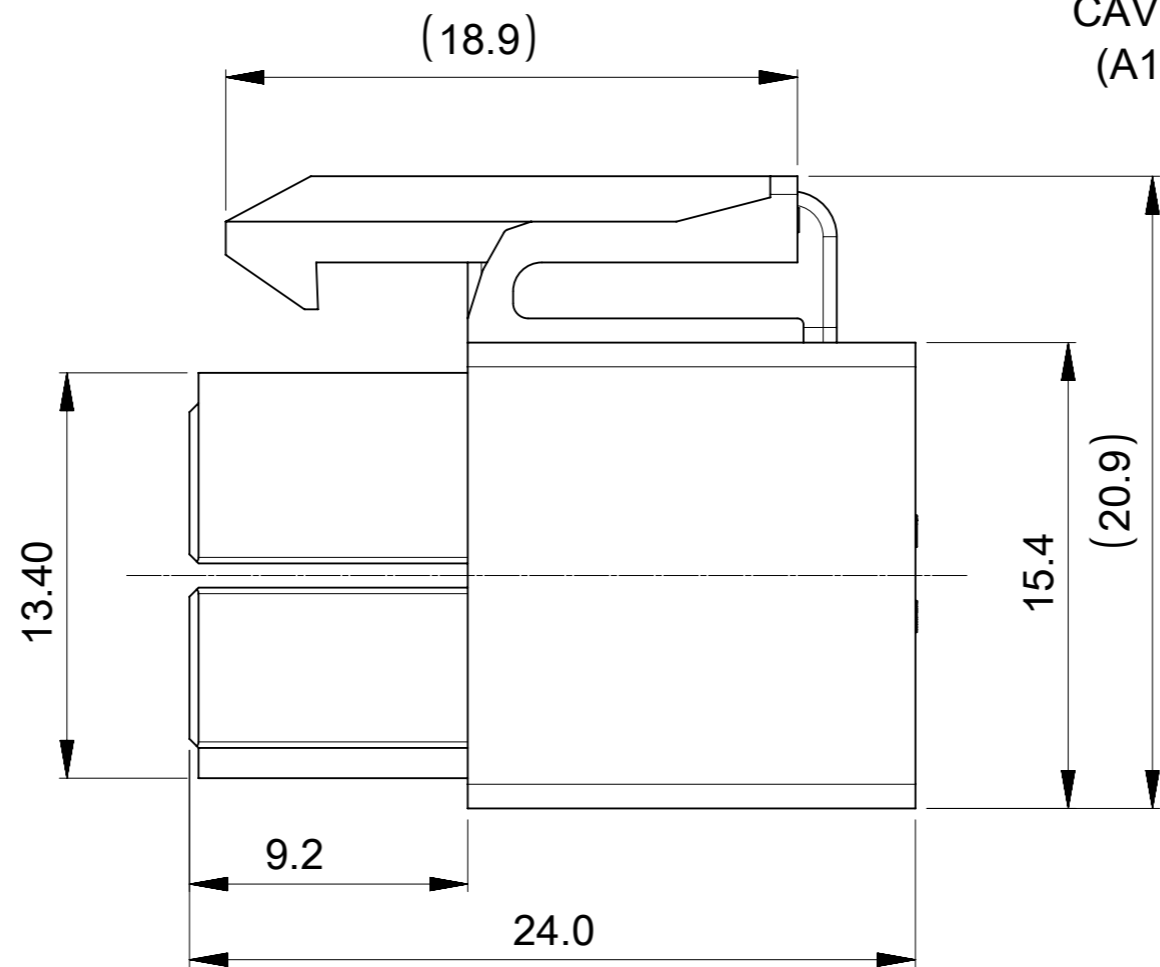
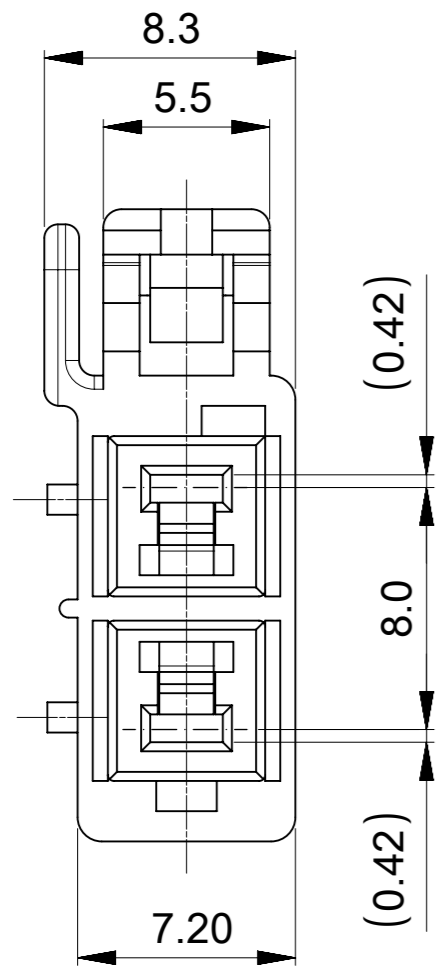


VIEW "A"
(S=3:1)

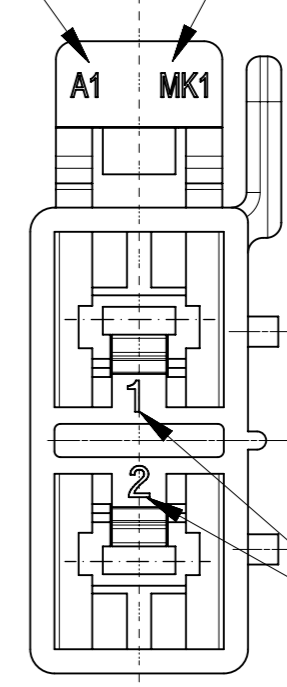


ISOMETRIC VIEW



CAVITY NO.
(A1,A2,A3,..)

TRADE MARK
(MK1)



VIEW "A"

CIRCUIT NO,
(1,2)

NOTES

- 1.MATERIAL : PET/PC, UL94V-0, UNFILLED
COLOR : NATURAL
(GLOW WIRE CAPABLE HAVING AN IEC GWT 750°C
FOR THIS PRODUCT)
2. MATED HOUSING :204102-0609
3. APPLICABLE TPA : 35965-029* / 49547, 49548 SERIES
4. APPLICABLE TERMINAL
: 35746-0*10(1,2 CIRCUIT)
5. PRODUCT SPECIFICATION : PS-2041020000
6. PAKAGING SPECIFICATION : PK-2041020609

SYMBOLS	THIS DRAWING CONTAINS INFORMATION THAT IS PROPRIETARY TO MOLEX ELECTRONIC TECHNOLOGIES, LLC AND SHOULD NOT BE USED WITHOUT WRITTEN PERMISSION		CURRENT REV DESC:		molex			
	DIMENSION UNITS	SCALE						NEW 070 WTW MULTI PLUG HOUSING 2P (C) [POSITIVE LOCKING TYPE]
▽ = 0	mm	4:1	EC NO: 625908		DOCUMENT NUMBER	DOC TYPE	DOC PART	REVISION
▽ = 0	GENERAL TOLERANCES (UNLESS SPECIFIED)		DRWN: SCHONG03 2019/10/21		2041020219	PSD	000	A
▽ = 0	ANGULAR TOL ± 1.0°		CHK'D: JBJIN 2019/10/21		PRODUCT CUSTOMER DRAWING			
▽ = 0	4 PLACES ±		APPR: YSKIM02 2019/10/22		INITIAL REVISION:			
▽ = 0	3 PLACES ±		DRWN: JBJIN 2019/04/03		MATERIAL NUMBER			
▽ = 0	2 PLACES ± 0.25		APPR: YSKIM02 2019/10/22		CUSTOMER			
▽ = 0	1 PLACE ± 0.3		THIRD ANGLE PROJECTION		SHEET NUMBER			
▽ = 0	0 PLACES ± 0.3		DRAWING		1 OF 1			
■ = 0	DRAFT WHERE APPLICABLE MUST REMAIN WITHIN DIMENSIONS		SERIES		A3-SIZE 204102			