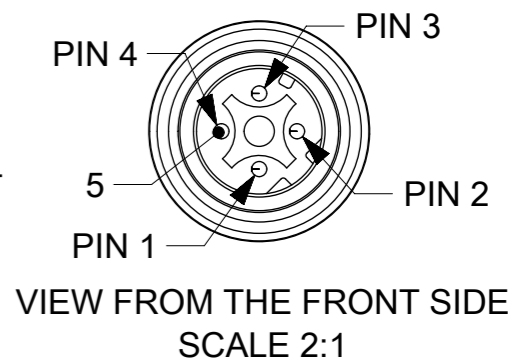
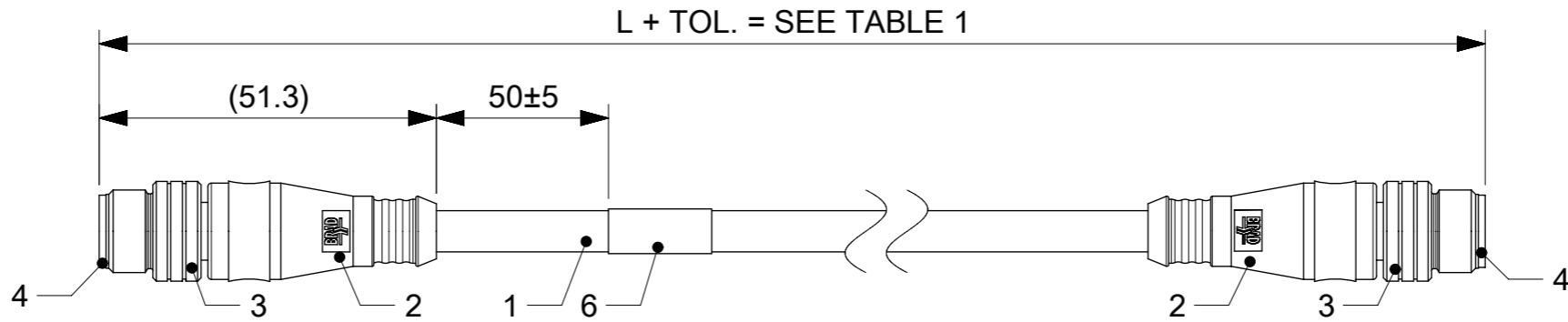
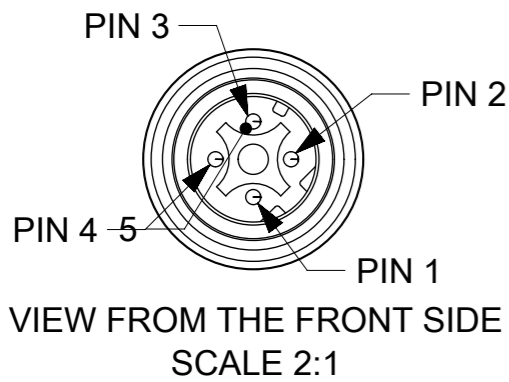
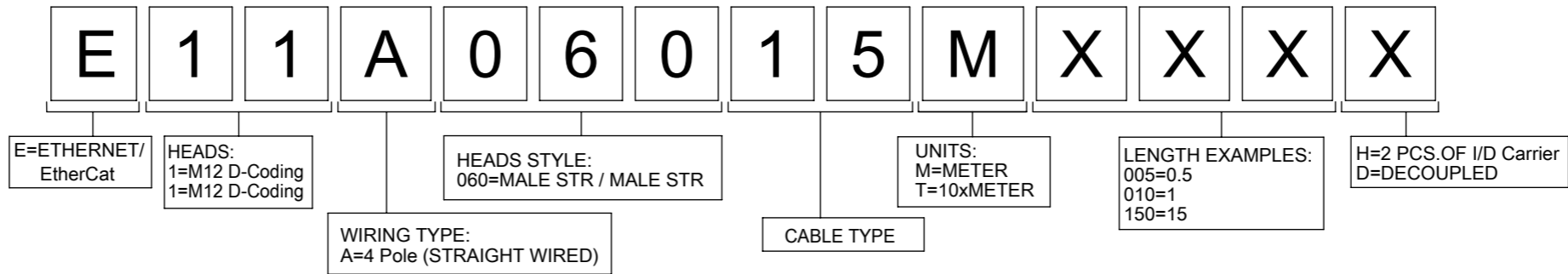


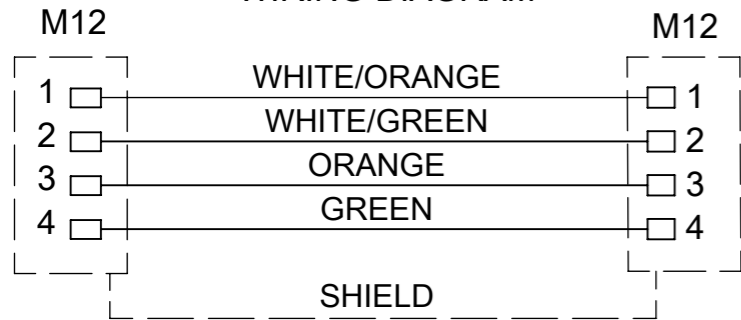
CABLE SPECIFICATION

CONDUCTOR:
 MATERIAL: TINED COPPER
 SECTION: 26AWG
 INSULATION:
 COMPOUND: POLYOLEFIN
 JACKET:
 COMPOUND: PVC
 COLOR: TEAL
 NOM. DIAMETER: 5.99mm
 TEMPERATURE RATING:
 -20°C TO +75°C
 VOLTAGE RATING MAX: 300V RMS
 DIELECTRIC WITHSTANDING MIN: 1500V RMS

PART No MATRIX



WIRING DIAGRAM



| OVER | UP TO AND INCLUDING | TOLERANCE (+) |
|-------|---------------------|---------------|
| 0 | 305 | +19 |
| 305 | 915 | +45 |
| 915 | 1830 | +56 |
| 1830 | 3660 | +89 |
| 3660 | 7320 | +165 |
| 7320 | 14640 | +317 |
| 14640 | 30500 | +610 |
| 30500 | > | +2% OF LENGTH |

BILL OF MATERIALS

| ITEM | QTY. | DESCRIPTION | MATERIAL | FINISH |
|------|------|--------------------------|--------------|------------------|
| 6 | 1 | LABEL WH | - | - |
| 5 | 8 | CONTACT MA | COPPER ALLOY | GOLD OVER NICKEL |
| 4 | 2 | INSERT MA 4P DC BK | PUR | - |
| 3 | 2 | COUPLING NUT | BRASS | NICKEL |
| 2 | - | MOULDING MATERIAL BK | TBU | - |
| 1 | - | CABLE 4x26AWG CAT5E TEAL | PVC | - |

TABLE 1

| MOLEX PN | ENGINEERING No | L [mm] | MOLEX PN | ENGINEERING No | L [mm] | MOLEX PN | ENGINEERING No | L [mm] |
|------------|----------------|--------|------------|----------------|--------|------------|----------------|--------|
| 1300480009 | E11A06015M030 | 3000 | 1300488109 | E11A06015M800 | 80000 | 1300488165 | E11A06015M420 | 42000 |
| 1300480010 | E11A06015M200 | 20000 | 1300488113 | E11A06015M350 | 35000 | 1300488166 | E11A06015M450 | 45000 |
| 1300480011 | E11A06015M400 | 40000 | 1300488125 | E11A06015M110 | 11000 | 1300488167 | E11A06015M460 | 46000 |
| 1300480122 | E11A06015M010 | 1000 | 1300488126 | E11A06015M120 | 12000 | 1300488168 | E11A06015M540 | 54000 |
| 1300480123 | E11A06015M010D | 1000 | 1300488127 | E11A06015M140 | 14000 | 1300488169 | E11A06015M550 | 55000 |
| 1300480124 | E11A06015M020 | 2000 | 1300488128 | E11A06015M060 | 6000 | 1300488170 | E11A06015M570 | 57000 |
| 1300480125 | E11A06015M020D | 2000 | 1300488145 | E11A06015M070 | 7000 | 1300488171 | E11A06015M610 | 61000 |
| 1300480126 | E11A06015M050 | 5000 | 1300488146 | E11A06015M080 | 8000 | 1300488172 | E11A06015M650 | 65000 |
| 1300480128 | E11A06015M100 | 10000 | 1300488147 | E11A06015M090 | 9000 | 1300488173 | E11A06015M700 | 70000 |
| 1300480130 | E11A06015M150 | 15000 | 1300488148 | E11A06015M130 | 13000 | 1300488174 | E11A06015M750 | 75000 |
| 1300480132 | E11A06015M300 | 30000 | 1300488159 | E11A06015M005 | 500 | 1300488175 | E11A06015M850 | 85000 |
| 1300480303 | E11A06015M500 | 50000 | 1300488160 | E11A06015M180 | 18000 | 1300488176 | E11A06015M900 | 90000 |
| 1300480304 | E11A06015M680 | 68000 | 1300488161 | E11A06015M230 | 23000 | 1300488177 | E11A06015M950 | 95000 |
| 1300488007 | E11A06015M250 | 25000 | 1300488162 | E11A06015M270 | 27000 | | | |
| 1300488012 | E11A06015M400 | 4000 | 1300488163 | E11A06015M340 | 34000 | | | |
| 1300488108 | E11A06015M600 | 60000 | 1300488164 | E11A06015M380 | 38000 | | | |

THIS DRAWING CONTAINS INFORMATION THAT IS PROPRIETARY TO MOLEX ELECTRONIC TECHNOLOGIES, LLC AND SHOULD NOT BE USED WITHOUT WRITTEN PERMISSION

| | | | | | | | | |
|---|---------------|------------|---------------------------------------|------------------------|-----------------------------|------------------------------|---------------------------------------|----------------------|
| EC NO: 118675 DRWN: DSTACHOWIAK CHK'D: APPR: MIWASIECZKO | 2017/06/26 | 2017/06/28 | GENERAL TOLERANCES (UNLESS SPECIFIED) | DIMENSION UNITS: MM | SCALE: 2:1 | | | |
| | ANGULAR TOL ± | | 4 PLACES ± | DRWN BY: DSTACHOWIAK | DATE: 2017/06/26 | | CSE M12 ETH 4P DC MA MA STR PVC XM DE | |
| | 3 PLACES ± | | 2 PLACES ± | CHK'D BY: | DATE: | | | |
| | 1 PLACE ± | | 0 PLACES ± | APPR BY: MIWASIECZKO | DATE: 2017/06/28 | | PRODUCT CUSTOMER DRAWING | |
| DRAFT WHERE APPLICABLE MUST REMAIN WITHIN DIMENSIONS | | | DRAWING SIZE: A3 | THIRD ANGLE PROJECTION | SERIES: 130048 | MATERIAL NUMBER: SEE TABLE 1 | CUSTOMER: GENERAL MARKET | |
| | | | | | DOCUMENT NUMBER: 1300488146 | DOC TYPE: PSD | DOC PART: 000 | SHEET NUMBER: 1 OF 1 |

6

5

4

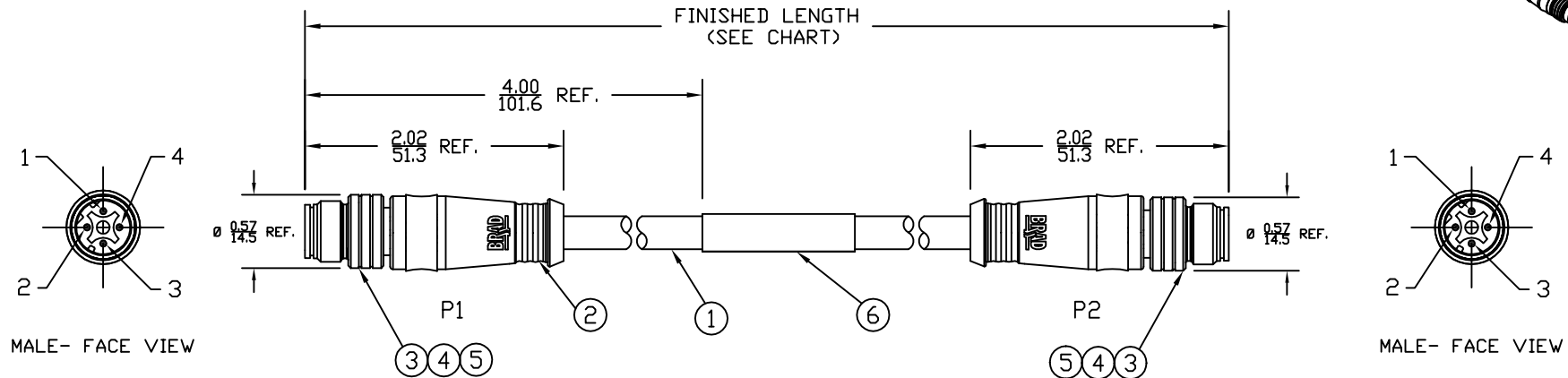
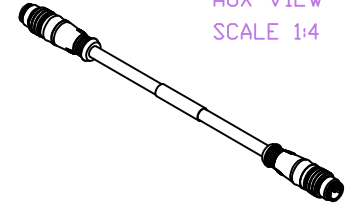
3

2

1

| PART NUMBER | ENGINEERING NO. | LENGTH ± TOLERANCE |
|-------------|-----------------|--------------------------------------|
| 1300480122 | E11A06015M010 | 3' 3" +2.19"/-0" [1M +55.6/-0 mm] |
| 1300480126 | E11A06015M050 | 16' 4" +6.5"/-0" [5M +165.0/-0 mm] |

AUX VIEW
SCALE 1:4



| P1 | | P2 | |
|----|-----------|----|--|
| 1 | WHITE/DRG | 1 | |
| 2 | WHITE/GRN | 2 | |
| 3 | ORANGE | 3 | |
| 4 | GREEN | 4 | |

WIRING DIAGRAM

NOTES:

- 1) MATERIAL: SEE TABLE
- 2) FINISHES: SEE TABLE
- 3) CABLE: #26/4 SHIELDED PVC
- 4) ELECTRICAL DATA:
ACCORDING TO CAT5e ETHERNET STANDARD
MAX. VOLTAGE: 30V
MAX. CURRENT 1.5A
- 5) ENVIRONMENTAL:
PROTECTION IP67
TEMPERATURE RANGE: -20°C TO 75°C
- 6) WRAP LABEL IS MARKED WITH P/N, DATE CODE,
VOLTAGE & AMPERAGE.
- 7) ASSEMBLY IS RoHS COMPLIANT.

| ITEM | QTY. | DESCRIPTION | MATERIAL | FINISH |
|------|------|----------------------|--------------|--------------|
| 6 | 1 | LABEL | PLASTIC FILM | BLACK/YELLOW |
| 5 | 2 | INSERT | PUR | BLACK |
| 4 | 8 | PIN CONTACT | COPPER ALLOY | GOLD PLATED |
| 3 | 2 | M12 COUPLING NUT | BRASS | NICKEL |
| 2 | 2 | OVERMOLD | PUR | BLACK |
| 1 | 1 | ETHERNET CABLE-CAT5E | PVC JACKET | TEAL |

| | | | | | | | | |
|--|-------------------------------|--|-------------|-----------------|---|--------------|------------------------|---|
| SD RELEASE EC NO: WEL2010-0005 7/13/09 DRWN: VOU CHKD: BWOODMAN APPR: JFMURPHY 2009/07/20 | QUALITY SYMBOLS ▽=0 ▽=0 | GENERAL TOLERANCES (UNLESS SPECIFIED) | | DIMENSION STYLE | SCALE | DESIGN UNITS | THIRD ANGLE PROJECTION | |
| | | | | IN/MM | 3:4 | INCH | | |
| | | 4 PLACES | mm | INCH | DRAWN BY | DATE | | TITLE |
| | | 3 PLACES | ±---- | ±---- | VOU | 2009/07/06 | | MICRO-CHANGE CABLE ASSY 4P M/MP ST/ST D-CODE #26/4 SHIELDED PVC |
| 2 PLACES | ±---- | ±.010 | CHECKED BY | DATE | MOLEX INCORPORATED | | | |
| 1 PLACE | ±---- | ±.020 | APPROVED BY | DATE | MATERIAL NO. | DOCUMENT NO. | SHEET NO. | |
| ANGULAR ± 1/2° | | DRAFT WHERE APPLICABLE MUST REMAIN WITHIN DIMENSIONS | | SEE CHART | SD-120108-020 | | 1 OF 1 | |
| | | | | SIZE | THIS DRAWING CONTAINS INFORMATION THAT IS PROPRIETARY TO MOLEX INCORPORATED AND SHOULD NOT BE USED WITHOUT WRITTEN PERMISSION | | | |
| | | | | A | | | | |

6

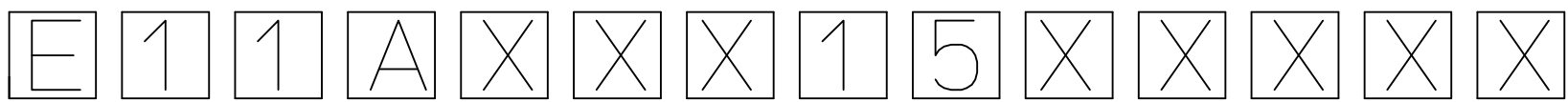
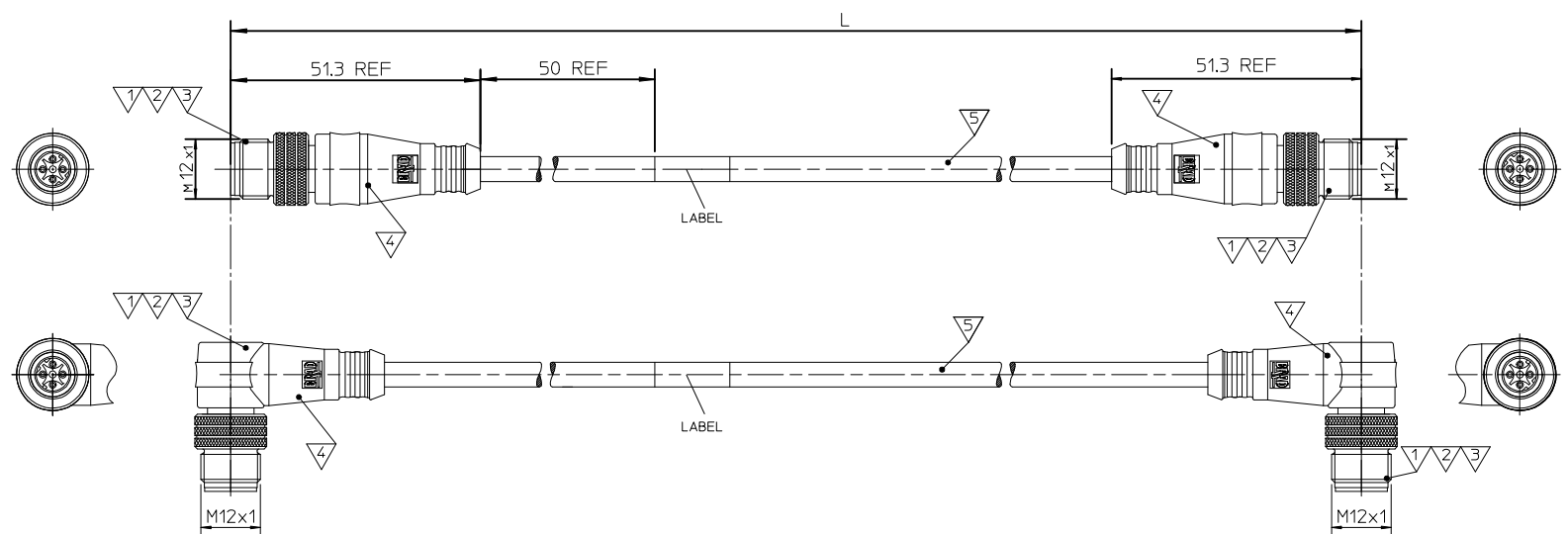
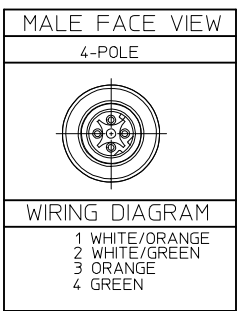
5

4

3

2

1



| | | | | | | | |
|--------------------------------|--|---------------------------|--|---|--|---|---|
| Network Protocol E-Ethernet | First and Second Connector 1=M12 Threaded 4 Pole D-code | Wiring Scheme A=4 Pole | HEAD TYPE 060 Plugs male and male straight 063 Plugs male 90° and male 90° | Cable type 26AWG 7/34 STRANDED TINNED COPPER PVC, TEAL | LENGTH UNIT C-cm M-m K-km F-feet | LENGTH Example: 020 - 2M 060 - 6M 100 - 10M | OPTIONS D- Decoupled (for Shielded version only) |
|--------------------------------|--|---------------------------|--|---|--|---|---|

| Over | Up to and including | Tolerance (+) |
|-------|---------------------|---------------|
| 0 | 305 | +19 |
| 305 | 915 | +45 |
| 915 | 1830 | +56 |
| 1830 | 3660 | +89 |
| 3660 | 7320 | +165 |
| 7320 | 14640 | +317 |
| 14640 | 30500 | +610 |
| 30500 | > | 2 % of length |

CONNECTOR SPECIFICATION:


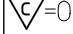

| | |
|-----------------------|---------------|
| VOLTAGE RATING | max 30V |
| AMPERAGE RATING | 1.5 A |
| PROTECTION | IP67 |
| OPERATING TEMPERATURE | -20°C TO 75°C |

| ITEM | PART | MATERIAL | FINISH |
|------|--------------|-----------------------|-----------------------|
| 5 | CABLE | 1302100082 | --- |
| 4 | OVERMOULDING | TPU UF NATURAL C98A10 | --- |
| 4 | OVERMOULDING | MASTERBATCH COLORANT | --- |
| 3 | COUPLING NUT | SEE SPECIAL TYPES | --- |
| 2 | PIN CONTACT | COPPER ALLOY | GOLD OR NICKEL PLATED |
| 1 | INSERT | PUR | BLACK |
| ITEM | PART | MATERIAL | FINISH |

| | | | | | | | |
|--|--|--|---|---------------|--------------|------------------------|-----------|
| PN ADDED EC NO: IPG2014-1381 DRWINDSTACHOWIAK 2014/02/03 CHKD: JMARSZALEK 2014/02/03 APPR: MIWASIECZKO 2014/02/04 | QUALITY SYMBOLS | GENERAL TOLERANCES (UNLESS SPECIFIED) | DIMENSION STYLE | SCALE | DESIGN UNITS | FIRST ANGLE PROJECTION | |
| | ▼=0 ◻=0 | 4 PLACES ± --- ± --- 3 PLACES ± --- ± --- 2 PLACES ± --- ± --- 1 PLACE ± --- ± --- 0 PLACE ± --- ± --- | mm INCH DRAWN BY DATE MDYSZEWSKA 2012/11/24 CHECKED BY DATE HWALCZAK 2012/11/24 APPROVED BY DATE MIWASIECZKO 2013/01/21 | MM ONLY | --- | METRIC | |
| | ANGULAR ± --- ° DRAFT WHERE APPLICABLE MUST REMAIN WITHIN DIMENSIONS | MATERIAL NO. SEE PAGE 2 | TITLE CSE ETH ETH 4P DC PVC XM DE SHLD NI | | | DOCUMENT NO. | SHEET NO. |
| | B1 | THIS DRAWING CONTAINS INFORMATION THAT IS PROPRIETARY TO MOLEX INCORPORATED AND SHOULD NOT BE USED WITHOUT WRITTEN PERMISSION | SEE PAGE 2 | SD-130048-006 | | 1 OF 2 | |

SEE CHART 1

| | |
|------------|---------------|
| 1300480009 | E11A06015M030 |
| 1300480010 | E11A06015M200 |
| 1300480011 | E11A06015M400 |
| 1300480122 | E11A06015M010 |
| 1300480124 | E11A06015M020 |
| 1300480126 | E11A06015M050 |
| 1300480128 | E11A06015M100 |
| 1300480130 | E11A06015M150 |
| 1300480132 | E11A06015M300 |
| 1300480303 | E11A06015M500 |
| 1300480304 | E11A06015M680 |
| 1300488007 | E11A06015M250 |
| 1300488012 | E11A06015M040 |
| 1300488108 | E11A06015M600 |
| 1300488109 | E11A06015M800 |
| 1300480177 | E11A06315M006 |
| 1300480179 | E11A06315M010 |
| 1300480181 | E11A06315M020 |
| 1300480183 | E11A06315M050 |
| 1300480185 | E11A06315M100 |
| 1300488073 | E11A06315M030 |

| | | | | | | | | | | |
|--|---|--|--|-----------------------------------|--------------------|--|------------------------|--|--|---------------------|
| PN ADDED EC NO: IPG2014-1381 DRWINGDSTACHOWIAK 2014/02/03 CHKD: JMARSZALEK 2014/02/03 APPR: MIWASIECZKO 2014/02/04 | QUALITY SYMBOLS  =0  =0 | GENERAL TOLERANCES (UNLESS SPECIFIED) | | DIMENSION STYLE MM ONLY | | SCALE --- | DESIGN UNITS METRIC |  FIRST ANGLE PROJECTION | | |
| | | | | DRAWN BY MDYSZEWSKA | DATE 2012/11/24 | TITLE CSE ETH ETH 4P DC PVC XM DE SHLD NI | | | | |
| | | | | CHECKED BY HWALCZAK | DATE 2012/11/24 | APPROVED BY MIWASIECZKO 2013/01/21 | | | | |
| | | | | ANGULAR ±---° | | MATERIAL NO. SEE CHART 1 | | DOCUMENT NO. SD-130048-006 | | SHEET NO. 2 OF 2 |
| B1 | REV | DRAFT WHERE APPLICABLE MUST REMAIN WITHIN DIMENSIONS | | SIZE A3 | | THIS DRAWING CONTAINS INFORMATION THAT IS PROPRIETARY TO MOLEX INCORPORATED AND SHOULD NOT BE USED WITHOUT WRITTEN PERMISSION | | | | |