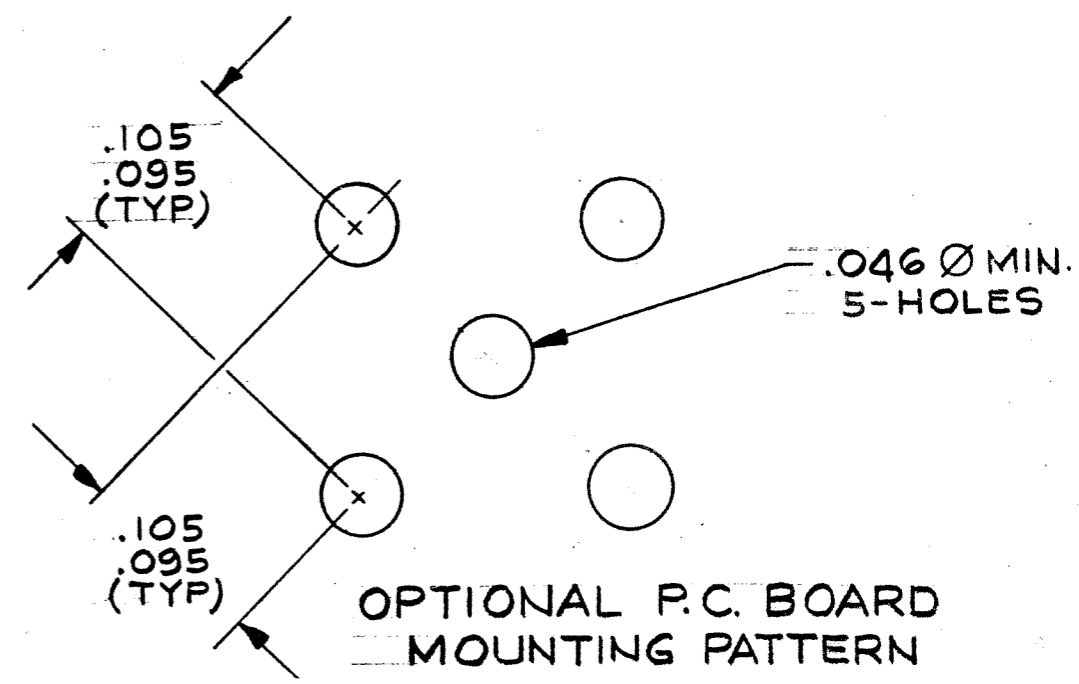
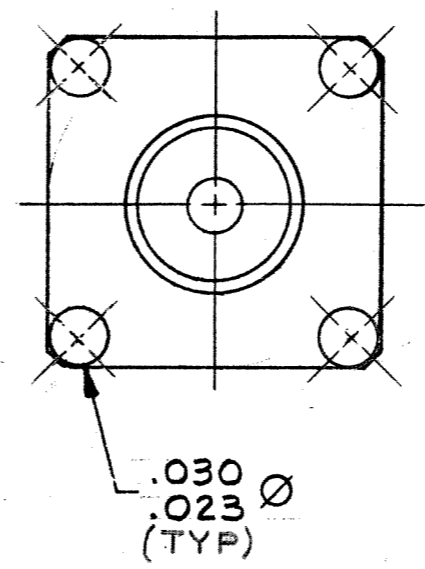
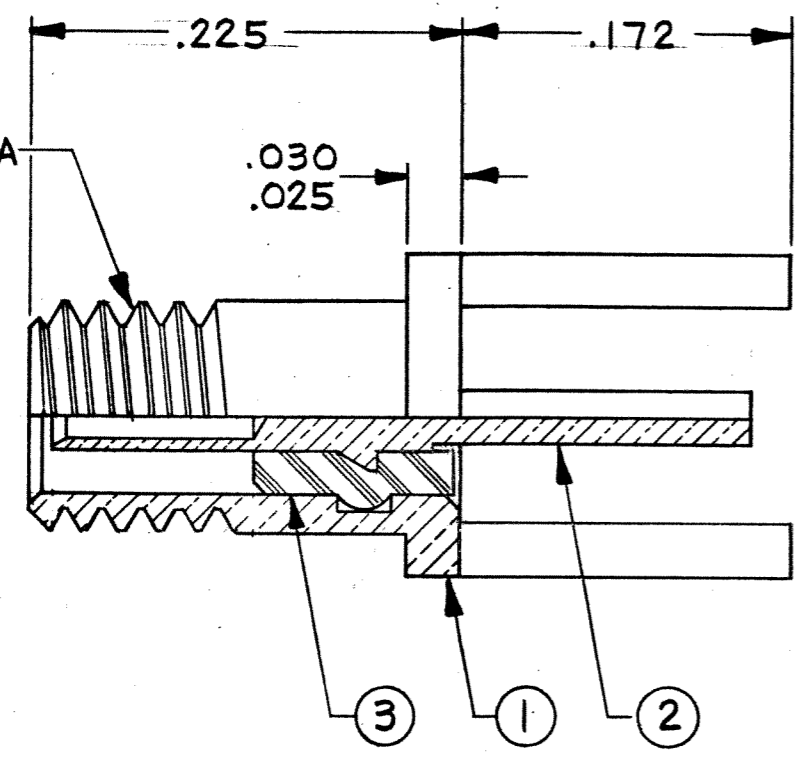


| REVISIONS | | | | | |
|-----------|-----|-------|---|-----------|----------|
| ZONE | LTR | ECN | DESCRIPTION | DATE | APPROVED |
| | D | 23403 | REVISED & REDRAWN (ORIGINALLY WAS ON 141-0004-0001-CDM) | 10-12-70 | BAH |
| | E | 34606 | .005/.015 WAS: .010/.020 | 6-1-93 | PS |
| | F | 38534 | REVISION UPDATE | 1-28-99 | PS |
| | G1 | | UPDATE PER ECO-10-013761 | 22 JUN 10 | MJS |



NOTES : UNLESS OTHERWISE SPECIFIED

- MATES WITH ALL LEPRA/CON 142 SCREW-ON SERIES PLUGS.
- ALL METALLIC PARTS ARE GOLD PLATED PER MIL-G-45204, TYPE II, GRADE C, CLASS I.

| QTY. | DESCRIPTION | MATERIAL | ITEM NO. |
|------|---------------------|----------------|----------|
| 1 | INSULATOR | TEFLON L-P-403 | 3 |
| 1 | P.C. CONTACT SOCKET | BRASS QQ-B-626 | 2 |
| 1 | P.C. HOUSING | BRASS QQ-B-626 | 1 |

| NEXT ASSY | | USED ON | | APPLICATION | | DO NOT SCALE DRAWING | |
|-----------|--|---------|--|-------------|--|----------------------|--|
| | | | | | | | |

| | | | | | |
|---|--|---|--|---|--|
| UNLESS OTHERWISE SPECIFIED DIMENSIONS ARE IN INCHES TOLERANCES ARE: FRACTIONS DECIMALS ANGLES ± .XX ± .010± .XXX ± | | CONTRACT NO. | | MALCO A MICRODOT COMPANY, INC. 220 PASADENA AVE., SO. PASADENA, CALIF. 91030 | |
| MATERIAL SEE PARTS LIST | | APPROVALS | | PRINTED CIRCUIT RECEPTACLE LEPRA/CON 141-0004-0001 | |
| FINISH 2. | | DATE | | PROD. CODE 946 CODE CD | |
| | | DRAWN M. PAVICO | | SIZE B CODE IDENT NO. 98278 DRAWING NO. 1-1532006-3 | |
| | | CHECKED G.E. HARTZICK | | SCALE 10:1 SHEET 1 OF 1 | |
| | | PR. ENG. BAH | | | |
| | | APPROVED | | | |
| | | <small>These drawings and specifications are the property of Microdot Inc., are issued in strict confidence and shall not be divulged, be reproduced or copied, or used as the basis for the manufacture or sale of any article without written permission of Microdot Inc.</small> | | | |