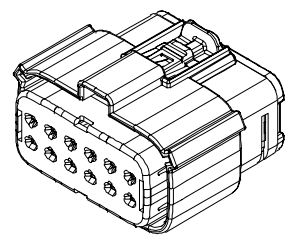
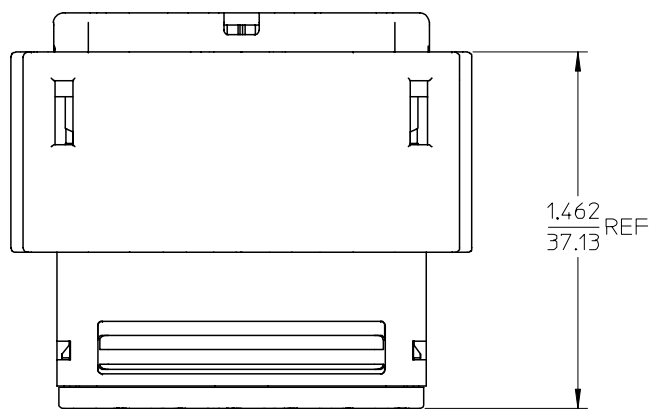
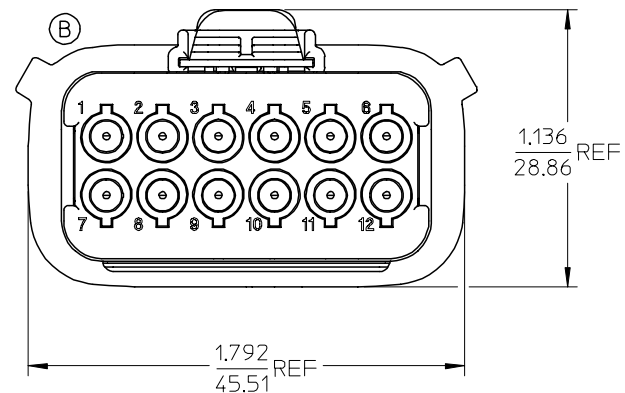
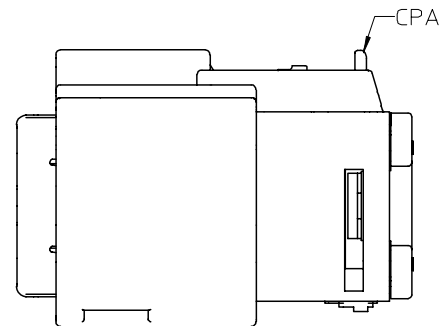
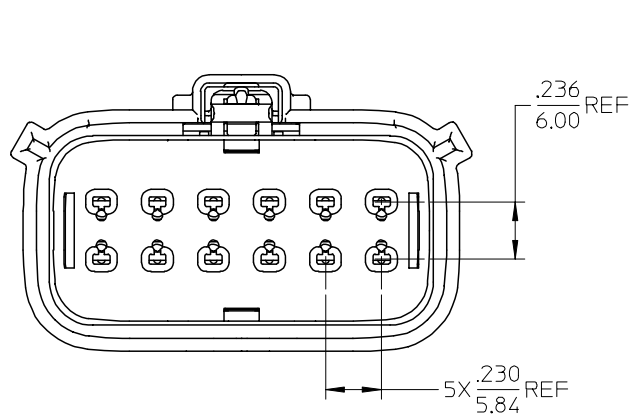


10 9 8 7 6 5 4 3 2 19418



NOTES:
 1. ASSEMBLY PACKAGED PER PK-19418-001.
 2. USE CONNECTOR WITH FEMALE CRIMP TERMINAL: SERIES 19420.

194180037	12	16-14	NO
194180038	12	22-18	
194180027	12	16-14	YES
194180026	12	22-18	
MATERIAL NUMBER	CIRCUIT SIZE	UL WIRE AWG	CPA

EC NO: ETC2005-0074 DRWN: DMYRICK 2004/10/15 CHKD: JPAWLICK 2004/10/15 APPR: RDEROSS 2004/10/15	QUALITY SYMBOLS	GENERAL TOLERANCES (UNLESS SPECIFIED)		SCALE 2:1	DESIGN UNITS INCH	THIRD ANGLE PROJECTION	REVISE ON CAD ONLY	
	DESCRIPTION ▽ = 0 ◁ = 0	4 PLACES	mm	INCH	DIMENSION STYLE IN/MM		TITLE	
		3 PLACES	± ---	± ---	DRAWN BY DMYRICK DATE 03/12/11		MOLEX INCORPORATED 12 WAY RECEPTACLE ASSEMBLY	
		2 PLACES	± 0.38	± ---	CHECKED BY JPAWLICK DATE 03/12/11			
1 PLACE	± ---	± ---	ANGULAR ± 1 °	APPROVED BY RDEROSS DATE 03/12/11		MATERIAL NO. SEE CHART	DOCUMENT NO. SD-19418-006	
REV B	DRAFT WHERE APPLICABLE			MUST REMAIN WITHIN DIMENSIONS		SHEET NO. 1 OF 1		

THIS DRAWING CONTAINS INFORMATION THAT IS PROPRIETARY TO MOLEX INCORPORATED AND SHOULD NOT BE USED WITHOUT WRITTEN PERMISSION

8 7 6 5 4 3 2 1