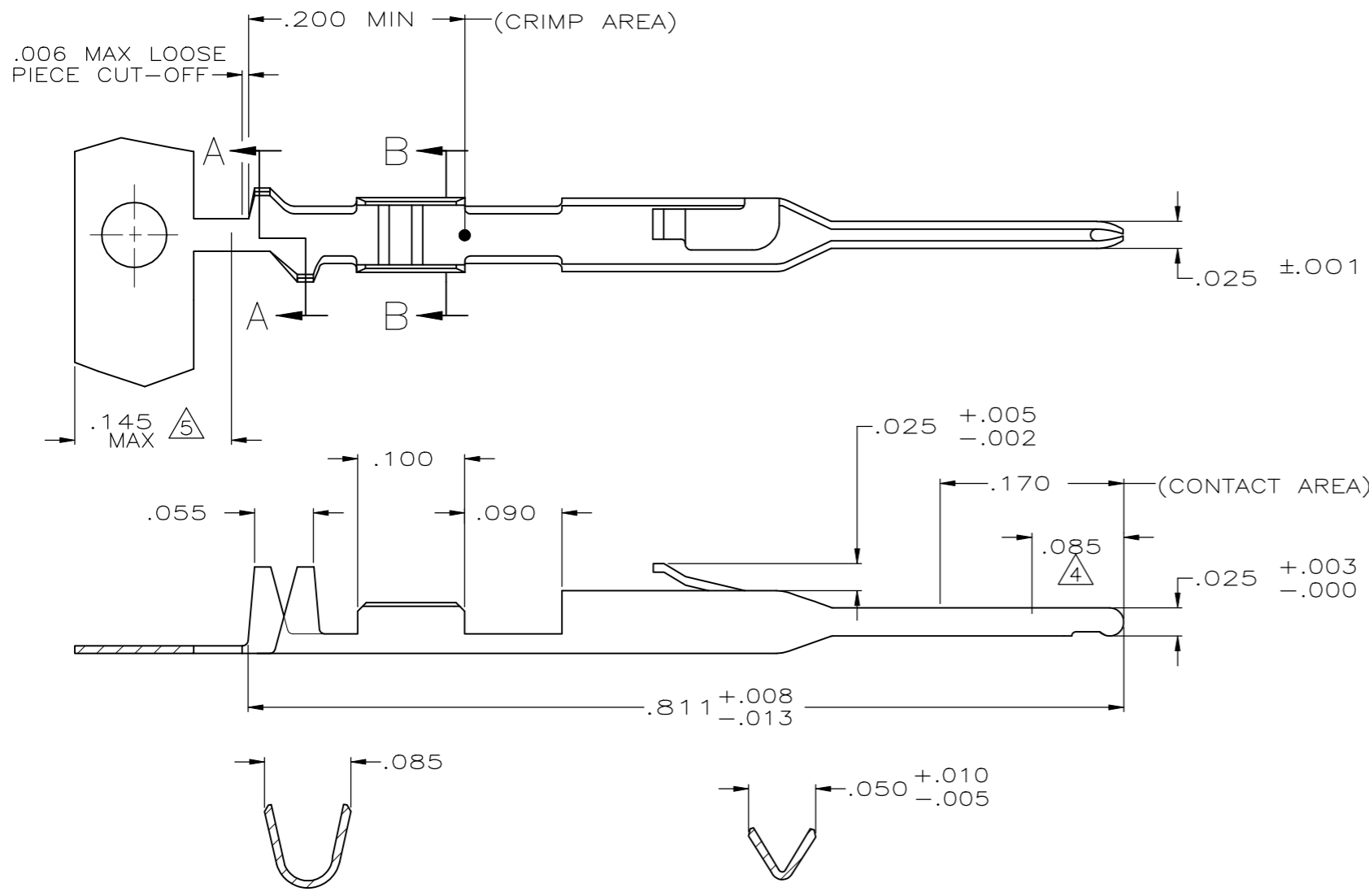


| REVISIONS | | | | |
|-----------|-----|---------------------------|-----------|--------|
| P | LTR | DESCRIPTION | DATE | APVD |
| H1 | | REVISED PER ECO-11-004917 | 11MAR11 | RK HMR |
| H2 | | REVISED PER ECO-18-014610 | 18SEP2018 | RS MM |



SECTION A-A
 INSULATION RANGE .054 MAX

SECTION B-B
 WIRE RANGE #28-#32

- 1 .000100-.000200 BRIGHT TIN-LEAD OVER .000030 NICKEL ENTIRE CONTACT
- 2 .000015 GOLD IN CONTACT AREA, .000050-.000100 BRIGHT TIN-LEAD IN CRIMP AREA, ALL OVER .000030 NICKEL ENTIRE CONTACT
- 3 .000030 GOLD IN CONTACT AREA, .000050-.000100 BRIGHT TIN-LEAD IN CRIMP AREA, ALL OVER .000030 NICKEL ENTIRE CONTACT
- 4 POINT OF MEASUREMENT FOR PLATING THICKNESS
- 5 GOLD PLATING NOT REQUIRED IN THIS AREA
- 6 .000015 GOLD IN CONTACT AREA, .000050-.000100 BRIGHT TIN IN CRIMP AREA, ALL OVER .000030 NICKEL ENTIRE CONTACT.
- 7 PRELIMINARY PART - NOT RELEASED FOR PRODUCTION.
- 8 .000100-.000200 BRIGHT TIN OVER .000030 NICKEL ENTIRE CONTACT.
- 9 .000100-.000200 MATTE TIN OVER .000030 NICKEL ENTIRE CONTACT.
- 10 .000015 GOLD IN CONTACT AREA, .000050-.000100 MATTE TIN IN CRIMP AREA, ALL OVER .000030 NICKEL ENTIRE CONTACT
- 11 .000030 GOLD IN CONTACT AREA, .000050-.000100 MATTE TIN IN CRIMP AREA, ALL OVER .000030 NICKEL ENTIRE CONTACT

| | | |
|--------|-------------------------|-------------|
| 11 | 5-104506-7 | 5-104506-6 |
| 10 | 5-104506-5 | 5-104506-4 |
| 9 | 5-104506-3 | 5-104506-2 |
| 8 | 1-104506-1 | 1-104506-0 |
| 6 | 104506-9 | 104506-8 |
| 3 | 104506-7 | 104506-6 |
| 2 | 104506-5 | 104506-4 |
| 1 | 104506-3 | 104506-2 |
| FINISH | LOOSE PIECE PART NUMBER | PART NUMBER |

THIS DRAWING IS A CONTROLLED DOCUMENT.

| | | | |
|-------------------------------|--|------------------|-------------------|
| DWN D KEITZER 12-14-88 | | NAME | PIN, AMPMODU, MTE |
| CHK S. SHUEY 12-15-88 | | PRODUCT SPEC | |
| APVD C. SINISI 12-16-88 | | APPLICATION SPEC | |
| | | RESTRICTED TO | |
| DIMENSIONS: INCHES | TOLERANCES UNLESS OTHERWISE SPECIFIED: | SIZE | CAGE CODE |
| 0 PLC ± - | 1 PLC ± - | A2 | 00779 |
| 2 PLC ± - | 3 PLC ± .005 | DRAWING NO | C-104506 |
| 4 PLC ± - | ANGLES ± - | WEIGHT | - |
| MATERIAL PHOS BRONZE | FINISH SEE TABLE | CUSTOMER DRAWING | SCALE 10:1 |
| | | | SHEET 1 of 1 |
| | | | REV H2 |

104506