

Product Change Notification

PCN-PCC-7703-2022

Business Unit	Product Line Code	Type of Change	Action	Date of Issue
PCC - PCB Connectors	AAL	Product Change Notification	Notify Distributors and Field	2/28/2022

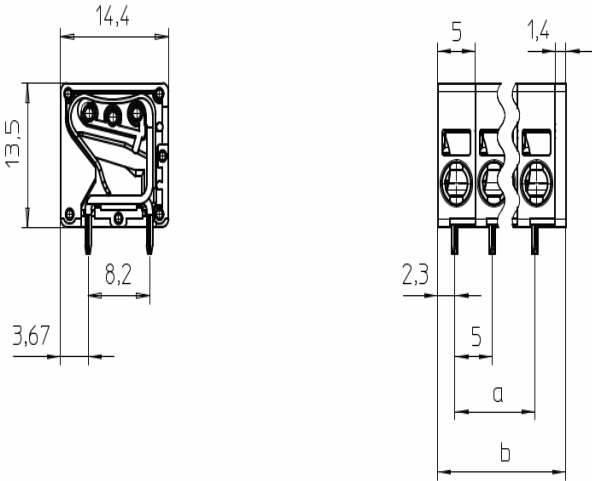
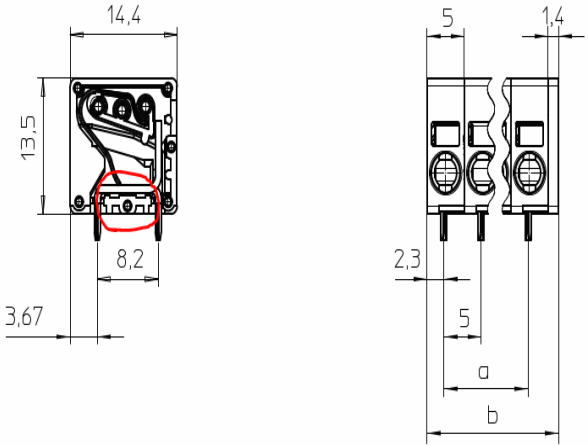
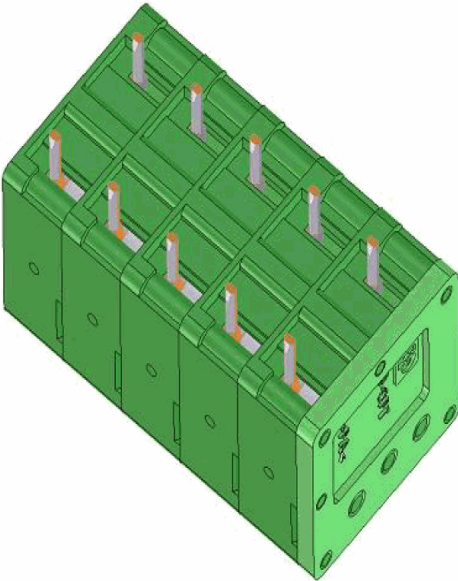
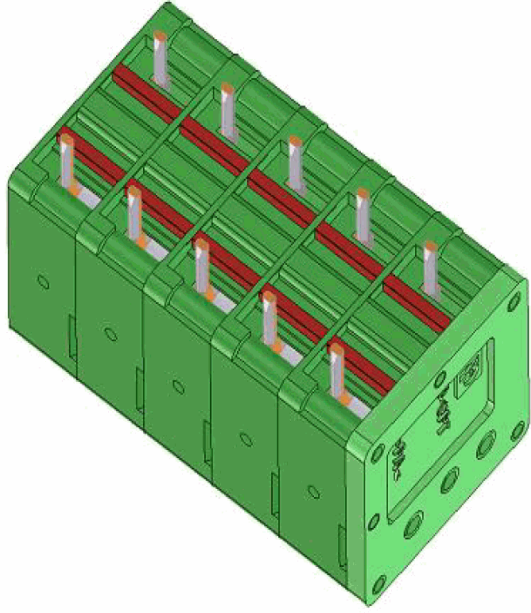
The following Phoenix Contact products have been modified. Existing specifications will be met or exceeded. Please review and acknowledge this document and inform your personnel as needed.

Description for Product Change Notification
<p>Due to the expansion of production capacities, the terminal block design of the SPT 1,5 and SPT 2,5 series will be modified and the packaging size and packing unit will be changed. The attached list CAA200001 -Details packaging.xlsx contains details of the packaging change. Furthermore, as part of the ongoing improvement process, the solder pins will be completely tin-plated. The external dimensions of the terminal blocks, the PCB layout, the technical performance data, and the terminal block approvals remain unchanged. The items will gradually switch to the new design between middle of March 2022 and December 2023. During this transition period, both the old and the new item versions will be supplied. The new item version will be indicated by an increase to the production batch on the label. Design Update Revision 01: For further optimization and to provide greater stability in the overall system, two ribs are being added to the bottom of the horizontal terminal blocks. The ribs are flush with the existing elevations and do not impact the overall height of the items. Images illustrating this optimization are provided in the Design Update document. The example drawings have also been updated.</p>

Stock Status
Can existing stock still be used? Yes
Is mixture of stock acceptable? Yes

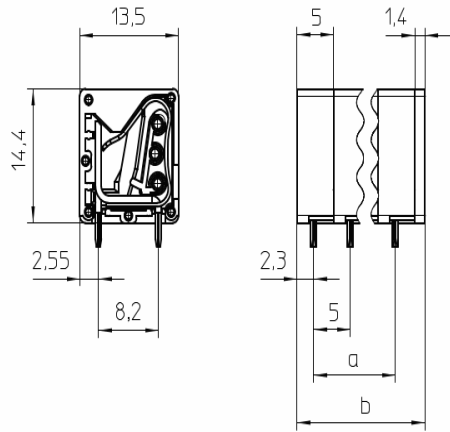
Transaction Dates
Date modification goes into effect from Germany: 3/14/2022
Expected first shipment (from Phoenix Contact) of the modified products(s): 3/14/2022

Product Change Notification

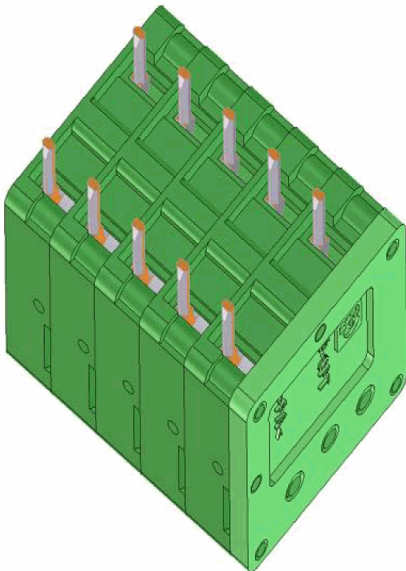
Previous Product	New Product
SPT 2,5/...-5,0-H (current design)	SPT 2,5/...-5,0-H (new design)
	
Current design bottom side SPT 2,5 horizontal version:	New design bottom side SPT 2,5 horizontal version:
	

Product Change Notification

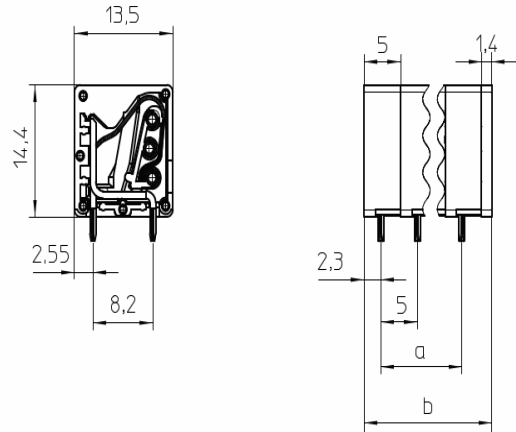
SPT 2,5/...-V-5,0 (current design)



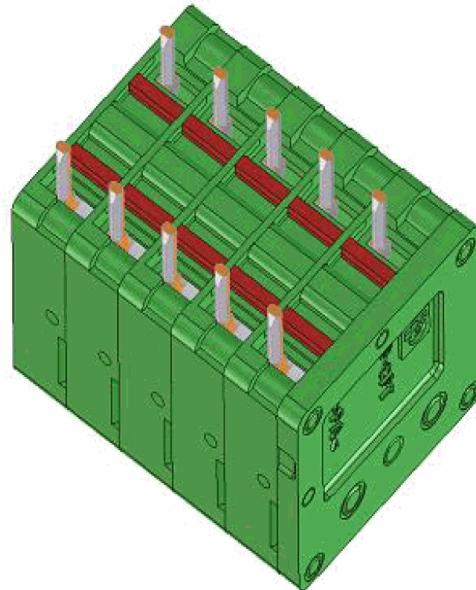
Current design bottom side SPT 1,5 horizontal version:



SPT 2,5/...-V-5,0 (new design)



New design bottom side SPT 1,5 horizontal version:





Phoenix Contact Inc.
P.O. BOX 4100
Harrisburg, PA 17111-0100
Phone: 717-944-1300

Product Change Notification

Should you have any issues with the timeline or content of this product change, please contact Phoenix Contact using the information below. Customers should acknowledge receipt of the PCN within 30 days of delivery of the PCN; provided, however, that the failure to acknowledge receipt does not affect the product change or the effective date thereof.

Contact Info:

Collin Long
clong@phoenixcontact.com

Thank you,

James Dunbar

Senior Product Marketing Manager



Phoenix Contact Inc.
P.O. BOX 4100
Harrisburg, PA 17111-0100
Phone: 717-944-1300

Product Change Notification

Part #	Type Description
1990737	SPT 1,5/ 2-H-3,5
1990740	SPT 1,5/ 3-H-3,5
1990753	SPT 1,5/ 4-H-3,5
1990766	SPT 1,5/ 5-H-3,5
1990779	SPT 1,5/ 6-H-3,5
1990782	SPT 1,5/ 7-H-3,5
1990795	SPT 1,5/ 8-H-3,5
1990805	SPT 1,5/ 9-H-3,5
1990818	SPT 1,5/10-H-3,5
1990821	SPT 1,5/11-H-3,5
1990834	SPT 1,5/12-H-3,5
1845988	SPT 1,5/ 6-V-3,5 MC
1706741	SPT 1,5/ 1-V-3,5 BK SWO
1757442	SPT 1,5/ 8-V-3,5 BK
1990850	SPT 1,5/ 2-V-3,5
1990863	SPT 1,5/ 3-V-3,5
1990876	SPT 1,5/ 4-V-3,5
1990889	SPT 1,5/ 5-V-3,5
1990892	SPT 1,5/ 6-V-3,5
1990902	SPT 1,5/ 7-V-3,5
1990915	SPT 1,5/ 8-V-3,5
1990928	SPT 1,5/ 9-V-3,5
1990931	SPT 1,5/10-V-3,5
1990944	SPT 1,5/11-V-3,5
1990957	SPT 1,5/12-V-3,5
1192712	SPT 1,5/ 8-V-3,5 GY7035
1192918	SPT 1,5/ 8-V-3,5 YE
1176320	SPT 2,5/ 2-H-5,0 MC BK/YE
1117021	SPT 2,5/ 6-H-5,0 MC RD-BK
1711043	SPT 2,5/ 2-H-5,0 RD/BK
1832920	SPT 2,5/ 1-H-5,0 BK
1176322	SPT 2,5/ 2-H-5,0 MC BK/OG
1708330	SPT 2,5/ 6-H-5,0 MIXCOG-BK
1704736	SPT 2,5/ 2-H-5,0 BK
1827304	SPT 2,5/ 3-H-5,0 BK
1769090	SPT 2,5/ 6-H-5,0 BK
1117022	SPT 2,5/ 8-H-5,0 MC SVT-BU
1708331	SPT 2,5/ 8-H-5,0 MIXCSVT-RD
1832962	SPT 2,5/ 1-H-5,0 BU
1081003	SPT 2,5/ 2-H-5,0 BU
1751066	SPT 2,5/ 1-H-5,0
1990973	SPT 2,5/ 2-H-5,0
1732386	SPT 2,5/ 2-H-5,0-EX
1990986	SPT 2,5/ 3-H-5,0
1732399	SPT 2,5/ 3-H-5,0-EX
1990999	SPT 2,5/ 4-H-5,0
1034484	SPT 2,5/ 4-H-EX PROFINET 1



Phoenix Contact Inc.
 P.O. BOX 4100
 Harrisburg, PA 17111-0100
 Phone: 717-944-1300

Product Change Notification

1034522	SPT 2,5/ 4-H-EX PROFINET 2
1991008	SPT 2,5/ 5-H-5,0
1991011	SPT 2,5/ 6-H-5,0
1991024	SPT 2,5/ 7-H-5,0
1991037	SPT 2,5/ 8-H-5,0
1991040	SPT 2,5/ 9-H-5,0
1991053	SPT 2,5/10-H-5,0
1991066	SPT 2,5/11-H-5,0
1991079	SPT 2,5/12-H-5,0
1832946	SPT 2,5/ 1-H-5,0 GY
1833042	SPT 2,5/ 1-H-5,0 OG
1081000	SPT 2,5/ 2-H-5,0 RD
1703595	SPT 2,5/ 2-V-5,0 BK
1827223	SPT 2,5/ 4-V-5,0 BK BDWH:D0-V
1706436	SPT 2,5/ 4-V-5,0 BKBDWH:V-D0SO
1827252	SPT 2,5/ 4-V-5,0 BN BDWH:1-7
1827265	SPT 2,5/ 4-V-5,0 BN BDWH:2-8
1708740	SPT 2,5/ 2-V-5,0 BU
1771538	SPT 2,5/ 4-V-5,0 BU
1706407	SPT 2,5/10-V-5,0 BU BD:2-20 EV
1705927	SPT 2,5/10-V-5,0 BU
1706405	SPT 2,5/10-V-5,0 BU BD:1-19 OD
1731468	SPT 2,5/ 1-V-5,0
1991095	SPT 2,5/ 2-V-5,0
1732496	SPT 2,5/ 2-V-5,0-EX
1991105	SPT 2,5/ 3-V-5,0
1732506	SPT 2,5/ 3-V-5,0-EX
1991118	SPT 2,5/ 4-V-5,0
1034460	SPT 2,5/ 4-V-EX PROFINET 2
1034421	SPT 2,5/ 4-V-EX PROFINET 1
1732519	SPT 2,5/ 4-V-5,0-EX
1991121	SPT 2,5/ 5-V-5,0
1991134	SPT 2,5/ 6-V-5,0
1991147	SPT 2,5/ 7-V-5,0
1991150	SPT 2,5/ 8-V-5,0
1732551	SPT 2,5/ 8-V-5,0-EX
1991163	SPT 2,5/ 9-V-5,0
1991176	SPT 2,5/10-V-5,0
1732577	SPT 2,5/10-V-5,0-EX
1991189	SPT 2,5/11-V-5,0
1991192	SPT 2,5/12-V-5,0
1732593	SPT 2,5/12-V-5,0-EX
1704867	SPT 2,5/ 2-V-5,0 GY7035
1706410	SPT 2,5/ 4-V-5,0 GY BD:1-7 ODD
1704868	SPT 2,5/ 4-V-5,0 GY7035
1706411	SPT 2,5/ 4-V-5,0 GYBD:2-8 EVEN
1706409	SPT 2,5/ 4-V-5,0 OG BD:1-4
1705929	SPT 2,5/ 4-V-5,0 OG



Phoenix Contact Inc.
P.O. BOX 4100
Harrisburg, PA 17111-0100
Phone: 717-944-1300

Product Change Notification

1778544	SPT 2,5/ 2-V-5,0 MIXRD/BK
1161105	SPT 2,5/ 3-V-5,0 EX MCRDNGYBD
1703594	SPT 2,5/ 2-V-5,0 RD
1705665	SPT 2,5/ 4-V-5,0 MC 3RZ 2,5
1705925	SPT 2,5/ 4-V-5,0 RD
1704757	SPT 2,5/ 5-V-5,0 RD
1706417	SPT 2,5/ 5-V-5,0 RD BD:1-5
1705926	SPT 2,5/ 6-V-5,0 RD
1827236	SPT 2,5/ 4-V-5,0 SVT BDWH4-1SO
1772896	SPT 2,5/ 5-V-5,0 MIXED COL
1705932	SPT 2,5/ 4-V-5,0 WH
1705930	SPT 2,5/ 4-V-5,0 YE
1827249	SPT 2,5/ 5-V-5,0 YE BD:1-5
1709800	SPT 2,5/10-V-5,0 RDBDSOWH:19-1
1709802	SPT 2,5/10-V-5,0 RDBDSOWH:20-2