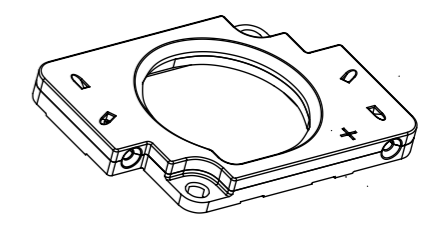
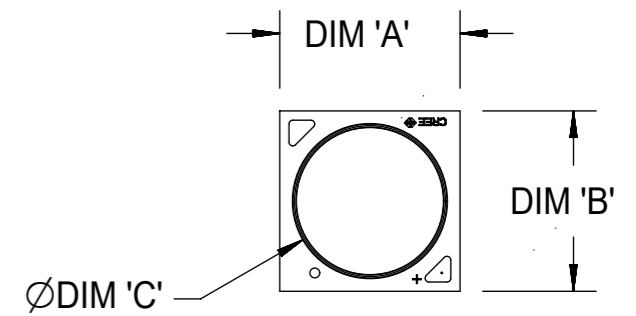
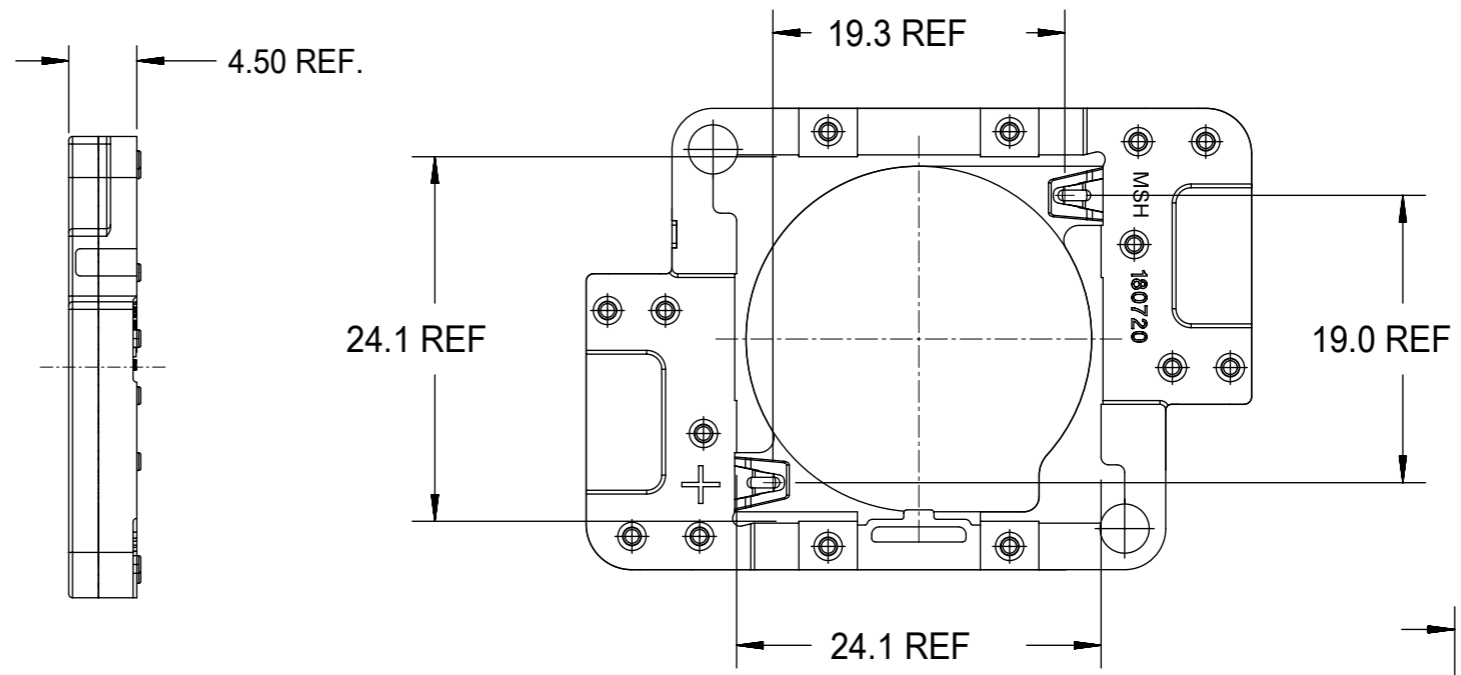
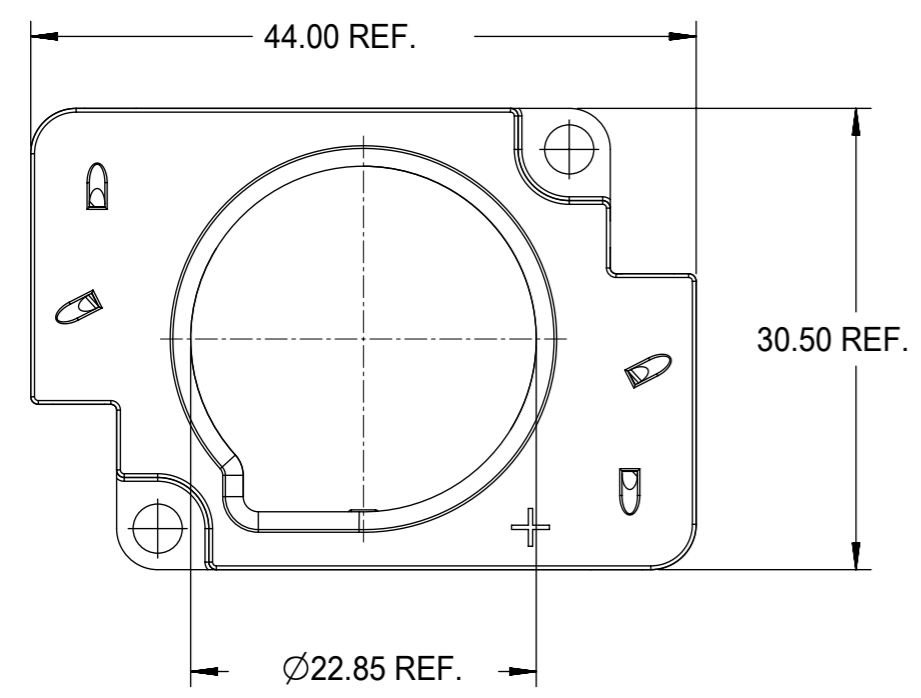


COB MFG	TYPE	DIM 'A'	DIM 'B'	THICKNESS	DIM 'C'
CREE	CXA2520	23.85	23.85	1.15	21.0
CREE	CXA2530	23.85	23.85	1.15	21.0
CREE	CXA2540	23.85	23.85	1.15	21.0
CREE	CXA2590	23.85	23.85	1.00	21.0
CREE	CXB2530	23.85	23.85	1.15	21.0
CREE	CXB2540	23.85	23.85	1.15	21.0
OSRAM	SOLERIQ S19	24.00	24.00	0.90	19.8



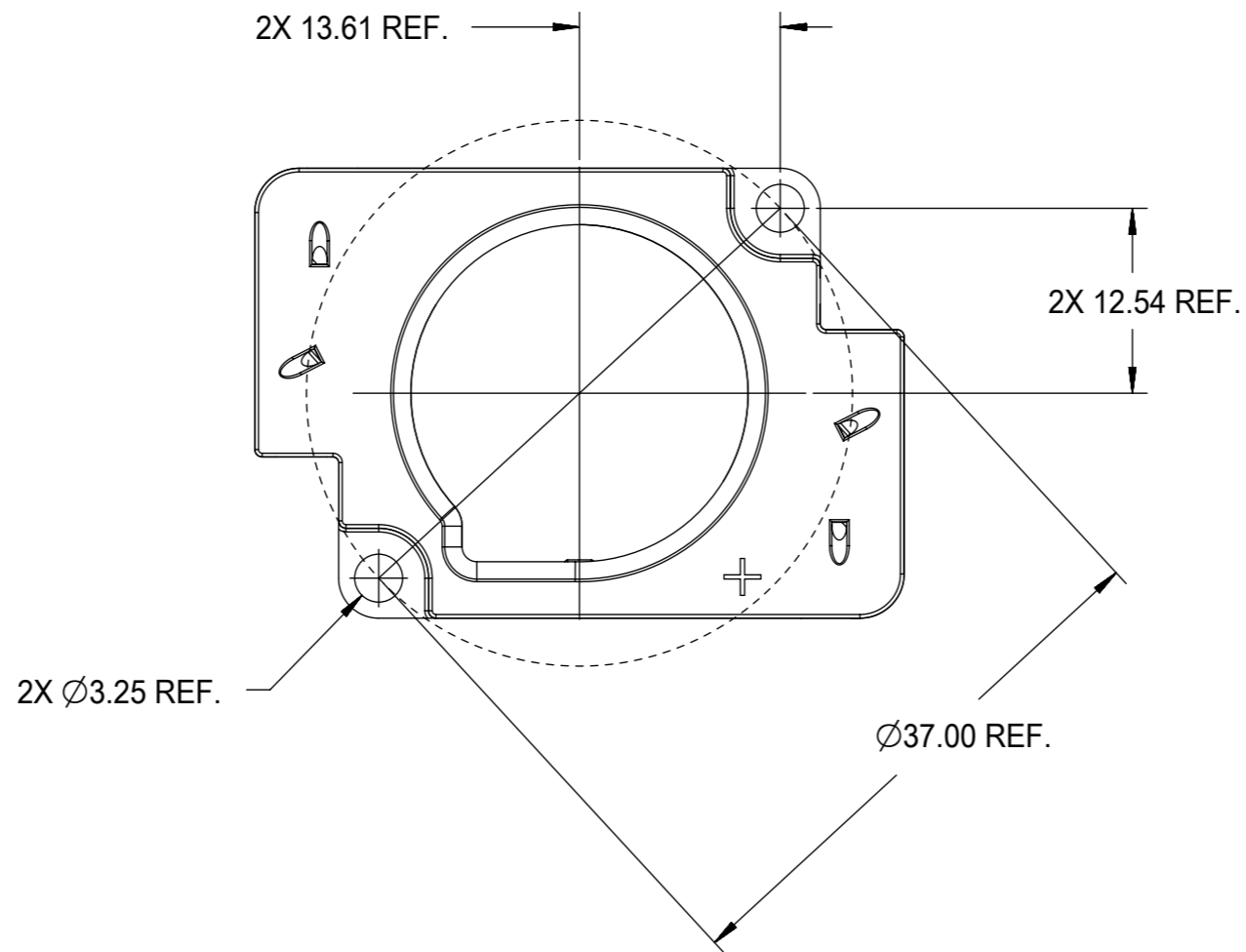
ISO VIEW  
SCALE 1:1



COB LED  
SCALE 1:1

- NOTES:
- MATERIALS:
    - TOP HOUSING: WHITE COLOR PBT 30% GF UL94V-0
    - BOTTOM HOUSING: WHITE COLOR PBT 30% GF UL94V-0
  - WIRE TRAP TERMINALS: COPPER ALLOY
    - FINISH: SELECTIVE GOLD OVER NICKEL
  - THIS PRODUCT IS ELV AND ROHS COMPLIANT
  - APPLICABLE WIRE GAUGE - 18, 20, OR 22 AWG
    - SOLID WIRE IS RECOMMENDED
    - IF STRANDED WIRE IS USED, PRE-TINNED IS RECOMMENDED
    - 11.0mm ±1.0mm STRIP LENGTH IS RECOMMENDED
  - MOUNT HOLDER USING M3 SCREWS (2), 0.4 NEWTON METER MINIMUM TORQUE 0.8 NEWTON METER MAXIMUM TORQUE.
  - UL:OLFB2 UL496 FILE: E345583.

SYMBOLS		THIS DRAWING CONTAINS INFORMATION THAT IS PROPRIETARY TO MOLEX ELECTRONIC TECHNOLOGIES, LLC AND SHOULD NOT BE USED WITHOUT WRITTEN PERMISSION		CURRENT REV DESC:		<b>molex</b>	
▽ = 0	mm	SCALE	2:1	EC NO: 612277			
▽ = 0	GENERAL TOLERANCES (UNLESS SPECIFIED)		DRWN: SCHEN76		2019/01/30	COB LED HOLDER WITH PRE HOLD	
▽ = 0	ANGULAR TOL ± 0.5°		CHK'D: AYIN		2019/02/19	PRODUCT CUSTOMER DRAWING	
▽ = 0	4 PLACES	±	APPR: AYIN		2019/02/19	DOCUMENT NUMBER	
▽ = 0	3 PLACES	±	INITIAL REVISION:		SD-180720-002		
▽ = 0	2 PLACES	±	DRWN: FJAKLIC		2013/05/14	DOC TYPE	DOC PART
▽ = 0	1 PLACE	±	APPR: DMCGOWAN		2013/05/21	PSD	001
▽ = 0	0 PLACES	±	THIRD ANGLE PROJECTION		SERIES		REVISION
□ = 0	DRAFT WHERE APPLICABLE MUST REMAIN WITHIN DIMENSIONS		DRAWING		A3-SIZE	MATERIAL NUMBER	CUSTOMER
▽ = 0			SERIES		180720	GENERAL MARKET	SHEET NUMBER
						1 OF 2	



HOLDER MOUNT DETAIL

SYMBOLS	THIS DRAWING CONTAINS INFORMATION THAT IS PROPRIETARY TO MOLEX ELECTRONIC TECHNOLOGIES, LLC AND SHOULD NOT BE USED WITHOUT WRITTEN PERMISSION													
	▽ = 0	DIMENSION UNITS	SCALE	CURRENT REV DESC:							<b>molex</b>			
▽ = 0	mm	2:1	EC NO: 612277							COB LED HOLDER				
▽ = 0	GENERAL TOLERANCES (UNLESS SPECIFIED)			DRWN: SCHEN76 2019/01/30							WITH PRE HOLD			
▽ = 0	ANGULAR TOL ± 0.5°			CHK'D: AYIN 2019/02/19							PRODUCT CUSTOMER DRAWING			
▽ = 0	4 PLACES ±	INITIAL REVISION:			APPR: AYIN 2019/02/19							DOCUMENT NUMBER		
▽ = 0	3 PLACES ±	DRWN: FJAKLIC 2013/05/14			SD-180720-002							DOC TYPE	DOC PART	REVISION
▽ = 0	2 PLACES ±	APPR: DMCGOWAN 2013/05/21			SERIES							MATERIAL NUMBER	CUSTOMER	SHEET NUMBER
▽ = 0	1 PLACE ±	DRAFT WHERE APPLICABLE MUST REMAIN WITHIN DIMENSIONS			THIRD ANGLE PROJECTION	DRAWING	SERIES	MATERIAL NUMBER	CUSTOMER	SHEET NUMBER				
▽ = 0	0 PLACES ±	A3-SIZE			180720	GENERAL MARKET		2 OF 2						