

# Housing - HC-STA-D07-CHWSCM-1TTP11-EL-AL - 1419248


Please be informed that the data shown in this PDF Document is generated from our Online Catalog. Please find the complete data in the user's documentation. Our General Terms of Use for Downloads are valid (<http://phoenixcontact.com/download>)



Coupling housings D7, with single locking latch, material: Die-cast aluminum, salt water resistant, protective cover material: PA, cable outlets: 1, straight, height: 60.5 mm, cable gland: none, support sleeve: yes, 1x Pg11, protective cover: yes, Standard, for pin inserts



## Key Commercial Data

Packing unit	1 pc
GTIN	 4 055626 159799
GTIN	4055626159799

## Technical data

### Dimensions

Height	60.5 mm
Width	34.2 mm
Length	24.2 mm

### Ambient conditions

Degree of protection (IP)	IP66
	IP67
Ambient temperature (operation)	-40 °C ... 125 °C

### General

Note	for contact inserts HC-A03, A04, D07, D08, Q02, Q03, Q04, Q05, Q07, Q12
Size	D7
Housing type	Coupling housings
Color	gray aluminum
Locking type	with single locking latch
No. of cable outlets	1
Cable outlet	straight

# Housing - HC-STA-D07-CHWSCM-1TTP11-EL-AL - 1419248

## Technical data

### General

Screw connection	none
Type of the screw connection	1x Pg11
Protective cover	yes
Housing material	Die-cast aluminum, salt water resistant
Housing surface material	uncoated
Material lock	PA
Material, protective cover	PA

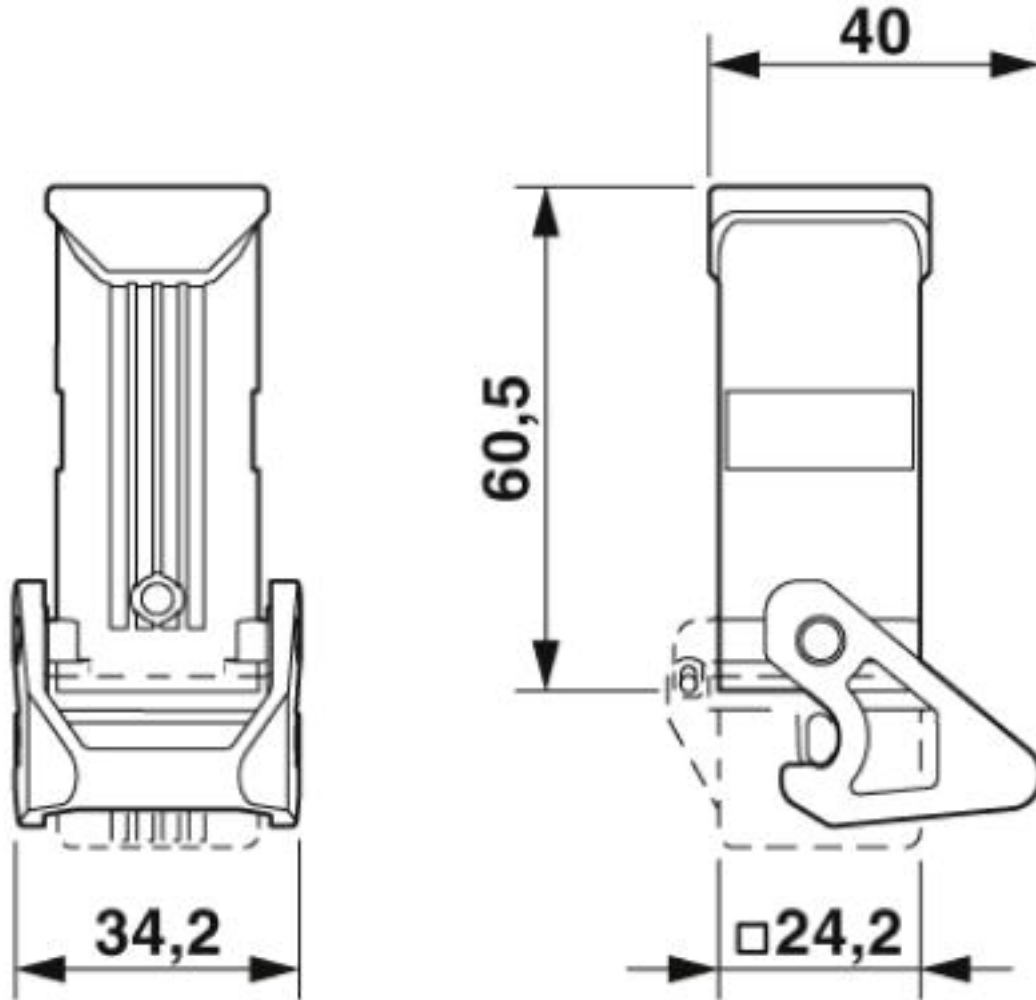
### Environmental Product Compliance

China RoHS	Environmentally Friendly Use Period = 50
	For details about hazardous substances go to tab "Downloads", Category "Manufacturer's declaration"

## Drawings

# Housing - HC-STA-D07-CHWSCM-1TTP11-EL-AL - 1419248

Dimensional drawing



Dimensional drawing

Approvals

Approvals

---

Approvals

EAC / DNV GL

---

Ex Approvals

---

Approval details

## Housing - HC-STA-D07-CHWSCM-1TTP11-EL-AL - 1419248

### Approvals

EAC		RU C- DE.AI30.B.01102
-----	---	--------------------------

DNV GL		<a href="https://approvalfinder.dnvgl.com/">https://approvalfinder.dnvgl.com/</a>	TAE000037S
--------	---	---	------------

Phoenix Contact 2019 © - all rights reserved  
<http://www.phoenixcontact.com>

PHOENIX CONTACT GmbH & Co. KG  
Flachsmarktstr. 8  
32825 Blomberg  
Germany  
Tel. +49 5235 300  
Fax +49 5235 3 41200  
<http://www.phoenixcontact.com>