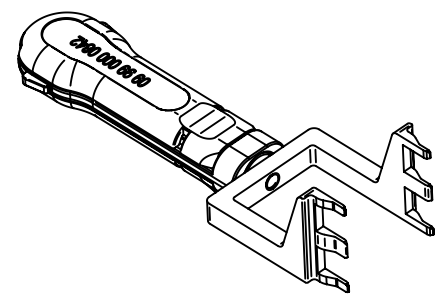
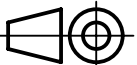



① for double modules
 only for plastic frames
 e.g. Han-Eco, Han-Modular docking-frame



 All Dimensions in mm Original Size DIN A4	Scale	Free size tol.			Ref.
	1:1				Sub.
 All rights reserved Department EL PD - DE	Created by	Inspected by	Standardisation	Date	State
	MOELLERLI	WANGJ	TIEMANNA	2013-11-14	Final Release
HARTING Electric GmbH & Co. KG D-32339 Espelkamp	Title			Han-Modular removal tool ①	Doc-Key / ECM-Nr. 100552830/UGD/001/A 500000068197
	Type	Number			
	TB	09 99 000 0842		A	1/1