

MATERIALS AND FINISHES

OUTER CONTACT: BRASS
PLATED NICKEL OR GOLD

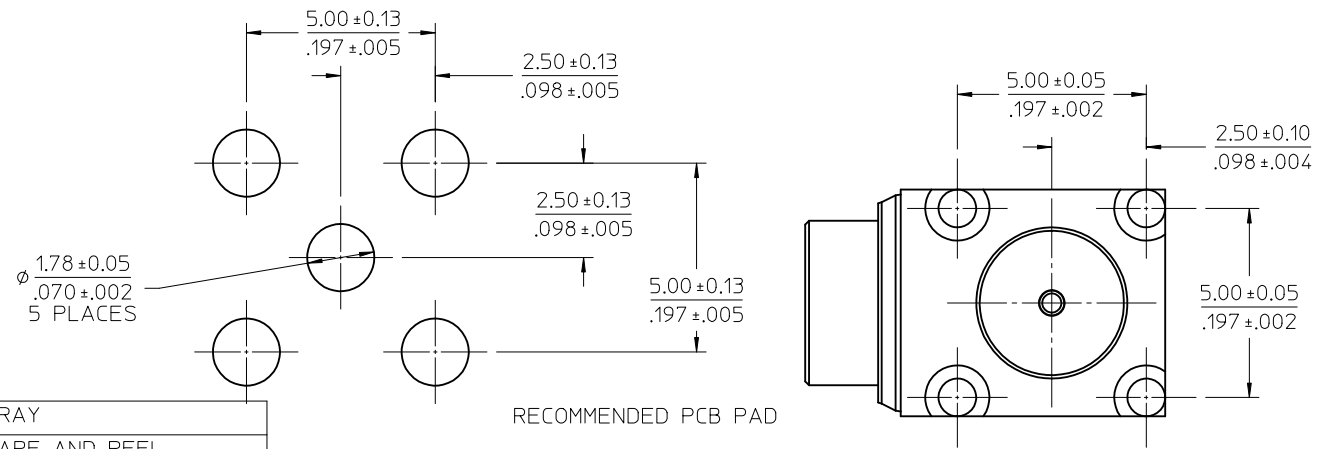
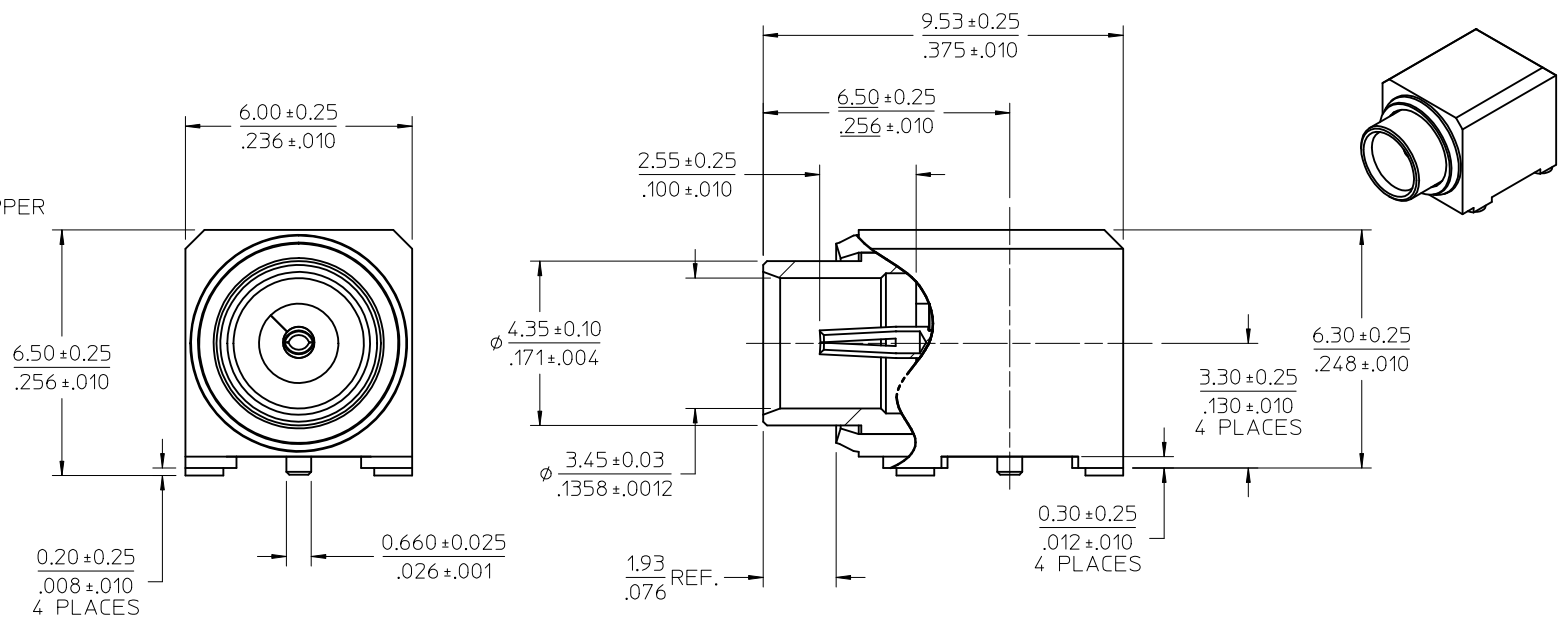
CENTER CONTACT: BERYLLIUM COPPER
PLATED GOLD

INSULATOR
TEFLON & ULTEM

HOUSING
ZINC ALLOY,
PLATED TRI-M OR GOLD

SPECIFICATION
PS-73598-0132

PACKAGING
TRAY OR TAPE AND REEL



73415-4335 (GOLD FLASH)	TRAY
73415-4334 (GOLD FLASH)	TAPE AND REEL
73415-4333 (GOLD PLATING)	TAPE AND REEL
73415-4332 (GOLD PLATING)	TRAY
73415-4331 (Ni/TRI-M)	TAPE AND REEL
73415-4330 (Ni/TRI-M)	TRAY
PART NUMBER	PACKAGING

REV	DESCRIPTION	DATE
	APPR:MHUANG	2011/10/25
CHKD:	DRWINELIN	2011/10/11
EC NO:	URF2012-0192	
ADDED P/N:	73415-4334/-4335	
PER	PDR110912	
A6		

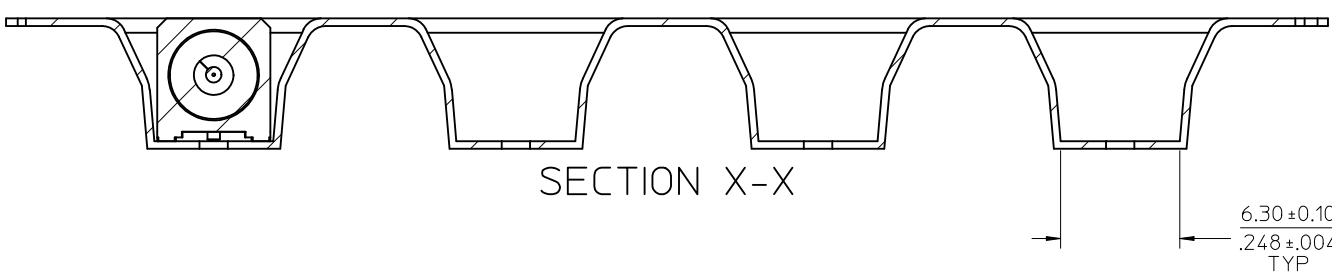
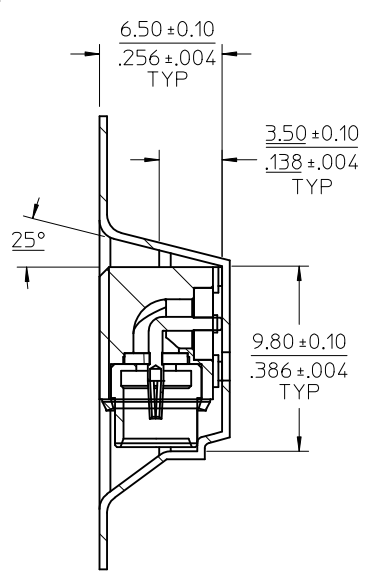
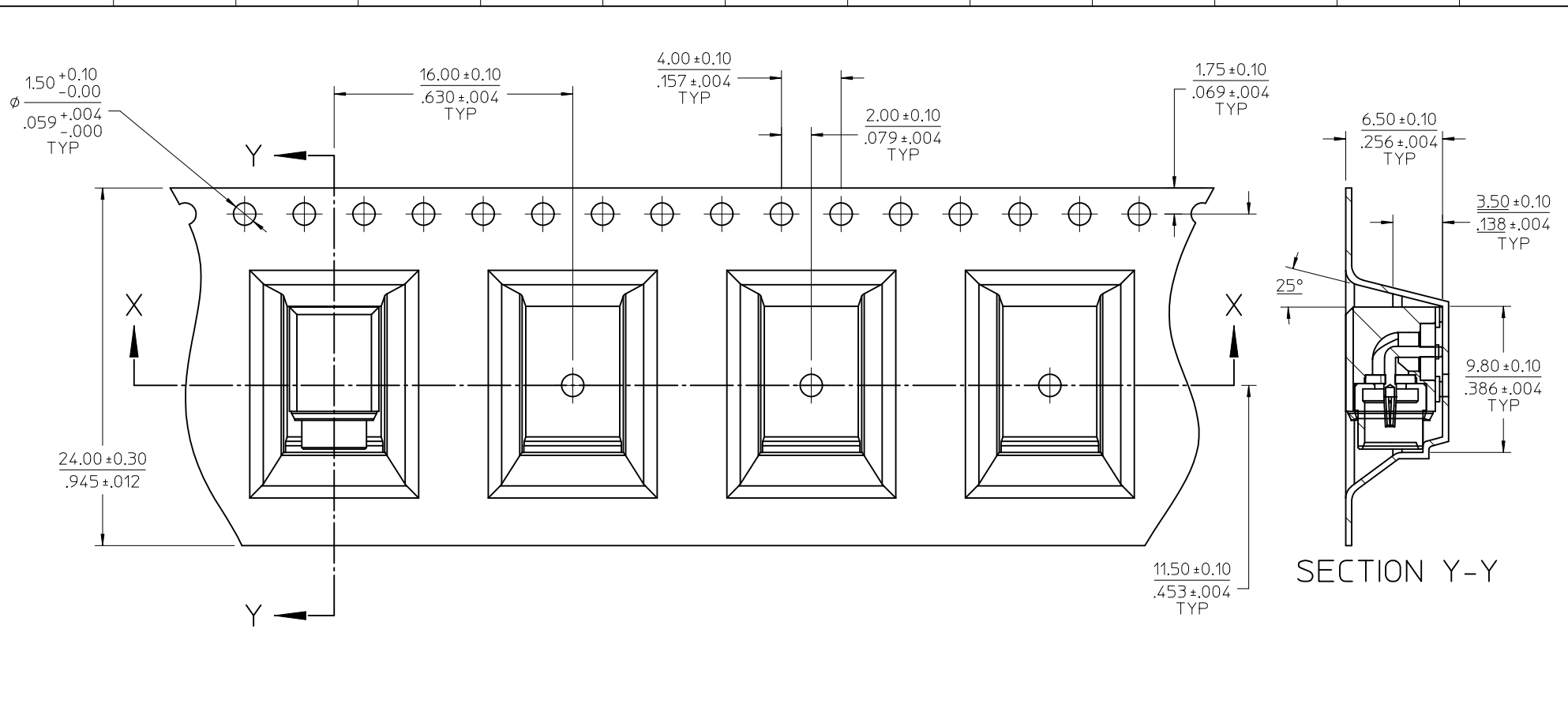
QUALITY SYMBOLS	$\nabla=0$ $\nabla=0$
-----------------	--------------------------

GENERAL TOLERANCES (UNLESS SPECIFIED)
4 PLACES ± --- ± ---
3 PLACES ± --- ± ---
2 PLACES ± --- ± ---
1 PLACE ± --- ± ---
ANGULAR ± 2 °
DRAFT WHERE APPLICABLE MUST REMAIN WITHIN DIMENSIONS

DIMENSION STYLE	MM/IN
DRAWN BY	DATE
SSS	2004/04/30
CHECKED BY	DATE
TEF	2004/04/30
APPROVED BY	DATE
SSS	2004/04/30
MATERIAL NO.	SEE TABLE
SIZE	C

SCALE	DESIGN UNITS	THIRD ANGLE PROJECTION
	METRIC	
TITLE		
MCX JACK, R/A SMT TYPE		
75 OHMS		
MCX-J/RA/PCB		
MOLEX INCORPORATED		
DOCUMENT NO.	SD-73415-433	SHEET NO.
		1 OF 2
THIS DRAWING CONTAINS INFORMATION THAT IS PROPRIETARY TO MOLEX INCORPORATED AND SHOULD NOT BE USED WITHOUT WRITTEN PERMISSION		

13 12 11 10 9 8 7 6 5 4 3 2 1



SECTION X-X

SECTION Y-Y

CHG: SEE SHEET 1 EC NO: URF2012-0192 DRWNLN: 2011/10/11 CHKD: APPR: MHIUANG 2011/10/25 DESCRIPTION	QUALITY SYMBOLS	GENERAL TOLERANCES (UNLESS SPECIFIED)	DIMENSION STYLE	SCALE	DESIGN UNITS	THIRD ANGLE PROJECTION
	$\nabla=0$ $\nabla=0$	mm INCH	MM/IN	METRIC	DRAWN BY DATE SSS 2004/04/30 CHECKED BY DATE TEF 2004/04/30 APPROVED BY DATE SSS 2004/04/30	TITLE MCX JACK, R/A SMT TYPE 75 OHMS MCX-J/RA/PCB
	4 PLACES \pm --- \pm --- 3 PLACES \pm --- \pm --- 2 PLACES \pm --- \pm --- 1 PLACE \pm --- \pm --- ANGULAR $\pm 2^\circ$	MATERIAL NO. SEE TABLE	DOCUMENT NO. SD-73415-433	SHEET NO. 2 OF 2		
	DRAFT WHERE APPLICABLE MUST REMAIN WITHIN DIMENSIONS	THIS DRAWING CONTAINS INFORMATION THAT IS PROPRIETARY TO MOLEX INCORPORATED AND SHOULD NOT BE USED WITHOUT WRITTEN PERMISSION				

MATERIALS AND FINISHES

OUTER CONTACT: BRASS
PLATED NICKEL OR GOLD

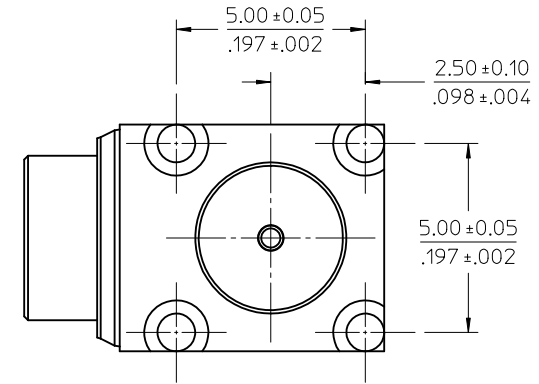
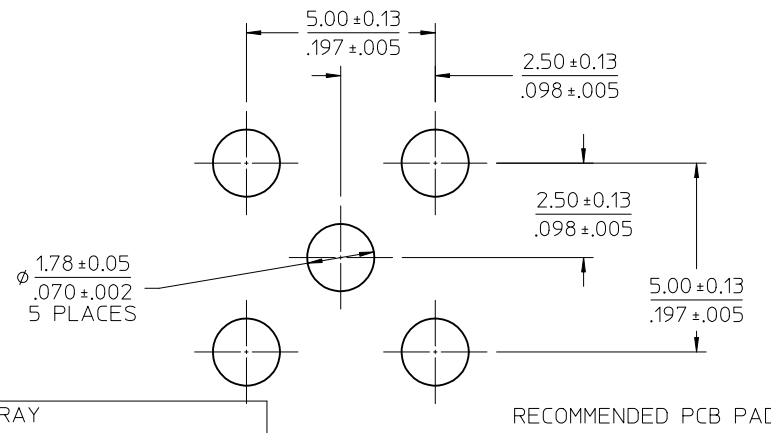
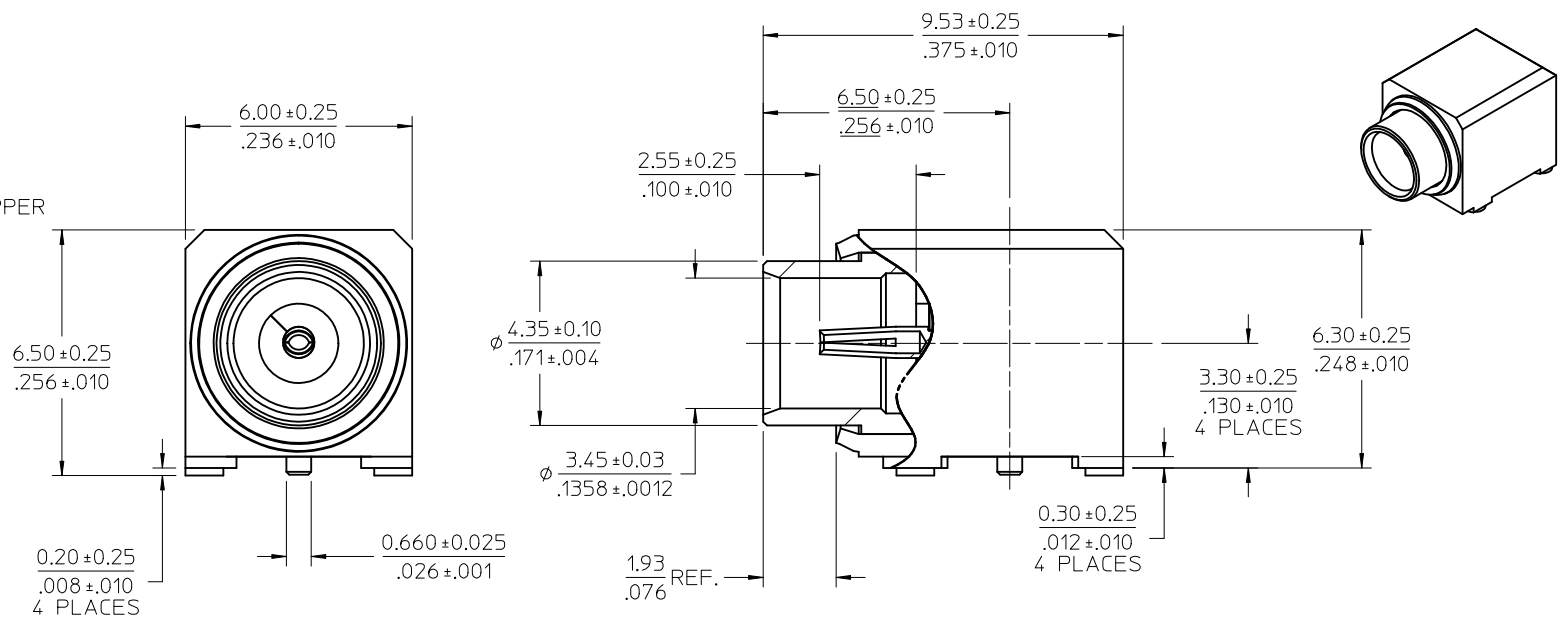
CENTER CONTACT: BERYLLIUM COPPER
PLATED GOLD

INSULATOR
TEFLON & ULTEM

HOUSING
ZINC ALLOY,
PLATED TRI-M OR GOLD

SPECIFICATION
PS-73598-0132

PACKAGING
TRAY OR TAPE AND REEL



73415-4335 (GOLD FLASH)	TRAY
73415-4334 (GOLD FLASH)	TAPE AND REEL
73415-4333 (GOLD PLATING)	TAPE AND REEL
73415-4332 (GOLD PLATING)	TRAY
73415-4331 (Ni/TRI-M)	TAPE AND REEL
73415-4330 (Ni/TRI-M)	TRAY
PART NUMBER	PACKAGING

ADDED P/N: 73415-4334/-4335 PER PDR110912	EC NO: URF2012-0192	DRWNLIN 2011/10/11
CHKD: APPR:MHUANG	2011/10/25	DESCRIPTION
A6		

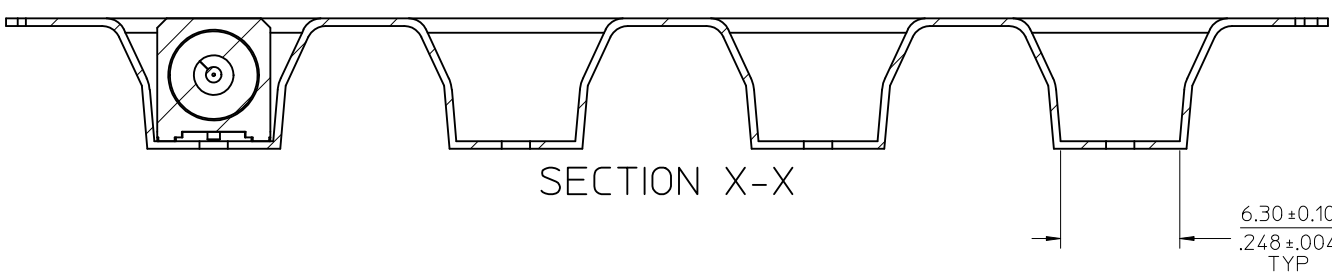
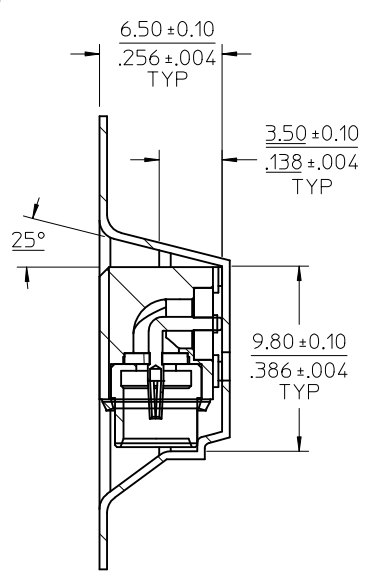
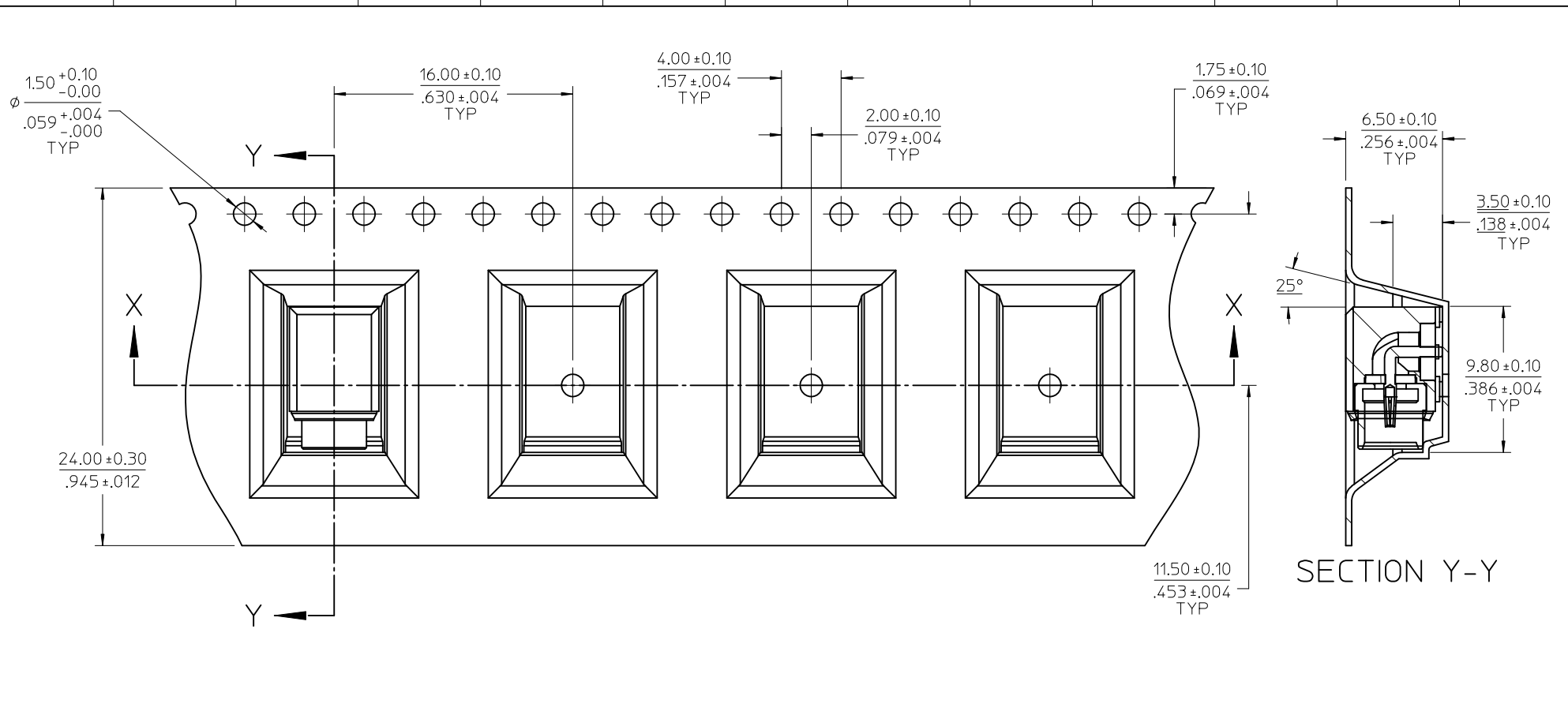
QUALITY SYMBOLS	GENERAL TOLERANCES (UNLESS SPECIFIED)
▽=0	mm INCH
▽=0	4 PLACES ± --- ± ---
	3 PLACES ± --- ± ---
	2 PLACES ± --- ± ---
	1 PLACE ± --- ± ---
	ANGULAR ± 2 °

DRAWN BY	DATE
SSS	2004/04/30
CHECKED BY	DATE
TEF	2004/04/30
APPROVED BY	DATE
SSS	2004/04/30
MATERIAL NO.	DOCUMENT NO.
SEE TABLE	SD-73415-433

DIMENSION STYLE	SCALE	DESIGN UNITS	THIRD ANGLE PROJECTION
MM/IN		METRIC	
TITLE	MCOLEX INCORPORATED		
SD-73415-433			

MCOLEX INCORPORATED		SHEET NO.
SD-73415-433		1 OF 2
THIS DRAWING CONTAINS INFORMATION THAT IS PROPRIETARY TO MOLEX INCORPORATED AND SHOULD NOT BE USED WITHOUT WRITTEN PERMISSION		

13 12 11 10 9 8 7 6 5 4 3 2 1



SECTION X-X

SECTION Y-Y

CHG: SEE SHEET 1 EC NO: URF2012-0192 DRWNLN: 2011/10/11 CHKD: APPR: MHIUANG 2011/10/25 DESCRIPTION	QUALITY SYMBOLS	GENERAL TOLERANCES (UNLESS SPECIFIED)	DIMENSION STYLE	SCALE	DESIGN UNITS	THIRD ANGLE PROJECTION
	$\nabla=0$ $\nabla=0$	mm INCH	MM/IN	METRIC	DRAWN BY DATE SSS 2004/04/30 CHECKED BY DATE TEF 2004/04/30 APPROVED BY DATE SSS 2004/04/30	TITLE MCX JACK, R/A SMT TYPE 75 OHMS MCX-J/RA/PCB
	4 PLACES \pm --- \pm --- 3 PLACES \pm --- \pm --- 2 PLACES \pm --- \pm --- 1 PLACE \pm --- \pm --- ANGULAR $\pm 2^\circ$	MATERIAL NO. SEE TABLE	DOCUMENT NO. SD-73415-433	SHEET NO. 2 OF 2		
	DRAFT WHERE APPLICABLE MUST REMAIN WITHIN DIMENSIONS	THIS DRAWING CONTAINS INFORMATION THAT IS PROPRIETARY TO MOLEX INCORPORATED AND SHOULD NOT BE USED WITHOUT WRITTEN PERMISSION				