

Customer Information Sheet

DRAWING No.: M50-361XX42R

IF IN DOUBT - ASK

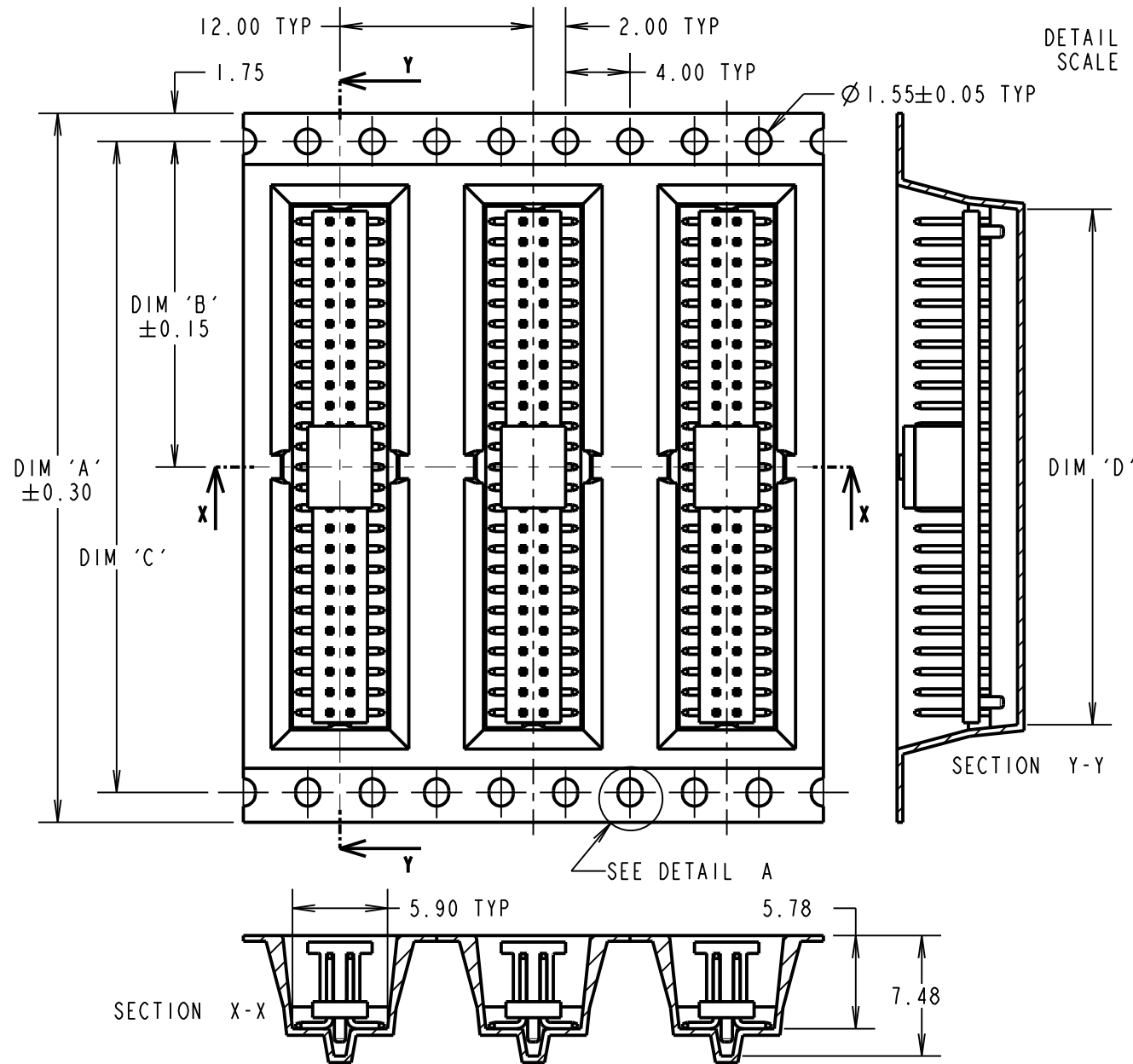
©

NOT TO SCALE

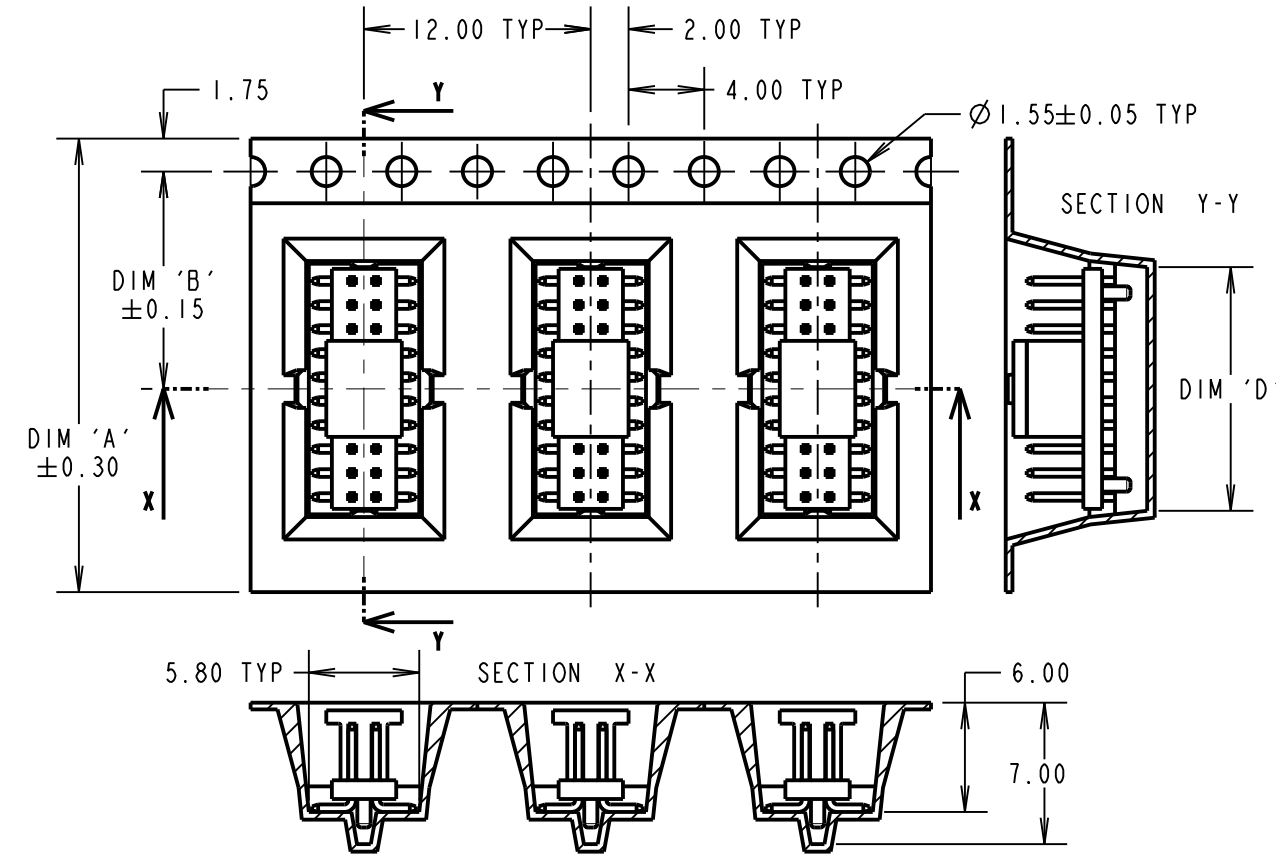
THIRD ANGLE PROJECTION

ALL DIMENSIONS IN mm

TAPE DETAILS FOR 20 & 25 WAYS



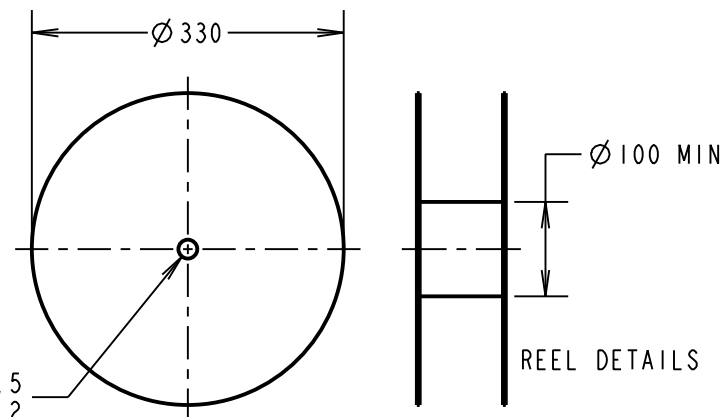
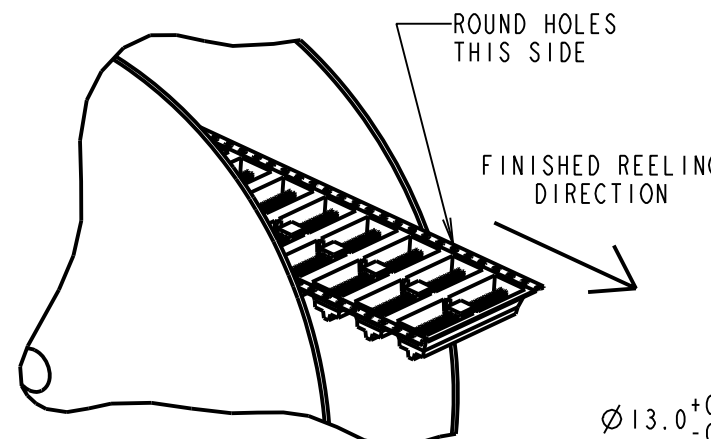
TAPE DETAILS FOR 05, 06, 07, 08 & 10 WAYS



ORDER CODE:
M50-361XX42R
 No. OF CONTACTS PER ROW: _____
 05, 06, 07, 08, 10, 20, 25
 FINISH: _____
 42 = SELECTIVE GOLD & 100% TIN OVER NICKEL

REELED PART No.	DIM 'A'	DIM 'B'	DIM 'C'	DIM 'D'	REEL QTY
M50-3610542R	16.00	7.50	N/A	6.67	700
M50-3610642R				7.94	
M50-3610742R	24.00	11.50		9.21	
M50-3610842R				10.48	
M50-3611042R				13.02	
M50-3612042R	44.00	20.20	40.40	25.72	
M50-3612542R	56.00	26.20	52.40	32.07	

- NOTES:
- CUMULATIVE TOLERANCES OVER 10 PITCHES = ±0.20mm
 - TAPE & REELING IS IN GENERAL ACCORDANCE WITH EIA-481 (ELECTRONIC INDUSTRIES ASSOCIATION).
 - FOR CONNECTOR DETAILS SEE SHEET 4.



MGP	4	25.11.21	31219
NAME	ISS.	DATE	CN/CO
APPROVED: MGP			
CHECKED: MR			
DRAWN: M. PERREN			
CUSTOMER REF.:			
ASSEMBLY DRG:			

<p>www.harwin.com technical@harwin.com</p>	<p>THIS DRAWING AND ANY INFORMATION OR DESCRIPTIVE MATTER SET OUT HEREON ARE CONFIDENTIAL AND COPYRIGHT PROPERTY OF THE HARWIN GROUP AND MUST NOT BE DISCLOSED, LOANED, COPIED OR USED FOR MANUFACTURING, TENDERING OR FOR ANY OTHER PURPOSE WITHOUT THEIR WRITTEN PERMISSION.</p>	<p>TOLERANCES</p> <p>X. = ±1mm X.X = ±0.50mm X.XX = ±0.20mm X.XXX = ±0.01mm</p> <p>ANGLES = ±5° UNLESS STATED</p>	<p>MATERIAL:</p> <p>SEE ABOVE</p> <p>FINISH: SEE ABOVE</p> <p>S/AREA: mm²</p>	<p>TITLE:</p> <p>1.27mm PITCH DIL SMT VERT LOW PROFILE SOCKET ASSY WITH LOCATING PEGS (TAPE & REEL)</p> <p>DRAWING NUMBER:</p> <p>M50-361XX42R</p>	<p>SHT</p> <p>3 OF 4</p>
--	--	---	--	---	--------------------------

Customer Information Sheet

DRAWING No.: M50-361XX42R

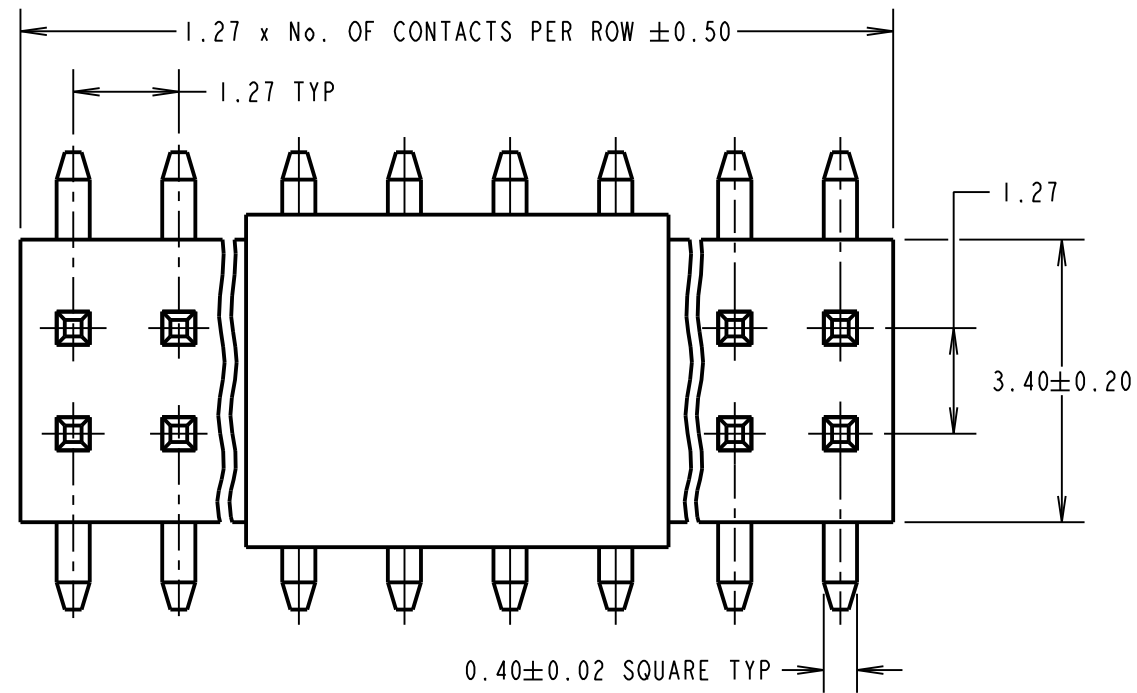
IF IN DOUBT - ASK

©

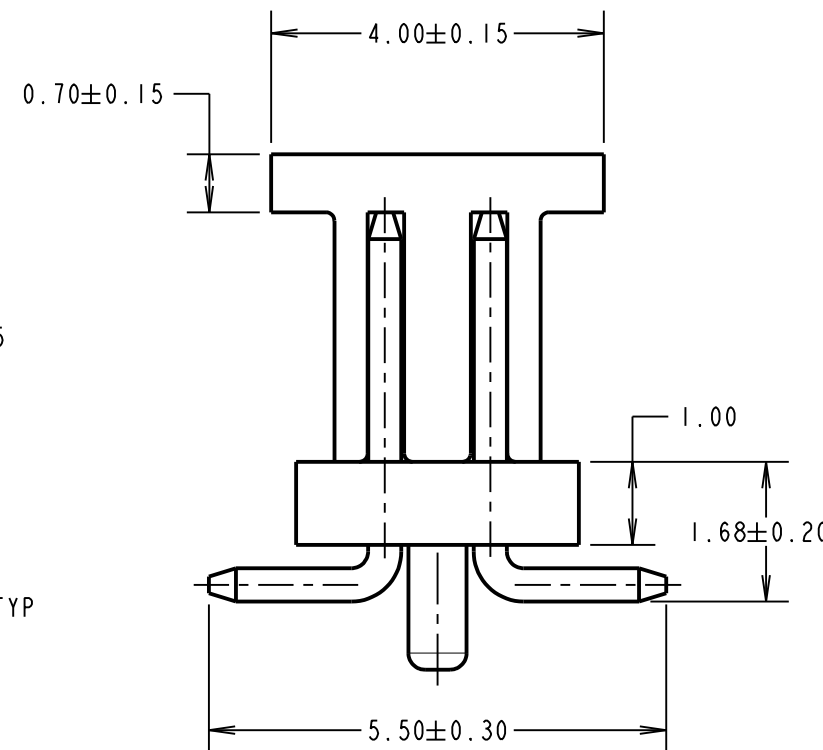
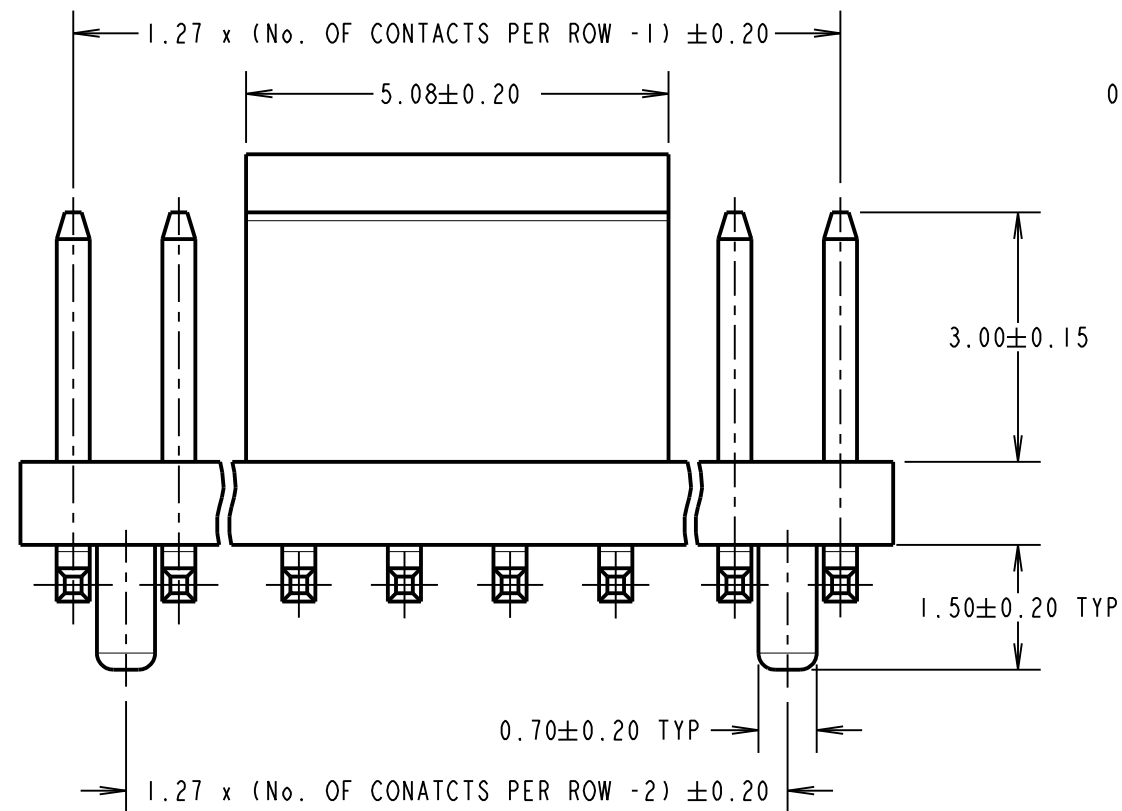
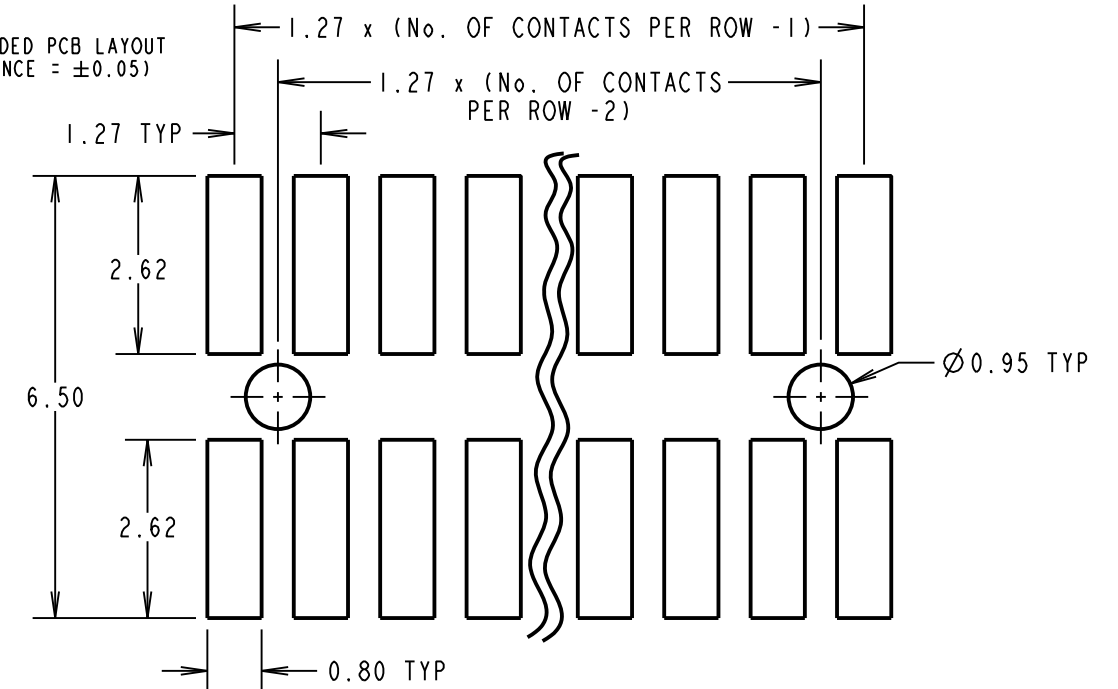
NOT TO SCALE

THIRD ANGLE PROJECTION

ALL DIMENSIONS IN mm



RECOMMENDED PCB LAYOUT
(TOLERANCE = ± 0.05)



SPECIFICATIONS:

MATERIAL:

MOULDING = HIGH TEMP THERMOPLASTIC,
UL94V-0, BLACK

CONTACTS = BRASS

FINISH:

CONTACTS = 0.76 TO 2.03 μm NICKEL ALL OVER,
0.02 TO 0.08 μm GOLD ON CONTACT AREA,
2.03 TO 5.08 μm 100% TIN ON TAILS

ELECTRICAL:

CURRENT RATING = 1A

CONTACT RESISTANCE = 20m Ω MAX

INSULATION RESISTANCE = 1000M Ω MIN

DIELECTRIC WITHSTANDING = 500V AC FOR
ONE MINUTE

VOLTAGE RATING = 250V AC/DC

MECHANICAL:

DURABILITY = 300 CYCLES MIN

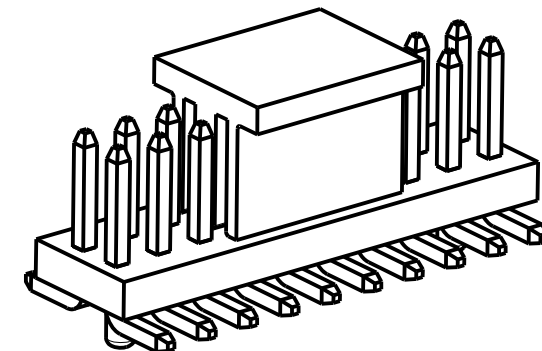
ENVIRONMENTAL:

TEMPERATURE RANGE = -55°C TO +105°C

PACKING:

BOX

FOR COMPLETE SPECIFICATION, SEE COMPONENT
SPECIFICATION C029XX (LATEST ISSUE)



MGP	4	25.11.21	31219
NAME	ISS.	DATE	CN/CO
APPROVED: MGP			
CHECKED: MR			
DRAWN: M. PERREN			
CUSTOMER REF.:			
ASSEMBLY DRG:			

ORDER CODE:

M50-361XX42R

No. OF CONTACTS PER ROW: _____
05, 06, 07, 08, 10, 20, 25

FINISH: _____
42 = SELECTIVE GOLD & 100% TIN OVER NICKEL

NOTES:

- CO-PLANARITY OF TAILS = 0.15mm.
- FOR TAPE AND REEL DETAILS, SEE SHEET 3.

HARWIN

www.harwin.com
technical@harwin.com

THIS DRAWING AND ANY INFORMATION OR DESCRIPTIVE MATTER SET OUT HEREON ARE CONFIDENTIAL AND COPYRIGHT PROPERTY OF THE HARWIN GROUP AND MUST NOT BE DISCLOSED, LOANED, COPIED OR USED FOR MANUFACTURING, TENDERING OR FOR ANY OTHER PURPOSE WITHOUT THEIR WRITTEN PERMISSION.

TOLERANCES

X. = ± 1 mm
X.X = ± 0.50 mm
X.XX = ± 0.20 mm
X.XXX = ± 0.01 mm
ANGLES = $\pm 5^\circ$
UNLESS STATED

MATERIAL:

SEE ABOVE

FINISH: SEE ABOVE

S/AREA:

mm²

TITLE: 1.27mm PITCH DIL SMT VERT
LOW PROFILE SOCKET ASSY WITH
LOCATING PEGS (TAPE & REEL)

DRAWING NUMBER:

M50-361XX42R

SHT
4
OF
4