

Customer Information Sheet

DRAWING No.: M22-221XX46

SHEET 2 OF 2

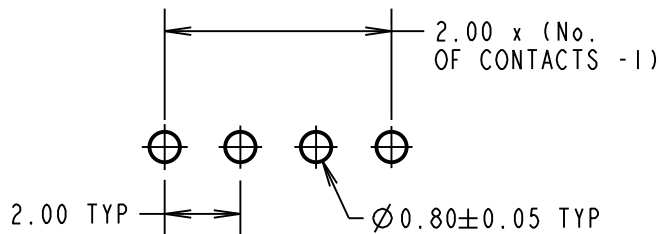
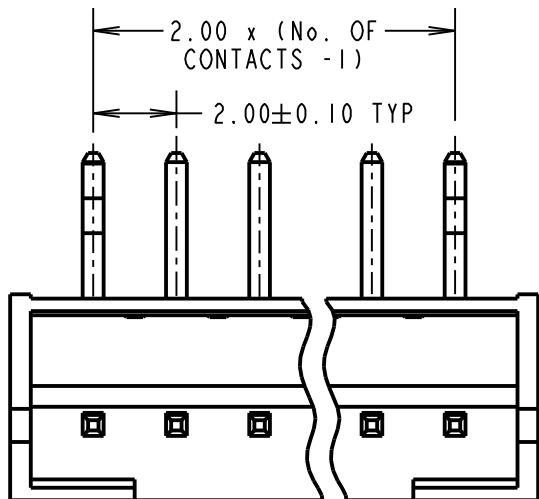
IF IN DOUBT - ASK

©

NOT TO SCALE

THIRD ANGLE PROJECTION

ALL DIMENSIONS IN mm



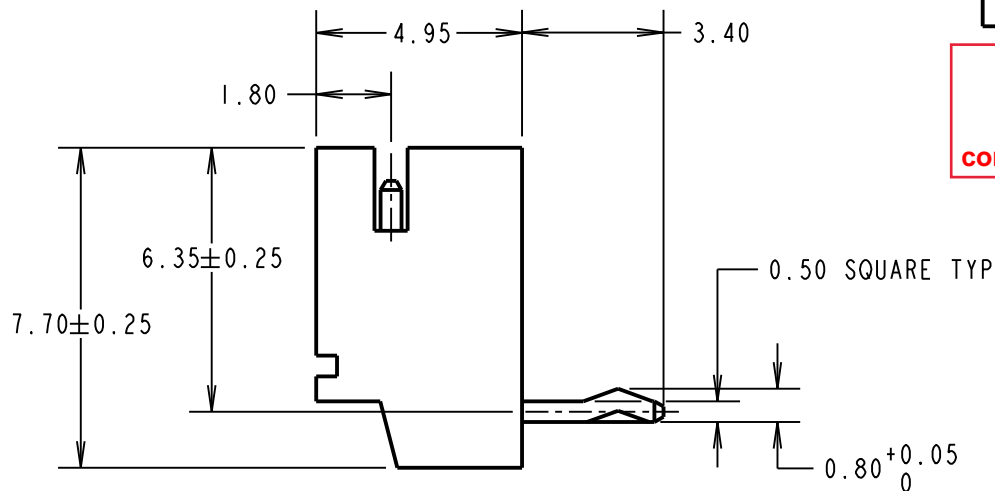
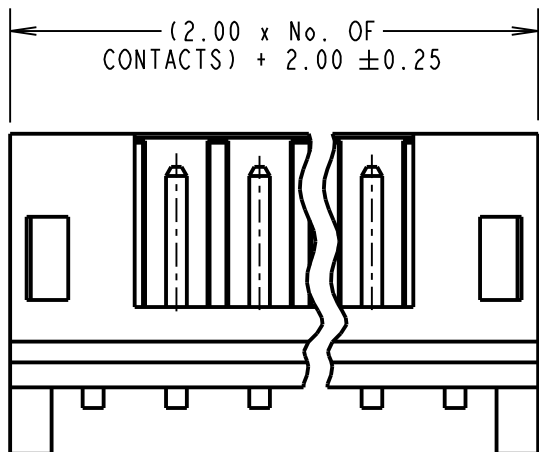
RECOMMENDED PCB LAYOUT

SPECIFICATIONS:
MATERIAL:
 MOULDING = NYLON 9T, UL94V-0
 CONTACTS = BRASS
FINISH:
 CONTACTS = 100% TIN
ELECTRICAL:
 CURRENT RATING = 2A
 VOLTAGE RATING = 100V AC/DC
 DIELECTRIC STRENGTH = 800 AC/MINUTE
 INSULATION RESISTANCE = 1,000 MEGOHMS MIN
ENVIRONMENTAL:
 TEMPERATURE RANGE = -25°C TO +85°C
 FOR COMPLETE SPECIFICATION, SEE COMPONENT SPECIFICATION C018XX (LATEST ISSUE)

NOTES:
 1. ALL TOLERANCES ARE ± 0.20 UNLESS OTHERWISE STATED.

Active products:
M22-2210246
M22-2210846

ORDER CODE:
M22-221XX46
 No. OF CONTACTS: 2 TO 8



OBSOLETE
 All other size/finish combinations not listed above

MSP	7	02.06.15	12803
NAME	ISS.	DATE	C/NOTE
APPROVED: M.PERREN			
CHECKED: S.BENNETT			
DRAWN: A. FILLINGHAM			
CUSTOMER REF.:			
ASSEMBLY DRG:			

HARWIN

www.harwin.com
 technical@harwin.com

THIS DRAWING AND ANY INFORMATION OR DESCRIPTIVE MATTER SET OUT HEREON ARE CONFIDENTIAL AND COPYRIGHT PROPERTY OF THE HARWIN GROUP AND MUST NOT BE DISCLOSED, LOANED, COPIED OR USED FOR MANUFACTURING, TENDERING OR FOR ANY OTHER PURPOSE WITHOUT THEIR WRITTEN PERMISSION.

TOLERANCES
~~X = ± 1 mm~~
~~X.X = ± 0.50 mm~~
~~X.XX = ± 0.10 mm~~
~~X.XXX = ± 0.01 mm~~
 ANGLES = $\pm 5^\circ$
 UNLESS STATED

MATERIAL:

SEE ABOVE

FINISH: SEE ABOVE

S/AREA: mm²

TITLE:

2mm HORIZONTAL SHROUDED PIN HEADER

DRAWING NUMBER:

M22-221XX46

SHT
 2 OF 2