

2.5V HCMOS / TTL COMPATIBLE SMD CRYSTAL CLOCK OSCILLATOR

ASFL2



RoHS
Compliant



5.0 x 3.2 x 1.4 mm

FEATURES:

- Tri state function
- Suitable for high density SMT
- Tight stability option $\pm 25\text{ppm}$ $-40 \sim +85^\circ\text{C}$
- Seam sealed package assures high reliability
- Suitable for RoHS compliant reflow

APPLICATIONS:

- CCD clock for VTR camera
- Equipment connected to PC or PC cards
- Thin equipment
- Wireless communication

STANDARD SPECIFICATIONS:

Parameters		Minimum	Typical	Maximum	Units	Notes
Frequency Range		0.321	----	125.00	MHz	
Operating Temperature		-10	----	+70	$^\circ\text{C}$	See options
Storage Temperature		-55	----	+125	$^\circ\text{C}$	
Overall Frequency Stability		-100	----	+100	ppm	See options
Supply Voltage (Vdd)		2.25	2.5	2.75	V	
Input Current	0.321MHz ~ 29.9MHz	----	----	15	mA	
	30MHz ~ 79.9MHz	----	----	45		
	80MHz ~ 125.00MHz	----	----	85		
Symmetry (@ 1/2Vdd)		40	50	60	%	See options
Rise and Fall Time (Tr/Tf)		----	----	200	ns	0.321 ~ 1.0MHz
		----	----	10	ns	1.0 ~ 125MHz
Output Load		----	----	15	pF	
		----	----	5	TTL	
Output Voltage	VOH	$0.9 \cdot V_{dd}$	----	----	V	
	VOL	----	----	$0.1 \cdot V_{dd}$	V	
Tri-state Function	VIH	$0.7 \cdot V_{dd}$	----	----	V	"1" or Open: Oscillation
	VIL	----	----	$0.3 \cdot V_{dd}$	V	"0": Output disable (Hi Z)
Start-up Time		----	----	30	ms	0.321 ~ 1.0MHz
		----	----	10	ms	1.0 ~ 125MHz
Aging		-5.0	----	+5.0	ppm	@+25 $^\circ\text{C}$ First year



2.5V HCMOS / TTL COMPATIBLE SMD CRYSTAL CLOCK OSCILLATOR

ASFL2



RoHS
Compliant



5.0 x 3.2 x 1.4 mm

OPTIONS AND PART IDENTIFICATION: (Left blank if standard)

ASFL2 MHz - -

Frequency in MHz
e.g. 24.576MHz
14.31818MHz
26.000MHz

Packaging
Blank: Bulk
T: 1000pcs/reel
T2: 250pcs/reel

Operating Temp.
I: 0°C ~ +50°C
D: -10°C ~ +60°C
E: -20°C ~ +70°C
F: -30°C ~ +70°C
N: -30°C ~ +85°C
L: -40°C ~ +85°C

Freq. Stability
J: ± 20 ppm(*)
R: ± 25 ppm
K: ± 30 ppm
H: ± 35 ppm
B: ± 40ppm
C: ± 50 ppm

Symmetry
Blank: 40/60% @1/2Vdd
S: 45/55% @1/2Vdd

(*) Temp option I, D, E and -10°C ~ +70°C only.



2.5V HCMOS / TTL COMPATIBLE SMD CRYSTAL CLOCK OSCILLATOR

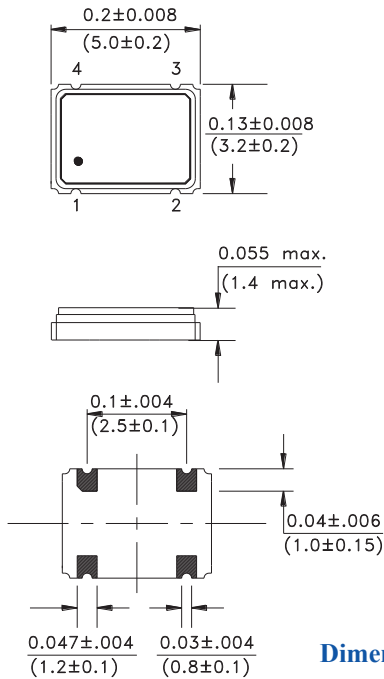


5.0 x 3.2 x 1.4 mm

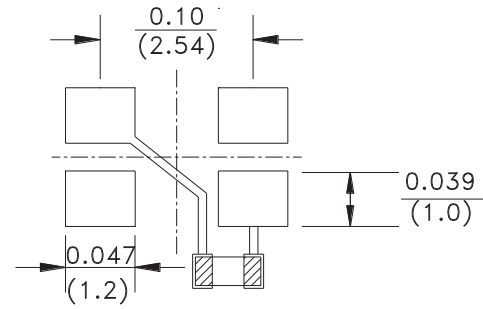
ASFL2



OUTLINE DRAWING:



Recommended land pattern



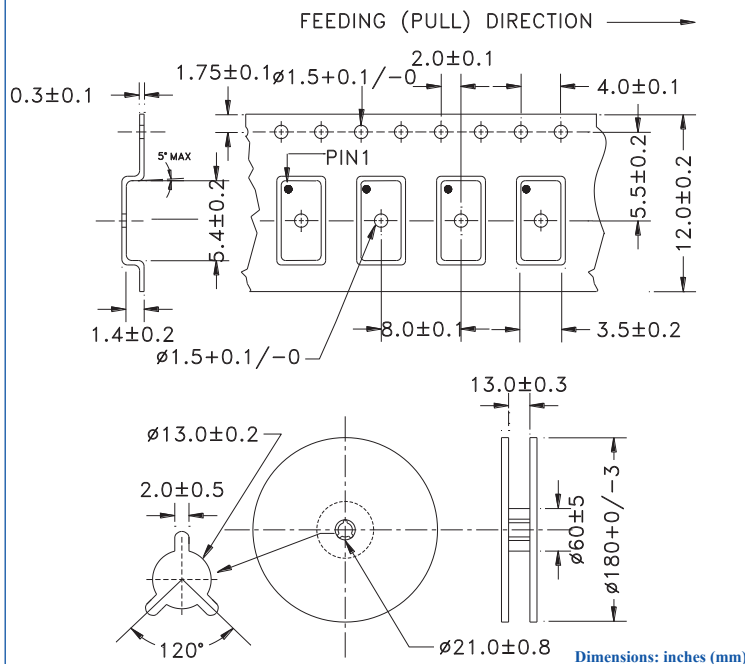
0.01 uF
Note: Recommend using an approximately 0.01uF bypass capacitor between PIN 2 and 4.

Pin	Function
1	Tri-State
2	GND
3	Output
4	Vdd

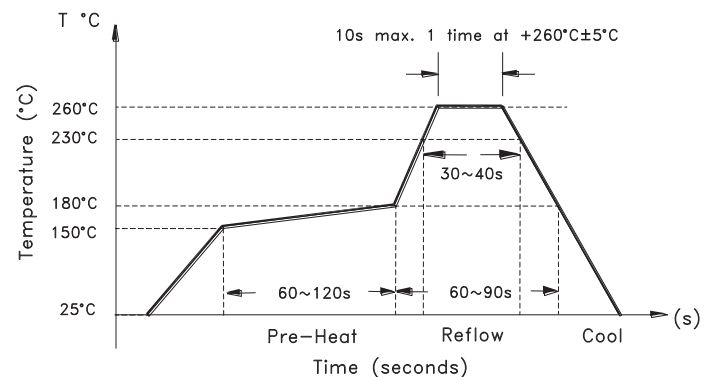
TAPE & REEL:

T= Tape and reel (1,000pcs/reel)

T2= Tape and reel (250pcs/reel)



REFLOW PROFILE



Need a test socket for the ASFL2 Series?
To view compatible **PRECISION TEST**
and BURN-IN SOCKETS for these parts,
[click here.](#)

ATTENTION: Abracon Corporation's products are COTS – Commercial-Off-The-Shelf products; suitable for Commercial, Industrial and, where designated, Automotive Applications. Abracon's products are not specifically designed for Military, Aviation, Aerospace, Life-dependant Medical applications or any application requiring high reliability where component failure could result in loss of life and/or property. For applications requiring high reliability and/or presenting an extreme operating environment, written consent and authorization from Abracon Corporation is required. Please contact Abracon Corporation for more information.

ABRACON IS
ISO 9001 : 2008
CERTIFIED



ABRACON
CORPORATION

Visit www.abracon.com for Terms & Conditions of Sale
30332 Esperanza, Rancho Santa Margarita, California 92688
tel 949-546-8000 | fax 949-546-8001 | www.abracon.com

Revised: 04.04.11