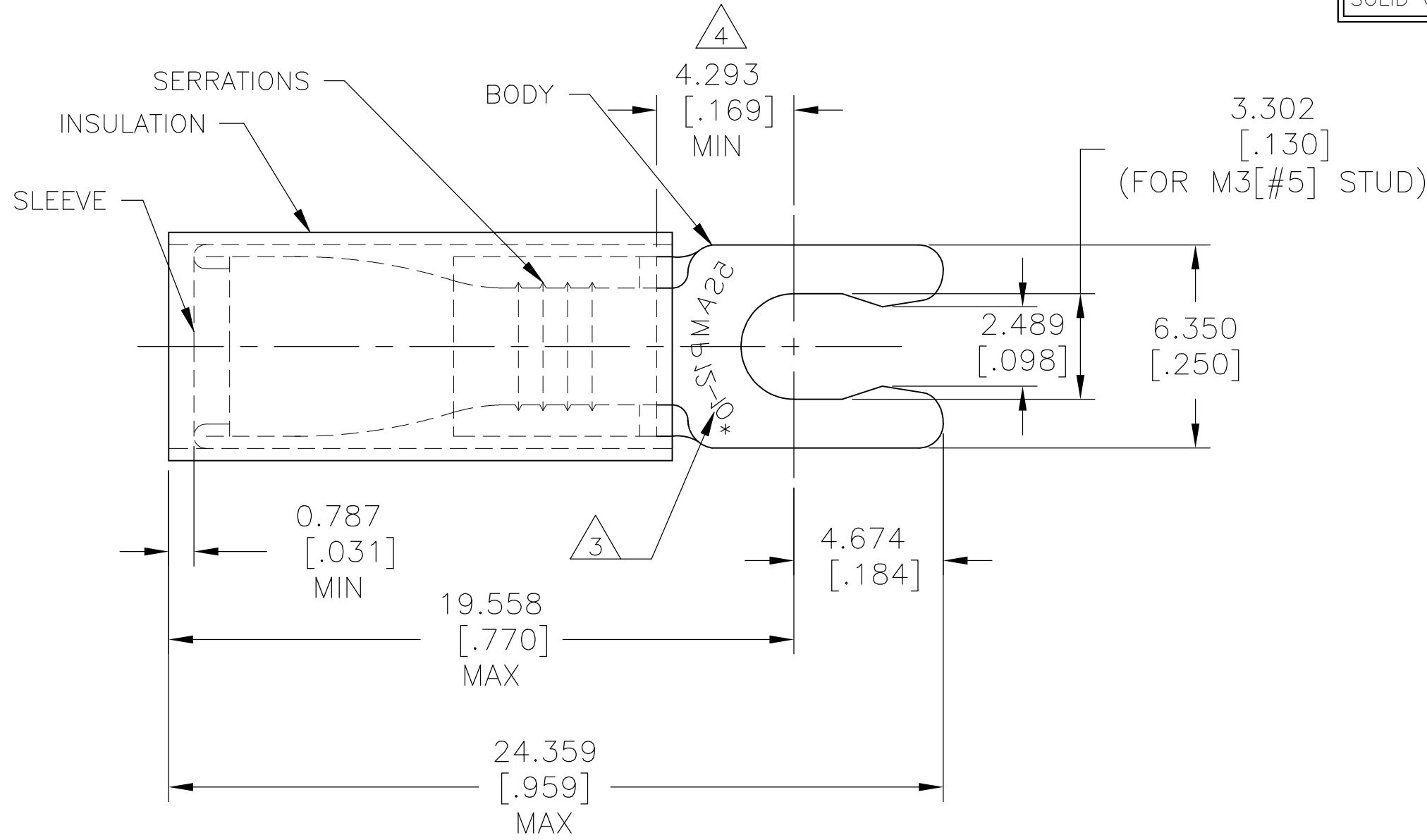


REVISIONS				
P	LTR	DESCRIPTION	DATE	APVD
E1		REVISED PER ECO-17-008114	04JUN2018	RS DR

<b>AMP</b> WIRE RANGE	E13288 Listed	LR7189 Certified
12-10 AWG SOLID OR STRANDED	12-10 AWG SOLID OR STRANDED	12-10 AWG SOLID OR STRANDED



- 1 FOR 3.810 TO 6.350 [.150 TO .250] WIRE INS. DIA
- 2 BODY MATERIAL THK: 0.991±0.051 [.039±.002]
- 3 STAMP 5S AMP 12-10\* APPROX AS SHOWN
- 4 APPLIES FROM EDGE OF METAL WIRE BARREL TO CNTER OF STUD HOLE
- 5 MATERIAL:  
BODY: PHOSPHOR BRONZE PER ASTM B103  
SLEEVE: COPPER PER ASTM B152  
INSULATION: NYLON
- 6 FINISH:  
BODY & SLEEVE: TIN PLATE PER ASTM B545  
INSULATION: COLOR - YELLOW

500	LOOSE PIECE	52940
QTY	PACKAGE TYPE	PART NO

AMP INCORPORATED CUSTOMER SERVICE SYSTEMS		THIS DRAWING IS A CONTROLLED DOCUMENT.		DWN RAVI S 04JUN2018	TE Connectivity Ltd.		
FOR ADDITIONAL PRODUCT INFORMATION OR COPIES OF DRAWINGS AND TECHNICAL DOCUMENTS PRODUCT INFORMATION CENTER 1-800-522-6752		DIMENSIONS: mm [INCHES]		CHK ROHDE DANIEL F 04JUN2018			
FOR APPLICATION TOOLING ASSISTANCE CENTER TOOLING INFORMATION 1-800-722-1111		TOLERANCES UNLESS OTHERWISE SPECIFIED: 0 PLC ± - 1 PLC ± - 2 PLC ± - 3 PLC ± 0.127 [.005] 4 PLC ± - ± 5°		APVD ROHDE DANIEL F 04JUN2018	SIZE A3 CAGE CODE 00779 DRAWING NO C-52940 RESTRICTED TO -		
FOR ORDER ENTRY 1-800-526-5142		MATERIAL 5		FINISH 6			