

THIS DRAWING IS UNPUBLISHED.

RELEASED FOR PUBLICATION

© COPYRIGHT - By -

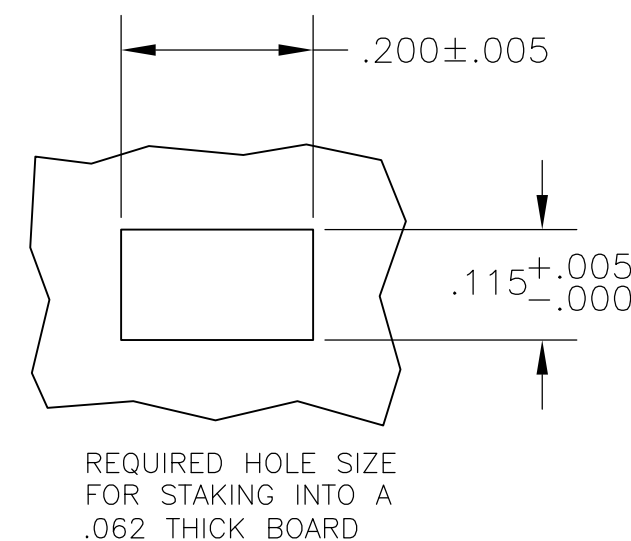
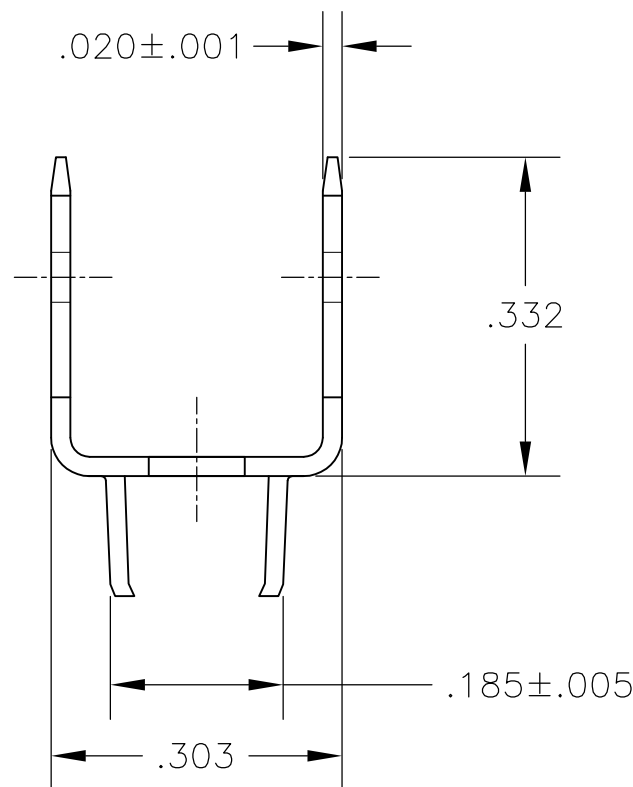
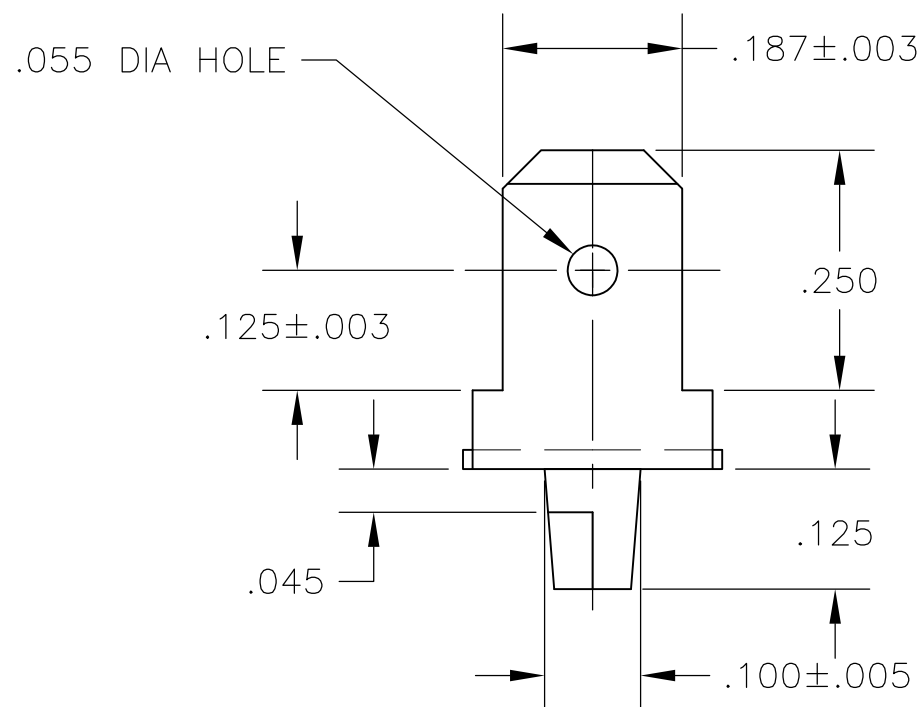
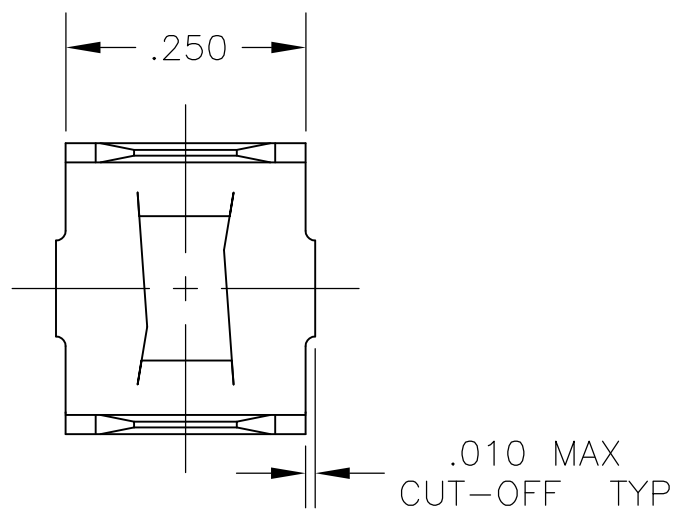
ALL RIGHTS RESERVED.

LOC AF DIST 50



REVISIONS

| P | LTR | DESCRIPTION | DATE | DWN | APVD |
|---|-----|---------------------------|---------|-----|------|
| | C | REVISED PER ECR-13-001204 | 04JUN13 | KH | PD |

- 1 SUPPLIED IN LOOSE PIECE
- 2 .000150 MIN TIN PLATE OVER
.000100 MIN COPPER.



62705-1
PART NO.

| | | | | | | |
|--|--|---|--|--------------|------------|---------------|
| THIS DRAWING IS A CONTROLLED DOCUMENT. | | DWN JR RUTH 15FEB02 |  TE Connectivity | | | |
| DIMENSIONS: INCHES | | CHK MS FEHER 15FEB02 | | | | |
| TOLERANCES UNLESS OTHERWISE SPECIFIED: | | APVD N DEIBERT 15FEB02 | NAME | | | |
| 0 PLC ± - 1 PLC ± - 2 PLC ± - 3 PLC ± .015 4 PLC ± - ANGLES ± - | | PRODUCT SPEC | TAB, FASTON, DUAL, STAKE, .187 SERIES | | | |
| MATERIAL BRASS | | FINISH | SIZE | CAGE CODE | DRAWING NO | RESTRICTED TO |
| | |  | A3 | 00779 | C-62705 | - |
| CUSTOMER DRAWING | | | SCALE 5:1 | SHEET 1 OF 1 | REV C | |