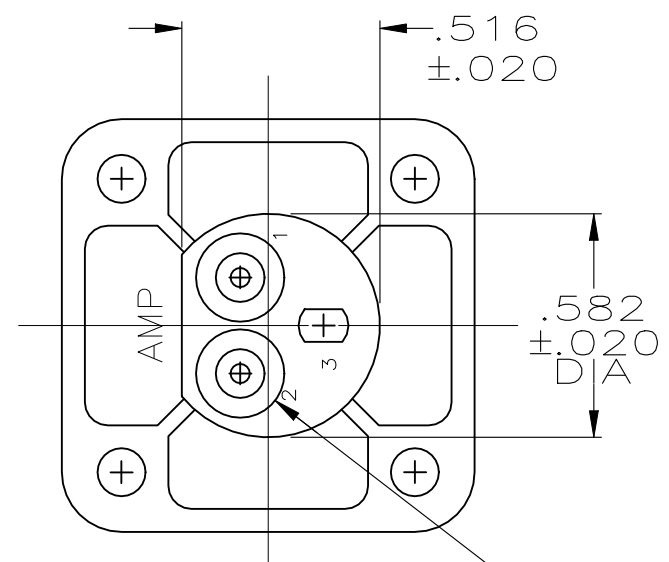
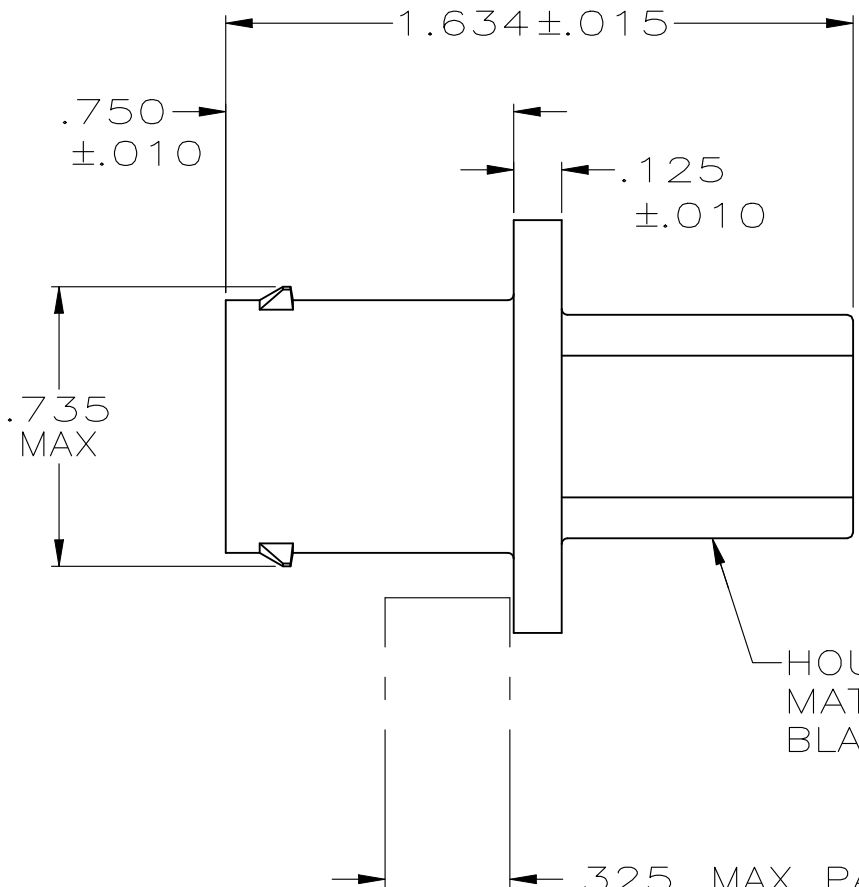
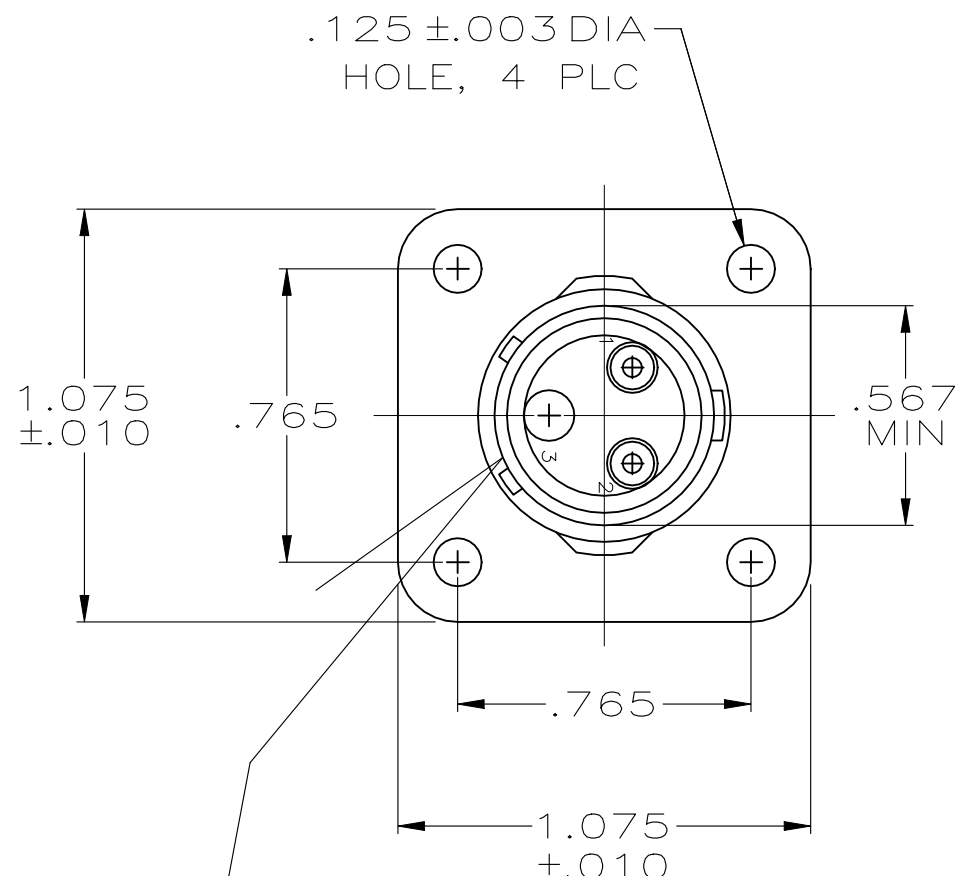


| REVISIONS |     |                     |           |     |      |
|-----------|-----|---------------------|-----------|-----|------|
| P         | LTR | DESCRIPTION         | DATE      | DWN | APVD |
|           | G   | PER PCN E-20-018081 | 10MAR2021 | SCK |      |

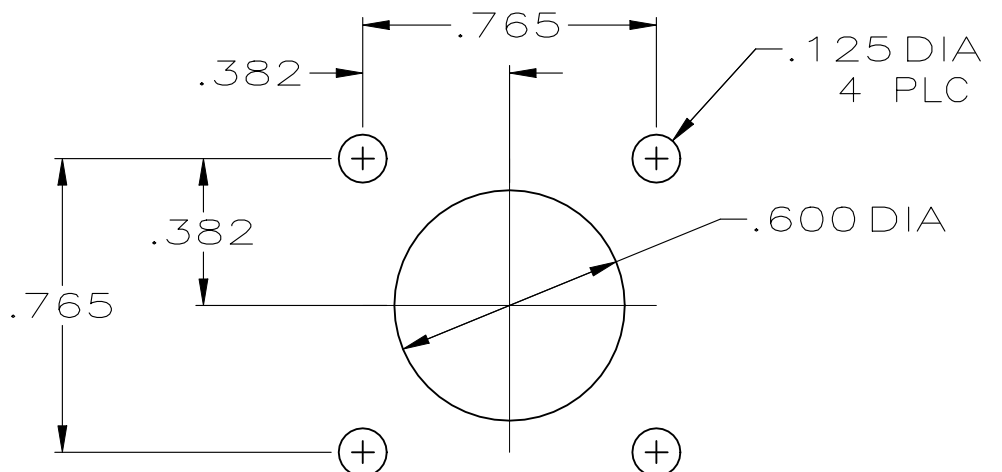


HOUSING MATERIAL: THERMOPLASTIC BLACK

DISCRETE WIRE SEALS (2) MATERIAL: ELASTOMER BLACK

PERIPHERAL SEAL MATERIAL: ELASTOMER BLACK

1. WIRE INSULATION SEALING RANGE .070-.130 DIA.
2. THIN MEMBRANE PERMISSIBLE ON SMALL DIAMETER OF WIRE SEALS.
3. ROTATION OF CAVITY CIRCUIT KEY FROM PART TO PART IS PERMISSIBLE.



RECOMMENDED PANEL CUTOUT

|             |
|-------------|
| 207853-1    |
| PART NUMBER |

|  |  |                  |          |            |  |
|--|--|------------------|----------|------------|--|
| THIS DRAWING IS A CONTROLLED DOCUMENT. |  | DWN              | 8-21-90  |            | <b>STE</b> TE Connectivity   |
|  |  | J GALLUCCI       | BG       |            |  |
| DIMENSIONS: INCHES                     |  | CHK              |          |            | NAME   |
| TOLERANCES UNLESS OTHERWISE SPECIFIED: |  | APVD             |          |            |  |
| 0 PLC ± -                              |  | PRODUCT SPEC     |          |            | ECONOSEAL, SQUARE FLANGE RECEPTACLE, SHELL SIZE 10, 2 POSITION, PIN CONTACTS |
| 1 PLC ± -                              |  | APPLICATION SPEC |          |            |  |
| 2 PLC ± -                              |  | WEIGHT           | 0.000000 |            | SIZE   |
| 3 PLC ± .005                           |  | FINISH           | -        |            | CAGE CODE  |
| 4 PLC ± -                              |  |                  |          |            | A300779  |
| ANGLES ± -                             |  | CUSTOMER DRAWING |          | DRAWING NO | RESTRICTED TO  |
| MATERIAL SEE CALLOUT                   |  | SCALE            |          | 2:1        | SHEET  |
|  |  | SHEET            |          | 1 OF 1     | REV  |
|  |  | REV              |          | G          |  |