

THIS DRAWING IS UNPUBLISHED.

RELEASED FOR PUBLICATION

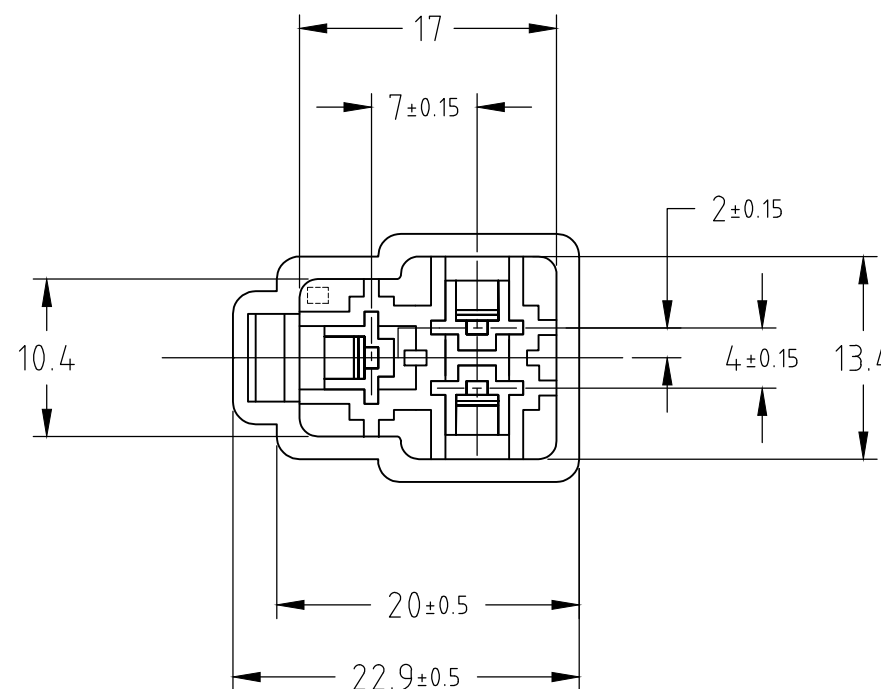
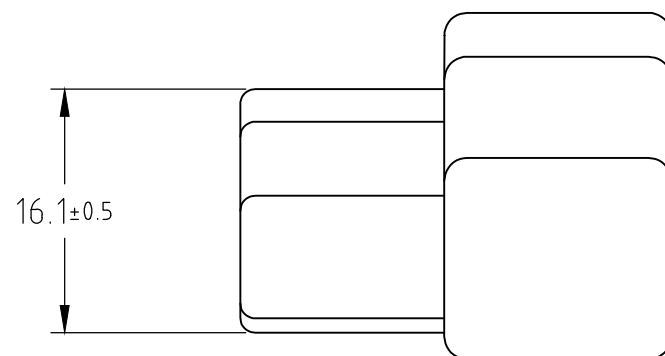
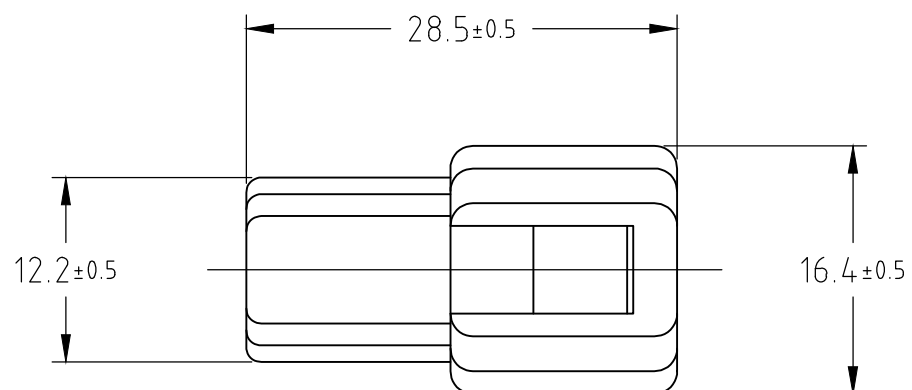
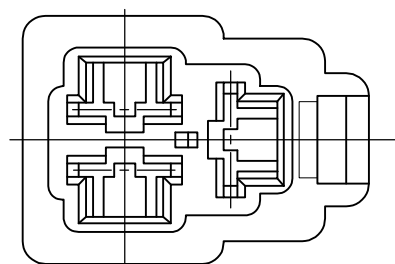
ALL RIGHTS RESERVED.

© COPYRIGHT - By -

REVISIONS

変更

P	LTR	DESCRIPTION	DATE	DWN	APVD
	E5	REVISED PER ECR-19-018127	10AUG20	AA	EW




		△4	NATURAL	1-172131-1
△5	OBSOLETE		LIGHT GRAY	6-172131-6
	OBSOLETE		RED	-9
△5	OBSOLETE		ORANGE	-8
	OBSOLETE		YELLOW	-7
			GRAY	-6
			BLUE	-5
	OBSOLETE		GREEN	-4
△5	OBSOLETE		BROWN	-3
			BLACK	-2
		△3	NATURAL	172131-1
		△3	材料 MATERIAL	色調 COLOR
				型番 PART NUMBER

注記

- 1. かん合する相手ハウジングは型番172132
- 2. 使用端子は型番170340,170341,170349
- △3 材料：6/6ナイロン（UL94V-2）
- △4 材料：6/6ナイロン（UL94V-0）

NOTES

- 1. THE MATING PLUG HOUSING P/N : 172132
- 2. APPLIED CONTACT P/N : 170340,170341,170349
- △3 MATERIAL : 6/6NYLON (UL94V-2)
- △4 MATERIAL : 6/6NYLON (UL94V-0)
- △5 OBSOLETE PARTS: OBSOLETE CIS STREAMLINING PER D.RENAUD/D.SINISI

THIS DRAWING IS A CONTROLLED DOCUMENT.		DWN J.SATO 14OCT2008	 TE Connectivity					
DIMENSIONS: 単位： 耗 mm		CHK S.MANABE 14OCT2008				NAME 名称 250 SERIES HOUSING LANCE CONNECTOR 3POS CAP HOUSING		
TOLERANCES UNLESS OTHERWISE SPECIFIED: 一般公差		APVD S.MANABE 14OCT2008						
0 PLC ± 0.2 1 PLC ± 0.25 2 PLC ± 0.3 3 PLC ± 4 PLC ± ANGLES ± 3°		PRODUCT SPEC 製品規格				SIZE A3	CAGE CODE 00779	DRAWING NO 番号 C-172131
MATERIAL 材料 SEE NOTE		FINISH 仕上	WEIGHT		SCALE 尺度 2:1	SHEET 1 OF 1	REV E5	
CUSTOMER DRAWING								