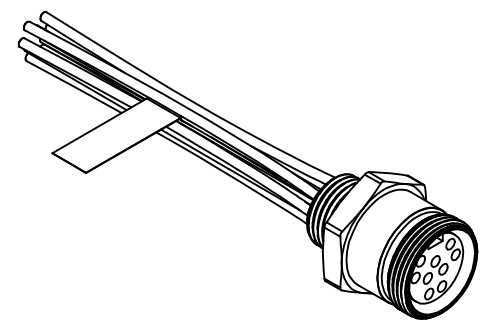
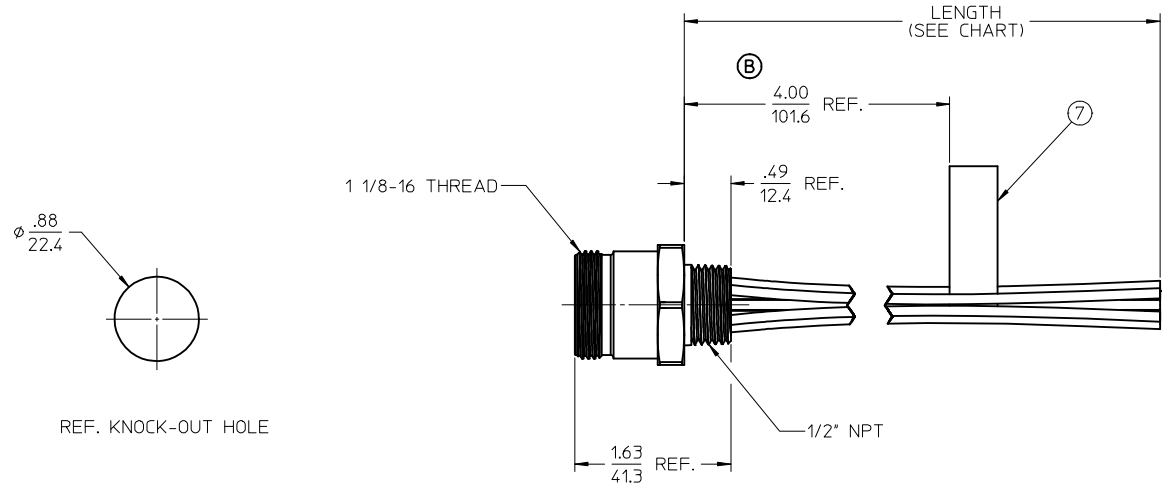
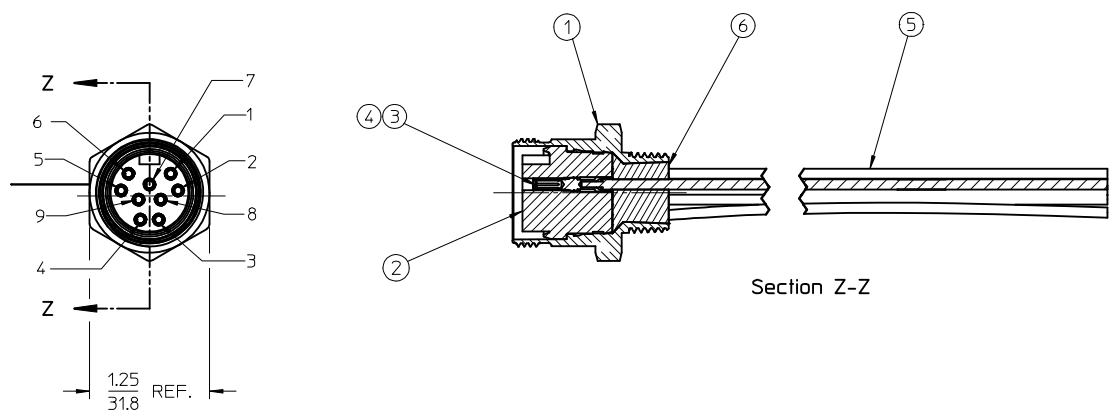


MATERIAL NO.	ENGINEERING NO.	LENGTH
1300150117	3R9004A20A120	12' +.75-0 [305mm +19.0-0]
1300150121	3R9004A20F030	3'0" +1.75-0 [ .9M +44.5-0]
1300150124	3R9004A20F060	6'0" +2.19-0 [ 1.8M +55.6-0]



- NOTES:
1. MATERIAL: SEE TABLE
  2. FINISHES: SEE TABLE
  3. MATES WITH: NONE
  4. ELECTRICAL SPECIFICATIONS:  
VOLTAGE RATING: 600V AC/DC  
CURRENT RATING: 7 AMPS
  5. RoHS COMPLIANT



1	ORANGE
2	BLUE
3	RED-BLACK
4	GREEN-BLACK
5	WHITE
6	RED
7	GREEN-YELLOW
8	WHITE-BLACK
9	BLACK

WIRING DIAGRAM

ITEM	QTY.	DESCRIPTION	MATERIAL	FINISH
7	1	LABEL	PLASTIC FILM	BLACK/YELLOW
6	1	POTTING	EPOXY	
5	9	WIRE, 16 AWG (UL 1015)	PVC INSULATED	SEE WIRE DIAGRAM
4	9	SOCKET SLEEVE	ST. STEEL	
3	9	CONTACT SOCKET	BRASS	GOLD PLATED
2	1	INSERT	PVC	YELLOW
1	1	RECEPTACLE SHELL	ZINC ALLOY	E-COAT, BLACK

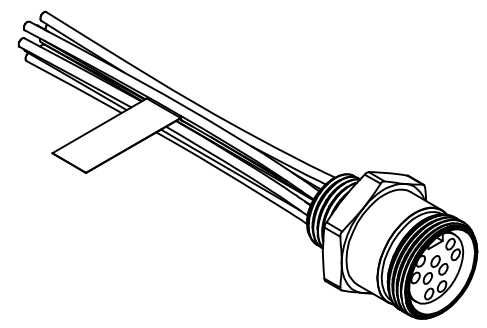
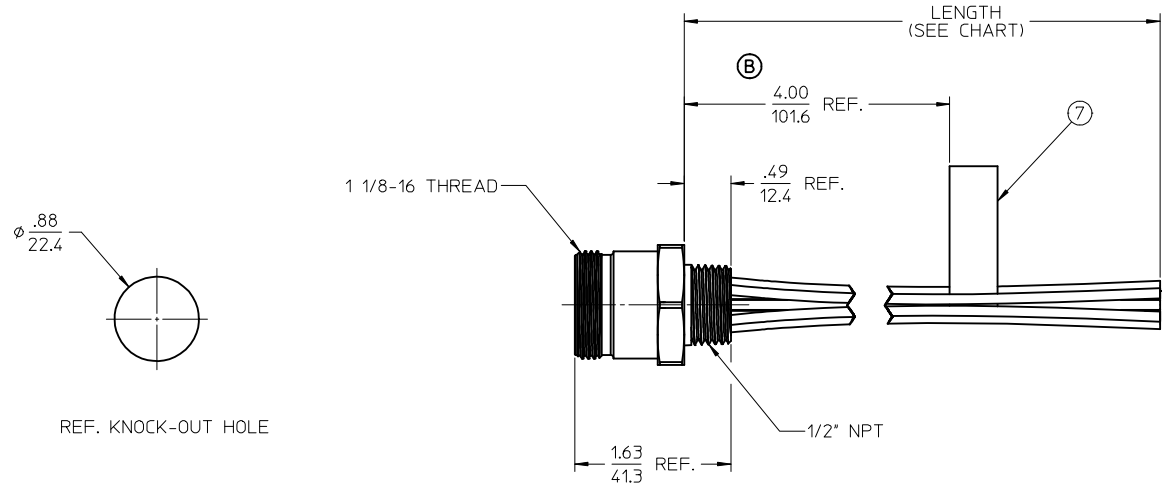
WAS 3.00	EC NO: MNA2010-0101	DRWNR: STONE	2009/08/17
	CHKD: B. WOODMAN	APPR: J. MURPHY	2009/08/21
REV	DESCRIPTION		

QUALITY SYMBOLS	GENERAL TOLERANCES (UNLESS SPECIFIED)	
	mm	INCH
▽=0	4 PLACES ± .005	± .005
▽=0	3 PLACES ± .005	± .005
	2 PLACES ± .005	± .01
	1 PLACE ± 0.3	± .005
	ANGULAR ± 1/2°	

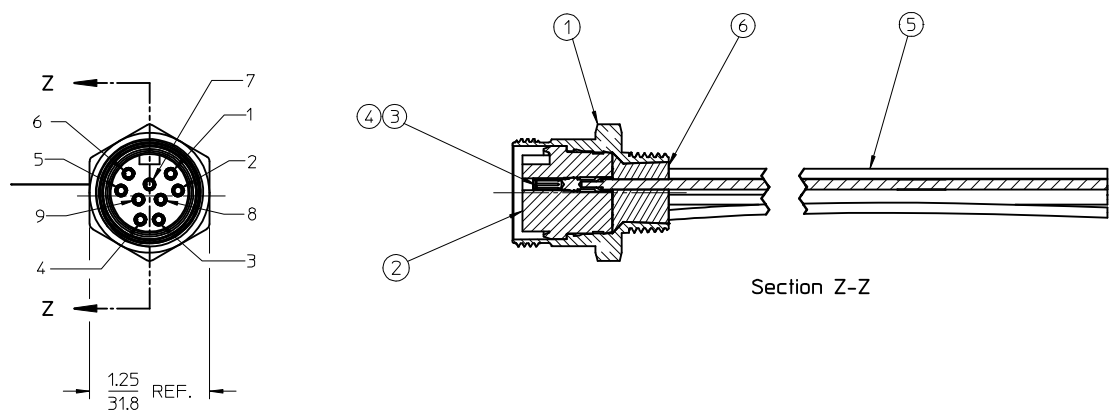
DIMENSION STYLE		SCALE	DESIGN UNITS	THIRD ANGLE PROJECTION
IN/MM		1:1	INCH	
DRAWN BY	DATE	TITLE		
R. STONE	2009/03/26	MC RECEPTACLE, FEMALE 9 POLE, 1/2" NPT		
CHECKED BY	DATE	MATERIAL NO.		
B. WOODMAN	2009/03/27	SEE CHART		
APPROVED BY	DATE	DOCUMENT NO.		
J. MURPHY	2009/03/31	SD-130015-002		
SIZE	THIS DRAWING CONTAINS INFORMATION THAT IS PROPRIETARY TO MOLEX INCORPORATED AND SHOULD NOT BE USED WITHOUT WRITTEN PERMISSION			

MATERIAL NO.		DOCUMENT NO.		SHEET NO.
SEE CHART		SD-130015-002		1 OF 1

MATERIAL NO.	ENGINEERING NO.	LENGTH
1300150117	3R9004A20A120	12' +.75-0 [305mm +19.0-0]
1300150121	3R9004A20F030	3'0" +1.75-0 [ .9M +44.5-0]
1300150124	3R9004A20F060	6'0" +2.19-0 [ 1.8M +55.6-0]



- NOTES:
1. MATERIAL: SEE TABLE
  2. FINISHES: SEE TABLE
  3. MATES WITH: NONE
  4. ELECTRICAL SPECIFICATIONS:  
VOLTAGE RATING: 600V AC/DC  
CURRENT RATING: 7 AMPS
  5. RoHS COMPLIANT



1	ORANGE
2	BLUE
3	RED-BLACK
4	GREEN-BLACK
5	WHITE
6	RED
7	GREEN-YELLOW
8	WHITE-BLACK
9	BLACK

WIRING DIAGRAM

ITEM	QTY.	DESCRIPTION	MATERIAL	FINISH
7	1	LABEL	PLASTIC FILM	BLACK/YELLOW
6	1	POTTING	EPOXY	
5	9	WIRE, 16 AWG (UL 1015)	PVC INSULATED	SEE WIRE DIAGRAM
4	9	SOCKET SLEEVE	ST. STEEL	
3	9	CONTACT SOCKET	BRASS	GOLD PLATED
2	1	INSERT	PVC	YELLOW
1	1	RECEPTACLE SHELL	ZINC ALLOY	E-COAT, BLACK

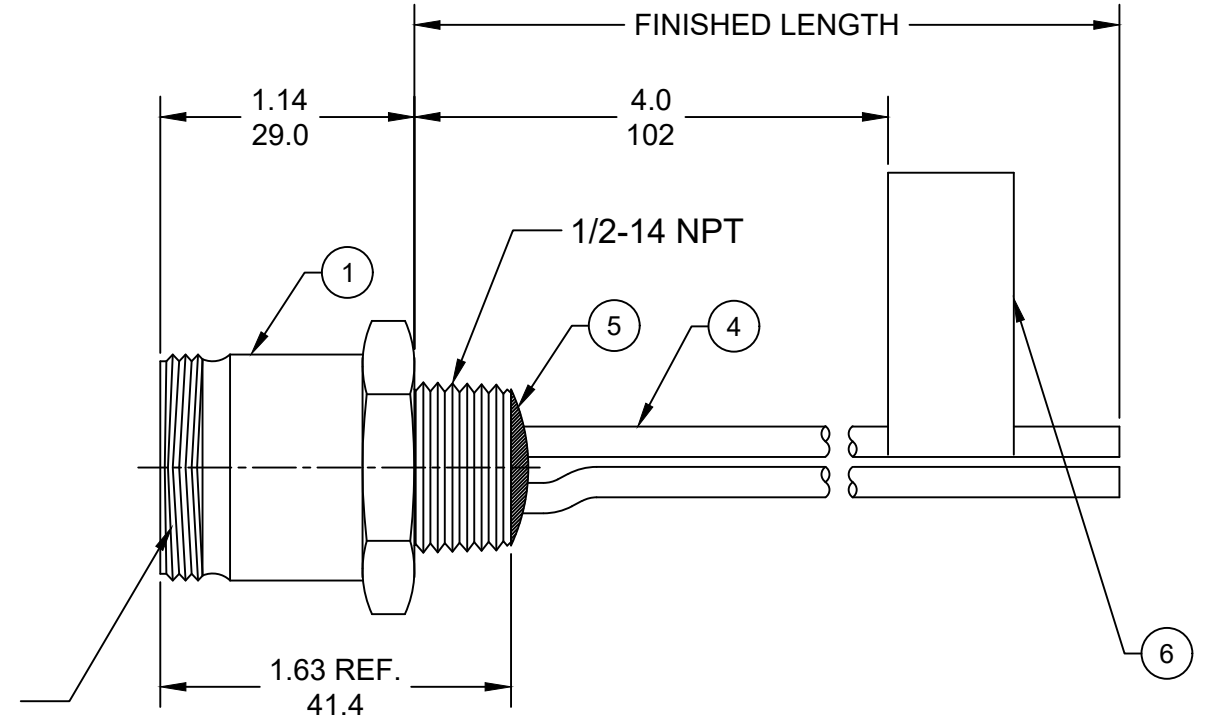
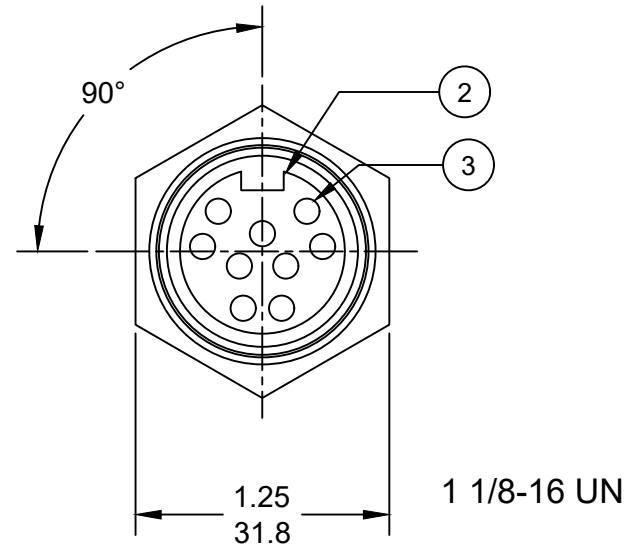
WAS 3.00	EC NO: MNA2010-0101	DRWNR: STONE	2009/08/17
	CHKD: B. WOODMAN	APPR: J. MURPHY	2009/08/21
	DESCRIPTION		

QUALITY SYMBOLS	GENERAL TOLERANCES (UNLESS SPECIFIED)	
	mm	INCH
▽=0	4 PLACES ± .005	± .005
▽=0	3 PLACES ± .005	± .005
	2 PLACES ± .005	± .01
	1 PLACE ± 0.3	± .005
	ANGULAR ± 1/2°	
	DRAFT WHERE APPLICABLE MUST REMAIN WITHIN DIMENSIONS	

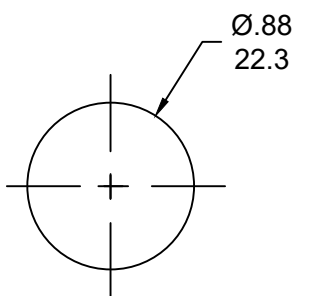
DIMENSION STYLE		SCALE	DESIGN UNITS	THIRD ANGLE PROJECTION
IN/MM		1:1	INCH	
DRAWN BY	DATE	TITLE		
R. STONE	2009/03/26	MC RECEPTACLE, FEMALE 9 POLE, 1/2" NPT		
CHECKED BY	DATE	MATERIAL NO.		
B. WOODMAN	2009/03/27	SEE CHART		
APPROVED BY	DATE	DOCUMENT NO.		
J. MURPHY	2009/03/31	SD-130015-002		
SIZE		SHEET NO.		
C		1 OF 1		

THIS DRAWING CONTAINS INFORMATION THAT IS PROPRIETARY TO MOLEX INCORPORATED AND SHOULD NOT BE USED WITHOUT WRITTEN PERMISSION

FACE VIEW-FEMALE INSERT		
1 ORANGE 2 BLUE 3 RED/BLACK 4 GREEN/BLACK 5 WHITE 6 RED 7 GREEN/YELLOW 8 WHITE/BLACK 9 BLACK	1 ORANGE 2 BLUE 3 WHITE/BLACK 4 RED/BLACK 5 GREEN/BLACK 6 ORANGE/BLACK 7 RED 8 GREEN/YELLOW 9 BLACK 10 WHITE	1 ORANGE 2 BLUE 3 WHITE/BLACK 4 RED/BLACK 5 GREEN/BLACK 6 ORANGE/BLACK 7 BLUE/BLACK 8 BLACK/WHITE 9 GREEN/YELLOW 10 RED 11 WHITE 12 BLACK



PART NO	ENGINEERING NO.	FINISHED LENGTH
1300150117	3R9004A20A120	12 IN [0.3M]
1300150038	3R1004A20F100	10 FT [3.0M]
1300150001	3R2004A20M060	6.0M [19 FT 8 IN]



REF. KNOCKOUT HOLE

PART NO. MATRIX

3R1004A20F010

POLES  
 9= 9 POLES  
 1=10 POLES  
 2=12 POLES

LENGTH:

A120= 12 INCHES  
 F001= .1 FT  
 F020= 2 FT  
 F200= 20 FT

M005= 0.5 METER  
 M010= 1 METER  
 M100= 10 METER

CABLE LENGTH TOLERANCES	
>.3M [1FT]:	+19mm-0 [+1.75in-0]
.3 - .9M [1 - 3FT]:	+44.5mm-0 [+1.75in-0]
.9 - 1.8M [3 - 6FT]:	+55.6mm-0 [+2.19in-0]
1.8 - 3.7M [6 - 12FT]:	+88.9mm-0 [+3.50in-0]
3.7 - 7.3M [12 - 24FT]:	+165.1mm-0 [+6.50in-0]
7.3-14.6M [24 - 48FT]:	+317.5mm-0 [+12.50in-0]
14.6 - 30.5M [48-100FT]:	+622.3mm-0 [+24.50in-0]
OVER 30M [100FT]	+2% OF FINISHED LENGTH

- NOTES:
- MATERIAL: AS NOTED
  - FINISH: AS NOTED
  - ELECTRICAL:  
 VOLTAGE: 320V PER IEC60664  
 600V PER UL2238  
 CURRENT: 9 POLE: 7A  
 10 POLE: 7A  
 12 POLE: 5A
  - TEMP RATING: -20°TO +105°C
  - PROTECTION: IP67 (WHEN MATED)
  - UL RECOGNIZED, FILE: E152210  
 CSA CERTIFIED, FILE: LR6837
  - ALL DIMENSIONS ARE FOR REFERENCE UNLESS TOLERANCED OR NOTED OTHERWISE

ITEM	DESCRIPTION	MATERIAL	FINISH
6	FLAG LABEL	VINYL	BLACK/YELLOW
5	POTTING MATERIAL	EPOXY	
4	WIRE, 16 AWG UL (1015)	PVC INSULATION	SEE CHART
3	CONTACT SOCKET	COPPER ALLOY	GOLD PLATED
2	FEMALE INSERT (C-SIZE)	TPE	YELLOW
1	RECEPTACLE SHELL	ZINC DIE-CAST	BLACK

DOCUMENT STATUS P1 RELEASE DATE 2020/07/27 17:35:18

FUNCTIONAL SYMBOLS	THIS DRAWING CONTAINS INFORMATION THAT IS PROPRIETARY TO MOLEX ELECTRONIC TECHNOLOGIES, LLC AND SHOULD NOT BE USED WITHOUT WRITTEN PERMISSION			
	DIMENSION UNITS	SCALE		
DIVISIONAL SYMBOLS	INCH/MM	NTS	CURRENT REV DESC: ITEM #2 WAS PVC, ADDED CSA IN NOTES AND MODIFIED MATERIAL TABLE	
	GENERAL TOLERANCES (UNLESS SPECIFIED)		EC NO: 641453	
FUNCTIONAL SYMBOLS	4 PLACES	±----	DRWN: ABENJAMINLW	2020/06/25
	3 PLACES	±----	CHK'D: RSTONE	2020/07/20
	2 PLACES	±----	APPR: BWOODMAN	2020/07/27
	1 PLACE	±----	INITIAL REVISION:	
DIVISIONAL SYMBOLS	0 PLACES	±----	DRWN: RSTONE	2016/07/11
	ANGULAR TOL ± 2.0 °	±----	APPR: TWOLDEGE	2016/08/19
DRAFT WHERE APPLICABLE MUST REMAIN WITHIN DIMENSIONS		THIRD ANGLE PROJECTION	DRAWING	SERIES
			B-SIZE	130015
			MATERIAL NUMBER	CUSTOMER
			SEE_CHART	GENERAL MARKET
			DOCUMENT NUMBER	DOC TYPE/DOC PART/REVISION
			SD-130015-026	PSD 001 C
				SHEET NUMBER
				1 OF 1