

PLEASE CHECK WWW.MOLEX.COM FOR LATEST PART INFORMATION

Part Number: [0192000013](#)
Status: **Active**
Overview: [Splices](#)
Description: Avikrimp Seamless Butt Splice for 14-16 AWG Wire, Super Duty

Documents:

[Drawing \(PDF\)](#) [RoHS Certificate of Compliance \(PDF\)](#)
[Product Specification PS-19902-011-001 \(PDF\)](#)

General

Product Family	Splices
Series	19200
Comments	Blue, Blue
Crimp Quality Equipment	Yes
Mil-Spec	N/A
Overview	Splices
Product Name	Avikrimp
UPC	756054494226

Physical

Barrel Type	Closed
Color - Resin	Blue
Insulation	Nylon (PA)
Material - Metal	Copper
Material - Plating Mating	Tin
Material - Plating Termination	Tin
Net Weight	736.000/g
Packaging Type	Bag
Temperature Range - Operating	105°C
Wire Insulation Diameter	4.29mm
Wire Size AWG	14, 16

Electrical

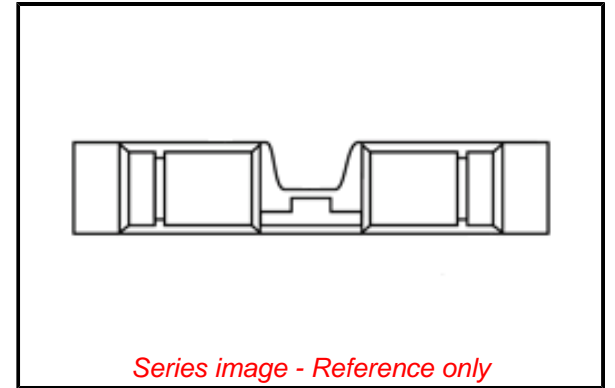
Voltage - Maximum	600V
-------------------	------

Material Info

Engineering Number	BS-831 BAG100
--------------------	---------------

Reference - Drawing Numbers

Product Specification	PS-19902-011-001
Sales Drawing	SD-19200-001



EU ELV

Not Relevant

EU RoHS

Compliant

REACH SVHC

Not Contained Per -
ED/108/2014 (17 Dec
2014)

Halogen-Free

Status

Low-Halogen

For more information, please visit [Contact US](#)

China ROHS

Not Relevant

ELV

Not Relevant

RoHS Phthalates

Not Contained

Search Parts in this Series

[19200 Series](#)