

# XUYFRS120S

Photoelectric sensors XU, XUV, frame,  
200X120mm, 12...24 VDC, M12

## Main

|                                       |   |
|---------------------------------------|---|
| Range of Product                      | Telemecanique Photoelectric sensors XU  |
| Series name                           | Application material handling   |
| Electronic sensor type                | Photo-electric sensor   |
| Sensor name                           | XUY   |
| Sensor design                         | Frame   |
| Detection system                      | Thru beam   |
| Emission                              | Infrared  |
| Way dimensions of optical frame       | 200 x 120 mm  |
| Material                              | Metal   |
| Supply circuit type                   | DC  |
| Wiring Technique                      | 4-wire  |
| Discrete output type                  | PNP or NPN  |
| Discrete output function              | 1 NO or 1 NC programmable   |
| Electrical connection                 | 1 male connector M12, 4 pins  |
| Product Specific Application          | Dynamic detection of passage of objects<br>Static detection of passage of objects             |
| Minimum object diameter for detection | Dynamic mode 0.39 in (10 mm) 0.33...229.66 ft/s (0.1...70 m/s)<br>Static mode 0.59 in (15 mm) |

## Complementary

|                           |  |
|---------------------------|--|
| Enclosure Material        | Painted aluminium                                |
| Lens material             | Altuglass  |
| Type of output signal     | Discrete   |
| Output Type               | Solid state                                      |
| Status LED                | Alarm 1 LED red)<br>Output state 1 LED amber)    |
| [Us] rated supply voltage | 24 V DC reverse polarity protection              |
| Supply voltage limits     | 18...30 V DC                                     |
| Switching capacity in mA  | <= 100 mA overload and short-circuit protection) |
| Switching frequency       | > 5000 Hz  |
| Maximum voltage drop      | <2 V closed state)                               |
| Current consumption       | <= 150 mA no-load                                |
| Time delay range          | 0...5 s off-delay                                |
| Maximum delay first up    | 100 ms   |
| Maximum delay recovery    | 0.1 ms   |
| Setting-up                | Sensitivity adjustment with potentiometer        |
| Depth                     | 0.98 in (25 mm)                                  |
| Height                    | 9.06 in (230 mm)                                 |
| Width                     | 8.07 in (205 mm)                                 |
| Net Weight                | 2.34 lb(US) (1.06 kg)                            |

The information provided in this documentation contains general descriptions and/or technical characteristics of the performance of the products contained herein. This documentation is not intended as a substitute for and is not to be used for determining suitability or reliability of these products for specific user applications. It is the duty of any such user or integrator to perform the appropriate and complete risk analysis, evaluation and testing of the products with respect to the relevant specific application or use thereof. Neither Schneider Electric Industries SAS nor any of its affiliates or subsidiaries shall be responsible or liable for misuse of the information contained herein.

## Environment

|                                       |   |
|---------------------------------------|---|
| Product Certifications                | CE<br>cULus   |
| Ambient Air Temperature for Operation | 32...140 °F (0...60 °C)                               |
| Ambient Air Temperature for Storage   | -4...176 °F (-20...80 °C)                             |
| Immunity to ambient light             | 3000 Lux incandescent bulb<br>10000 lux natural light |
| Vibration resistance                  | 25 gn +/- 2 mm 10...55 Hz) IEC 60068-2-6              |
| Shock resistance                      | 30 gn 11 ms) IEC 60068-2-27                           |
| IP degree of protection               | IP65 IEC 60529  |

## Ordering and shipping details

|                       |                              |
|-----------------------|------------------------------|
| Category              | 22481-SENSORS, PHOTOELECTRIC |
| Discount Schedule     | DS2                          |
| GTIN                  | 3389119009539                |
| Nbr. of units in pkg. | 1                            |
| Package weight(Lbs)   | 2.94 lb(US) (1.334 kg)       |
| Returnability         | No                           |
| Country of origin     | FR                           |

## Packing Units

|                              |                         |
|------------------------------|-------------------------|
| Unit Type of Package 1       | PCE                     |
| Package 1 Height             | 1.77 in (4.5 cm)        |
| Package 1 width              | 9.65 in (24.5 cm)       |
| Package 1 Length             | 16.34 in (41.5 cm)      |
| Unit Type of Package 2       | S04                     |
| Number of Units in Package 2 | 6                       |
| Package 2 Weight             | 20.41 lb(US) (9.256 kg) |
| Package 2 Height             | 11.81 in (30 cm)        |
| Package 2 width              | 15.75 in (40 cm)        |
| Package 2 Length             | 23.62 in (60 cm)        |

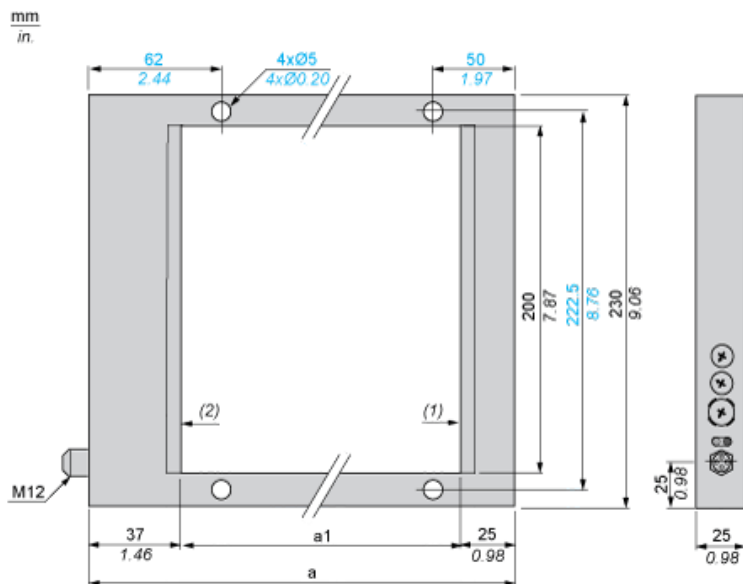
## Offer Sustainability

|                            |   |
|----------------------------|---|
| California proposition 65  | WARNING: This product can expose you to chemicals including: Diisononyl phthalate (DINP), which is known to the State of California to cause cancer, and Di-isodecyl phthalate (DIDP), which is known to the State of California to cause birth defects or other reproductive harm. For more information go to <a href="http://www.P65Warnings.ca.gov">www.P65Warnings.ca.gov</a> |
| REACH Regulation           | <a href="#">REACH Declaration</a>   |
| EU RoHS Directive          | Pro-active compliance (Product out of EU RoHS legal scope) <a href="#">EU RoHS Declaration</a>  |
| Mercury free               | Yes   |
| RoHS exemption information | <a href="#">Yes</a>   |

## Contractual warranty

|          |           |
|----------|-----------|
| Warranty | 18 months |
|----------|-----------|

Dimensions



- (1) Transmitting face
- (2) Reception face

Dimensions in mm

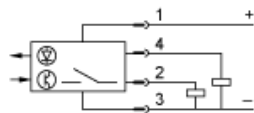
|     |     |
|-----|-----|
| a   | a1  |
| 182 | 120 |

Dimensions in in.

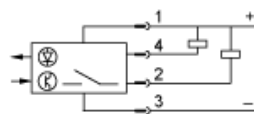
|      |      |
|------|------|
| a    | a1   |
| 7.17 | 4.72 |

## Wiring Schemes (4-Wire DC)

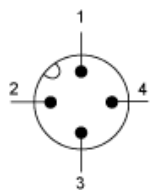
### PNP Output



### NPN Output



### Connector Scheme



- 1: +
- 2: Not connected
- 3: -
- 4: Output