

VXB1 Microprocessor Crystals

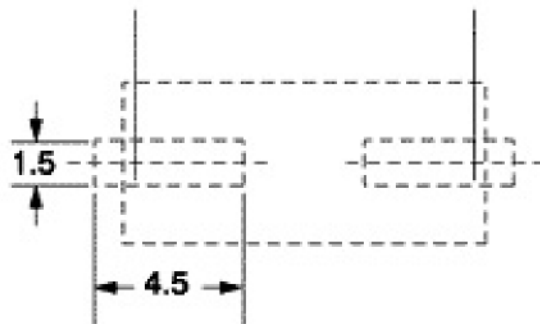
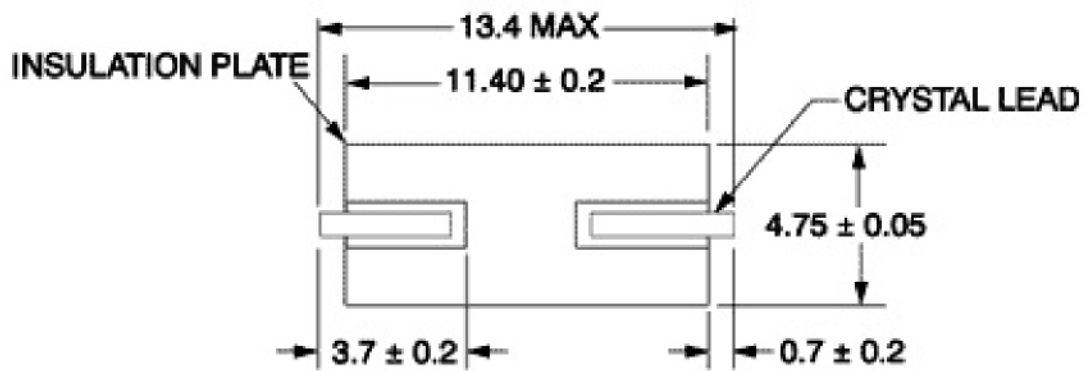
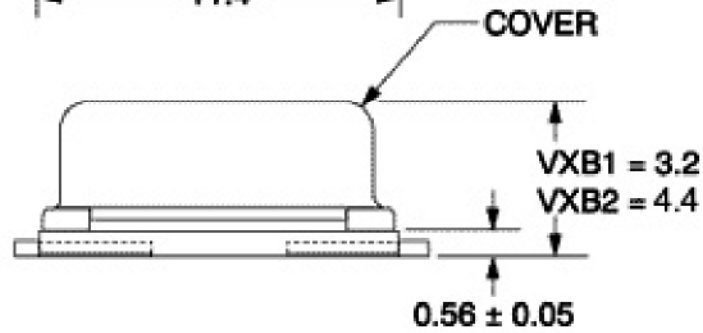
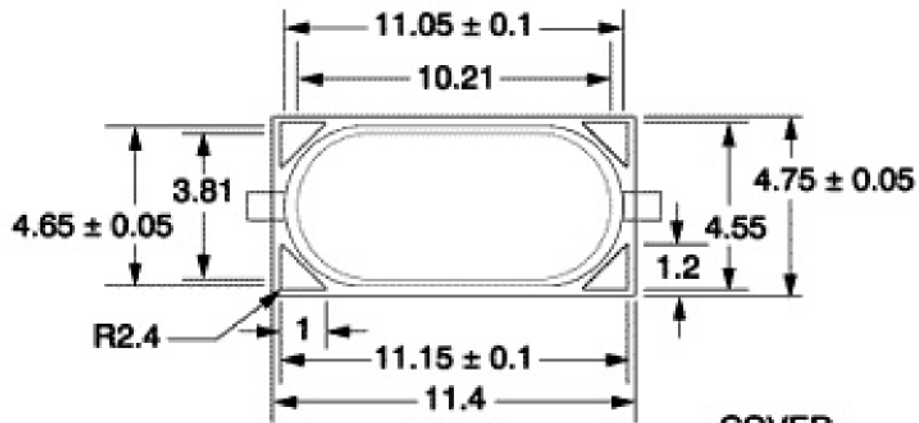
Package Options	B1 = 3.2 mm tall surface mount
Frequency Range	3.5 MHz to 75.00 MHz
Standard Frequencies	See Standard Frequency Table
Mode	1 = Fundamental (3.5 to 30 MHz) 3 = 3 rd Overtone (24.1 to 75 MHz)
Stability Options	A = ±100 PPM -20°C to +70°C B = ±50 PPM -20°C to +70°C C = ±100 PPM -40°C to +85°C D = ±50 PPM -40°C to +85°C F = ±30 PPM -20°C to +70°C
Load Capacitance	0 = Series Resonant 1 = 16 pF 2 = 20 pF 3 = 32 pF 4 = 18 pF 5 = 10 pF 6 = 30 pF
STD Calibration Tolerance	±25 PPM at +25°C Tolerances to ±10 PPM are available
Equivalent Series Resistance	See ESR Table II
Shunt Capacitance	7 pf Maximum
Drive Level	10 to 2,000 uW
Crystal Aging	<5 ppm/1 st year
Standard Packaging	Tape & Reel (1000 pc minimum)
Typical P/N	VXB1-3A2-56M448



B1 = 3.2 mm tall package
3 = 3rd Overtone
A = ±100 PPM -20°C to +70°C
2 = 20 pF load

[Generate your own part number!](#)

We welcome your custom requests and will issue a custom part number for items that are not listed.



Recommended soldering pattern