

NOTES:

1.0 ELECTRICAL SPECIFICATIONS:

1.1 FREQUENCY RANGE: DC to 18.0 GHz

1.2 IMPEDANCE: 50 OHMS NOM.

1.3 INSERTION LOSS:

DC to 10.0 GHz: 6.0 ^{+1.2}_{-0.2} dB
 10.0 to 18.0 GHz: 6.0 ^{+1.5}_{-0.2} dB

1.4 VSWR MAX.:

DC to 10.0 GHz: 1.25:1 MAX.
 10.0 to 18.0 GHz: 1.35:1 MAX.

1.5 ASYMMETRY:

DC to 4.0 GHz: 0.2dB MAX.
 4.0 to 10.0 GHz: 0.4dB MAX.
 10.0 to 18.0 GHz: 0.5dB MAX.

1.6 AVG. INPUT POWER: 1 WATT MAX.

1.7 OPERATING TEMP. RANGE:
 -55°C to +125°C

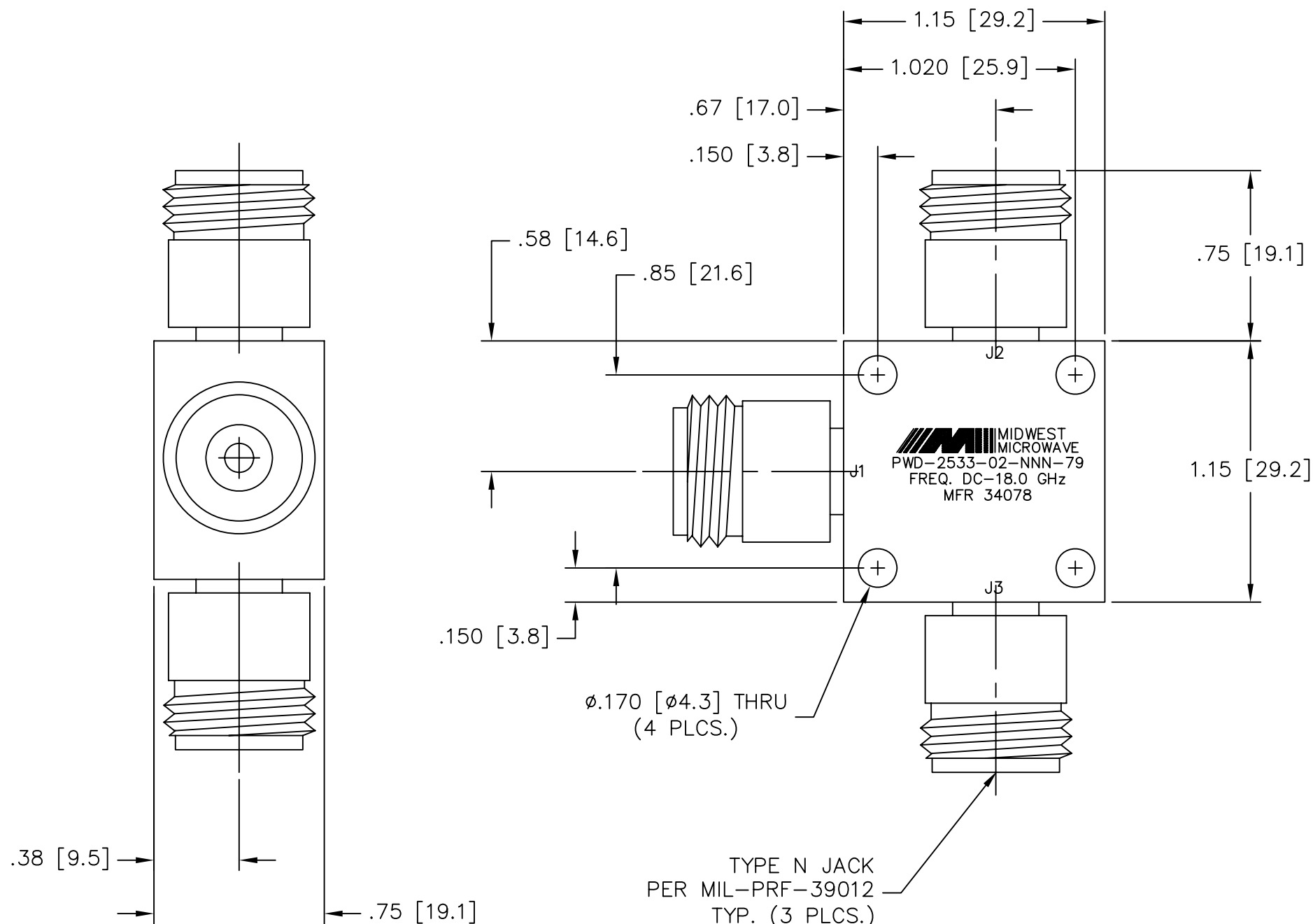
2.0 FINISH

2.1 GREY PER MIL-E-15090 TYPE II, CLASS 2
 OVER MIL-C-5541 CLASS 3A
 MEETS MIL-F-14072
 MEETS MIL-E-5400

3.0 MARKING: MARK UNIT AS SHOWN.

SLK-08142-82-01

4.0 DIMENSIONS IN PARENTHESIS ARE
 IN MILLIMETERS.



MODEL NUMBER	PWD-2533-02-NNN-79
REV.	A

DATE	11/7/03
DATE	1/28/04
DESCRIPTION	RELEASED
DESCRIPTION	ECN 19601
REV.	A

UNLESS OTHERWISE NOTED DIMENSIONS ARE IN INCHES AND TOLERANCES ARE: 3 PLACE DECIMALS ±.005 2 PLACE DECIMALS ±.02 FRACTIONS ±1/64 PARALLELITY: T.I.R. _____ FLATNESS: T.I.R. _____ CONCENTRICITY: T.I.R. _____ ANGLES AND PERPENDICULARITY: ±1°	FSCM NO. 34078	MIDWEST MICROWAVE	
	NOTICE: The information contained in this drawing is proprietary and must not be used without the permission of Midwest Microwave		TITLE POWER DIVIDER
DRAWN/DATE S.ORLOV 11/7/03	ENG./DATE P.GOODMAN 11/7/03	DRAWING NUMBER PWD-2533-02-NNN-79	
CHECKED/DATE	APPROVED/DATE	SCALE: 2=1	SHEET 1 of 1