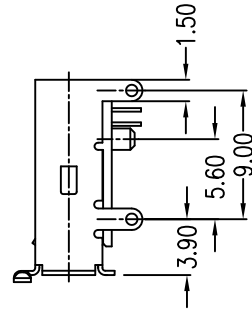
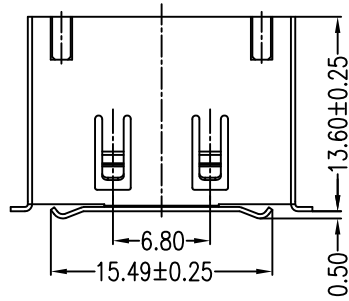


This document is the property of Amphenol Corporation and is delivered on the express condition that is not to be disclosed, reproduced or used, in whole or in part, for manufacture or sale by anyone other than Amphenol Corporation without its prior consent, and that no right is granted to disclose or to use any information in this document.

The marking on this product doesn't contain environmental hazardous materials per Material Specification 55-00259 for Sony GP compliant or per directive 2011/65/EU for RoHS compliant.

FOR REFERENCE ONLY

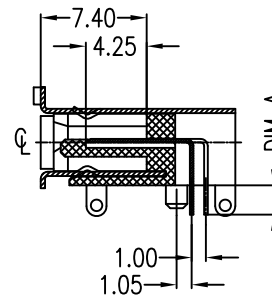
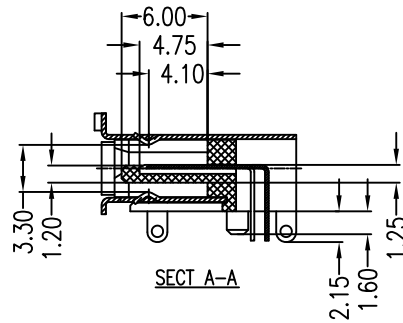
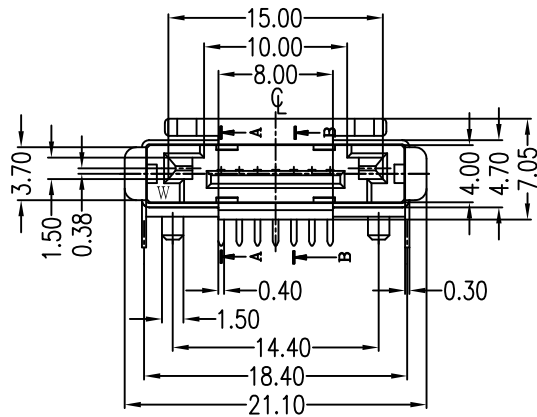
REVISIONS				
SYM	ECN No.	DESCRIPTION	DATE	APPROVED
AX1	EDSR#7029	NON-RELEASE TO PRODUCTION	01/17/2017	Arron Lin



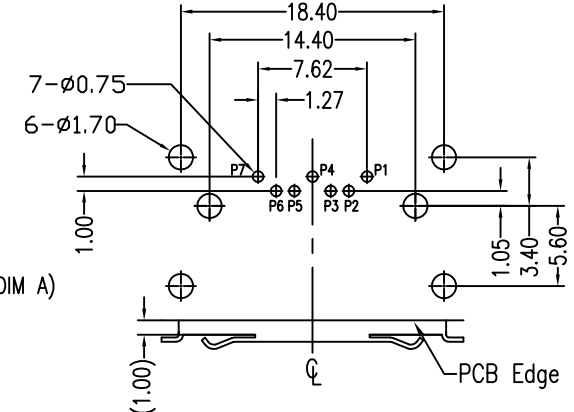
Signal Name	
Pin Number	eSATA
S1	GND
S2	A+
S3	A-
S4	GND
S5	B-
S6	B+
S7	GND

NOTES:

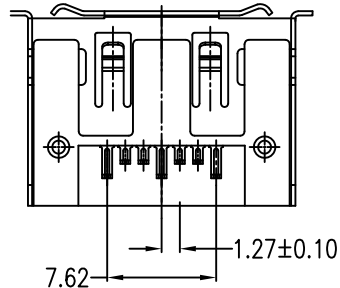
- MATERIAL:
HOUSING: HIGH TEMPERATURE THERMAL PLASTIC, OPTION, UL94V-0,
COLOR: OPTION
TERMINAL: COPPER ALLOY.
SHELL: COPPER ALLOY.
- FINISH:
TERMINAL:
CONTACT AREA: SELECTED GOLD PLATING;
SOLDERING AREA: MATTE TIN PLATING 100 μ" THICKNESS MIN.;
UNDER PLATING: NICKEL PLATING 50 μ" THICKNESS MIN. OVERALL.
SHELL:
NICKEL PLATING 50 μ" MINIMUM OVERALL
- THIS PRODUCT DOESN'T CONTAIN ENVIRONMENTAL HAZARDOUS PER DIRECTIVE 2011/65/EU FOR RoHS COMPLIANT.



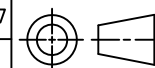
PART NO. G0911 X 23 X 1 X AWHR
 CONTACT FINISH
 0: GOLD FLASH
 4: 30 μ" GOLD
 5: 15 μ" GOLD
 HOUSING, COLOR
 0: LCP, BLACK
 TERMINAL LENGTH(DIM A)
 2: 2.05MM
 3: 3.10MM



P.C.B. RECOMMENDED LAYOUT (T=1.60mm)
 GENERAL TOLERANCE ±0.05



TOLERANCE	APPROVALS	DATE	TITLE	UNIT	SIZE	PART No.
X. ±0.30	DRAWN Sandy Wu	01/17/2017	G09 SERIES SATA II CONN. PLUG, 7-POS., R/A, DIP TYPE	mm	A3	G0911X23X1XAWHR
X.X ±0.20	CHECKED Roger Tsai	01/17/2017				
X.XX ±0.10	APPROVED Arron Lin	01/17/2017	UNLESS OTHERWISE SPECIFIED	SCALE NA	SHEET 1 OF 2	DWG No. G0911X23X1XAWHR
ANGULAR ±1°	DWG TYPE CUST DWG	PROJECT CODE SKT		REV. AX1		

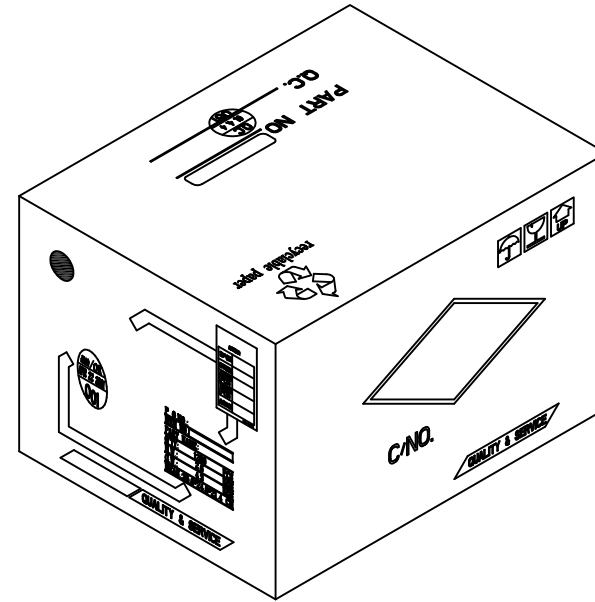
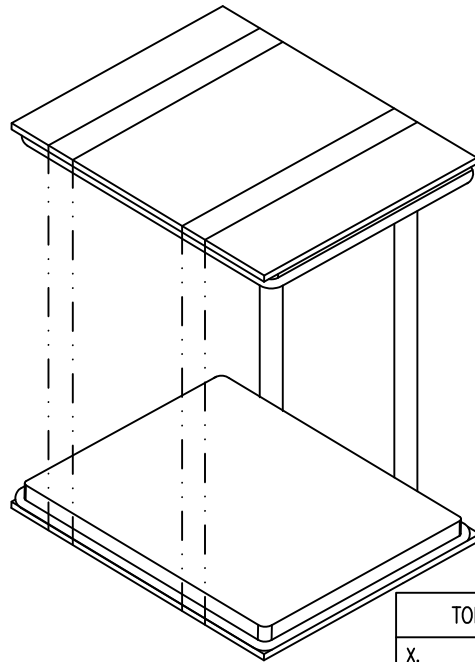
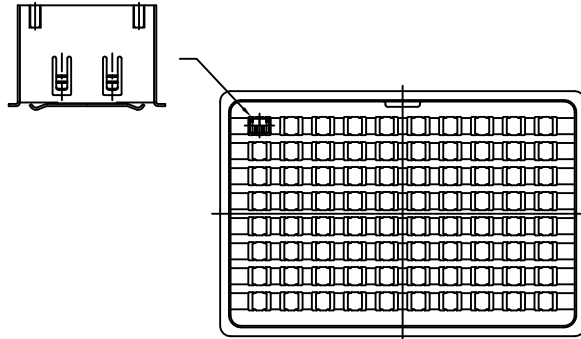


This document is the property of Amphenol Corporation and is delivered on the express condition that is not to be disclosed, reproduced or used, in whole or in part, for manufacture or sale by anyone other than Amphenol Corporation without its prior consent, and that no right is granted to disclose or to use any information in this document.

The marking on this product doesn't contain environmental hazardous materials per Material Specification 5S-00259 for Sony GP compliant or per directive 2011/65/EU for RoHS compliant.

REVISIONS				
SYM	ECN No.	DESCRIPTION	DATE	APPROVED
AX1	EDSR#7029	NON-RELEASE TO PRODUCTION	01/17/2017	Arron Lin

FOR REFERENCE ONLY



G0911X23X1XAWHR	80	15	1200	2.6	4.3
PN	TRAY /PCS	CARTON /TRAY	CARTON /PCS	N.W(Kg)	G.W(Kg)

TOLERANCE	APPROVALS	DATE	TITLE		PART No.	
X.	DRAWN Sandy Wu	01/17/2017	G09 SERIES SATA II CONN. PLUG, 7-POS., R/A, DIP TYPE		Amphenol® Amphenol Corporation Amphenol Taiwan Corporation	
X.X ±0.30	CHECKED Roger Tsai	01/17/2017				
X.XX ±0.20	APPROVED Arron Lin	01/17/2017		UNIT mm	SIZE A3	PART No. G0911X23X1XAWHR
X.XXX ±0.10	DWG TYPE CUST DWG	PROJECT CODE SKT		SCALE NA	SHEET 2 OF 2	
ANGULAR ±1°	UNLESS OTHERWISE SPECIFIED					